



Chipsmall Limited consists of a professional team with an average of over 10 year of expertise in the distribution of electronic components. Based in Hongkong, we have already established firm and mutual-benefit business relationships with customers from,Europe,America and south Asia,supplying obsolete and hard-to-find components to meet their specific needs.

With the principle of “Quality Parts,Customers Priority,Honest Operation,and Considerate Service”,our business mainly focus on the distribution of electronic components. Line cards we deal with include Microchip,ALPS,ROHM,Xilinx,Pulse,ON,Everlight and Freescale. Main products comprise IC,Modules,Potentiometer,IC Socket,Relay,Connector.Our parts cover such applications as commercial,industrial, and automotives areas.

We are looking forward to setting up business relationship with you and hope to provide you with the best service and solution. Let us make a better world for our industry!



## Contact us

Tel: +86-755-8981 8866 Fax: +86-755-8427 6832

Email & Skype: info@chipsmall.com Web: www.chipsmall.com

Address: A1208, Overseas Decoration Building, #122 Zhenhua RD., Futian, Shenzhen, China



NOTES:

1. DO NOT SCALE THIS DRAWING.

2. UNLESS OTHERWISE SPECIFIED:

- A. HOLES, SLOTS AND DIAMETERS TO BE PARALLEL AND CONCENTRIC WITHIN .08 T.I.R.
- B. REMOVE ALL BURRS, BREAK ALL SHARP EDGES .13 MAX.
- C. SURFACE FINISH TO BE 1.6 MICROMETERS MAX.

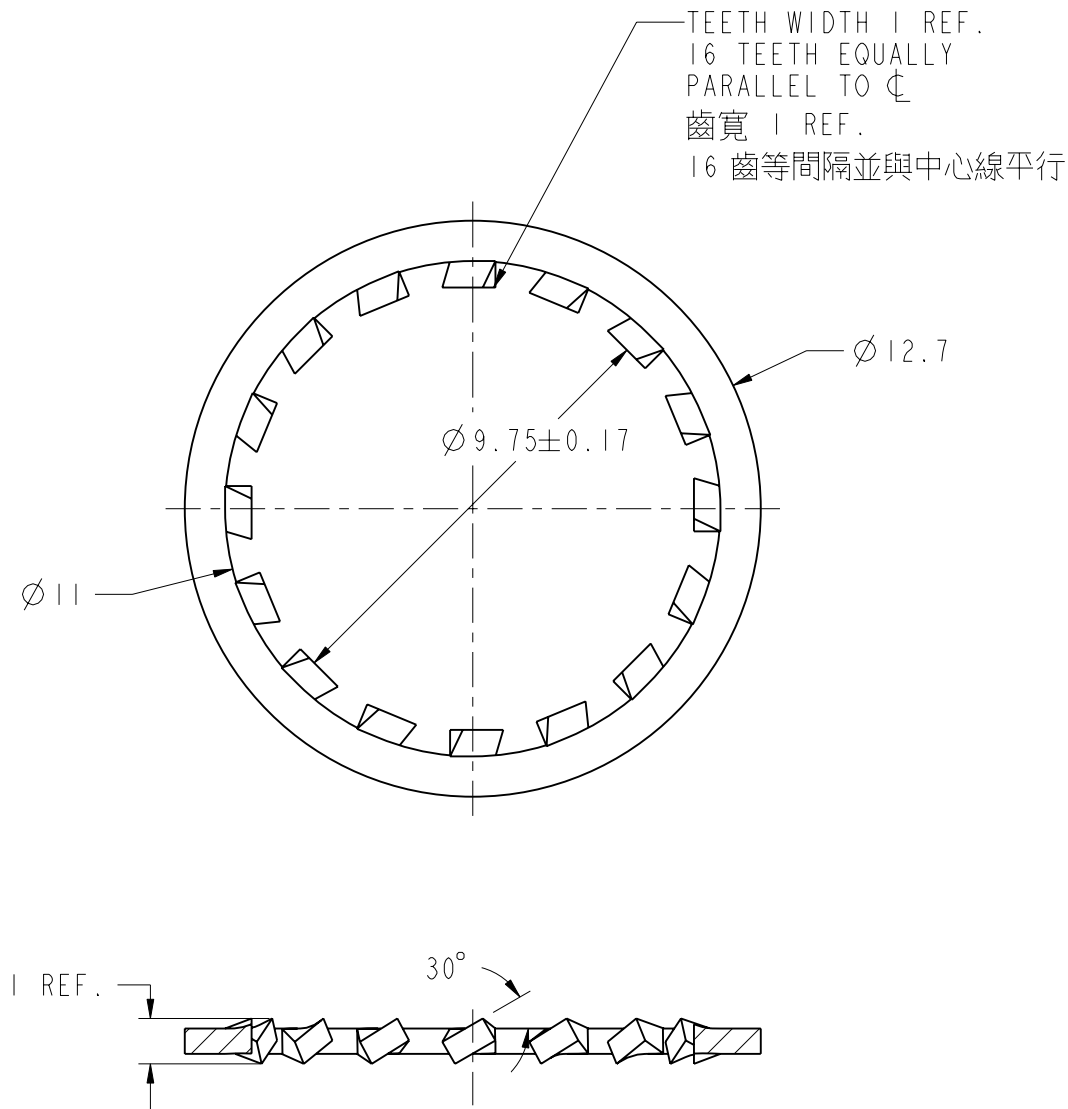
備注:

- 1. 不要直接量測圖面.
- 2. 除非特別標示, 則:
  - A. 孔, 槽和外徑的同心度之總偏轉讀數最大0.08
  - B. 去除所有銳角C0.13 以下.
  - C. 表面粗糙度 Ra:3.2

THIRD ANGLE PROJ.

REVISIONS

REV	DESCRIPTION	DATE	ECO	APPR
A	RELEASE TO MFG.	17-Nov-05		SH
L	UPDATE MATERIAL SPEC.\VRD-DMI0081801S4	24-Aug-10	48246	SH



SCALE 3.000

SURFACE AREA = 140.774 SQ. MM.  
VOLUME = 23.841 CU. MM.

UNLESS OTHERWISE SPECIFIED, DIMENSIONS ARE IN METRIC AND TOLERANCES ARE:  
 <0.5mm ±0.05mm    0.5 - 6mm ±0.1mm    6 - 30mm ±0.2mm    30 - 120mm ±0.3mm    ANGLES ±1°

NOTICE - These drawings, specifications, or other data (1) are, and remain the property of Amphenol corp. (2) must be returned upon request; and (3) are confidential and not to be disclosed to any person other than those to whom they are given by Amphenol Corp. the furnishing of these drawings, specifications, or other data by Amphenol Corp., or to any other person to anyone for any purpose is not to be regarded by implication or otherwise in any manner licensing, granting rights to permitting such holder or any other sperson to manufacture, use or sell any product, process or design, patented or otherwise, that may in any way be related to or disclosed by said drawings, specifications, or other data.

MATERIAL  
PHOSPHOR BRONZE  
JIS H3110-2006 C5191,H

REFERENCE AND CONFIGURATION LEVEL:  
FINISH PER KAI JACK SPEC.EP-SS-9700

DRAWN  
S.LI

ENGINEER  
C.MCGRATH

APPROVED  
S.HSIEH

CAD FILE  
I:\Hard\5579

DATE  
23-Aug-10

DATE  
17-Dec-92

DATE  
24-Aug-10

TITLE  
LOCK WASHER

SCALE: 6.0:1.0

SHEET 1 OF 1

DWG SIZE  
B

REV  
L

**Amphenol RF**  
Danbury CT USA, Tainan, Taiwan, Shenzhen, China  
www.amphenolrf.com

DRAWING NO. 5579

ITEM NO. 5579L

PART NO. 5579