



Chipsmall Limited consists of a professional team with an average of over 10 year of expertise in the distribution of electronic components. Based in Hongkong, we have already established firm and mutual-benefit business relationships with customers from,Europe,America and south Asia,supplying obsolete and hard-to-find components to meet their specific needs.

With the principle of “Quality Parts,Customers Priority,Honest Operation,and Considerate Service”,our business mainly focus on the distribution of electronic components. Line cards we deal with include Microchip,ALPS,ROHM,Xilinx,Pulse,ON,Everlight and Freescale. Main products comprise IC,Modules,Potentiometer,IC Socket,Relay,Connector.Our parts cover such applications as commercial,industrial, and automotives areas.

We are looking forward to setting up business relationship with you and hope to provide you with the best service and solution. Let us make a better world for our industry!



Contact us

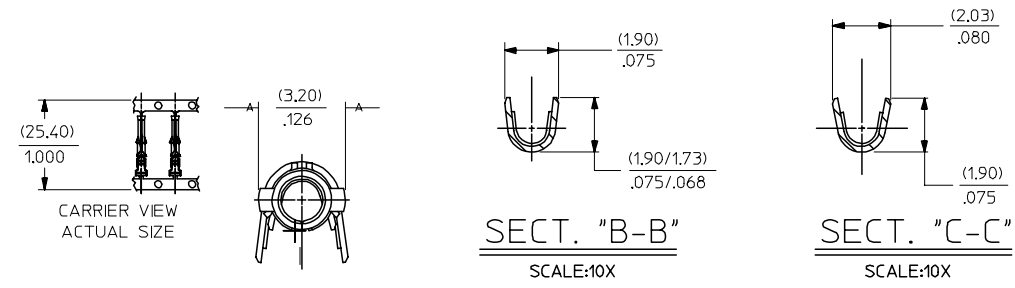
Tel: +86-755-8981 8866 Fax: +86-755-8427 6832

Email & Skype: info@chipsmall.com Web: www.chipsmall.com

Address: A1208, Overseas Decoration Building, #122 Zhenhua RD., Futian, Shenzhen, China



PART NO.	ENG. NO.	
02-06-1131	1855-(P901)	
02-06-1132	1855-(P901)IL	
02-06-5137	1855-(P591)	OBSOLETE
02-06-5136	1855-(P591)IL	OBSOLETE
02-06-5138	1855-(P561)	
02-06-5139	1855-(P561)IL	
02-06-5130	1855-(P550)	
02-06-5135	1855-(P550)IL	
02-06-5147	1855-(P228)	
02-06-5148	1855-(P228)IL	
02-06-1141	1855-1(P901)	
NOT TOOLED	1855-1(P901)IL	
02-06-1143	1855-(P901)11	



LEGEND

1855-*(****)*

BLANK=WITH LOCKING TABS
1=WITHOUT LOCKING TABS

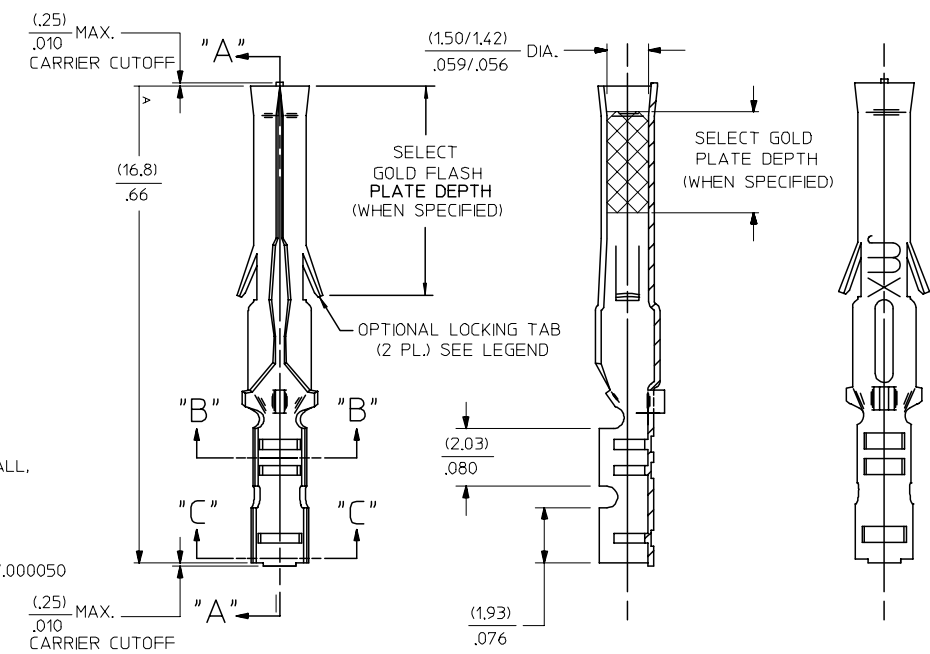
P=PREPLATE
BLANK=POSTPLATE

FORM
BLANK=CHAIN
1=CHAIN WITH INTERLEAF
PAPER ON REEL.
L=LOOSE

FINISH CODE

NOTES:

- MATERIAL: BRASS
- FINISHES:
 - 901 HOT TIN DIP (.00051)/.000020 MIN.
 - * 228 SELECT GOLD PLATE (.00075)/.000030 MIN. IN CONTACT AREA, SELECT TIN (.00250)/.000100 MIN. IN CRIMP AREA OVER (.00125)/.000050 MIN. NICKEL OVERALL, WITH .000010/(0.00025) MAX. SELECT GOLD FLASH IN AREA INDICATED.
 - 561 SELECT GOLD PLATE (.00076)/.000030 MIN. IN CONTACT AREA, (.00127)/.000050 MIN. NICKEL OVERALL.
 - 591 SELECT GOLD PLATE (.00127)/.000050 MIN. IN CONTACT AREA, OVER (.00127)/.000050 MIN. NICKEL OVERALL WITH (.00025)/.000010 MAX. GOLD FLASH OVERALL.
 - 550 SELECT GOLD PLATE (.00038)/.000015 MIN. IN CONTACT AREA, OVER (.00076)/.000030 MIN. NICKLE OVERALL WITH (.00025)/.000010 MAX. GOLD FLASH OVERALL.
- THE PRIMARY SHIPPING CARTON WILL BE LABELED, *COMPLIANT TO RoHS DIRECTIVE 2002/95/EC AND ELV ANNEX II OF DIRECTIVE 2000/53/EC THIS LABEL MAY CONTAIN PRODUCT WITH TIN-LEAD.
- PRODUCT SPECIFICATION: PS-02-0-6
- PACKAGE INFORMATION: NOT AVAILABLE
- TERMINAL FOR USE WITH (1.57)/.062 DIA. SERIES HOUSINGS AND WILL ACCEPT 24 THRU 30 AWG WIRE WITH (1.02/2.29)/.040/.090 INSULATION DIAMETER.



AP	REVISE Sn/Pb PLATE REDRAWN TO ME10 UCR2004-2097 5/07/04 RHOLTS
AN	OBSOLETE P/N UCR2002-0270 COMERCI 01/9/28
AM1	OBSOLETE -P575J & -P575AL ECR UG 0558 GC3/15/95 RW
AM	REV. AND REDRAWN PER ECR 10372 GEP 6-17-87 RW

REV. MATL. SPEC/STAT TO ME10 EC NO: UICP2004-2097 DRAWN/RHOLTS 2004/05/14 CHKD: 2004/05/14 APPR: FSMITH 2004/05/18	QUALITY SYMBOLS ▽=0 ▽=0	GENERAL TOLERANCES (UNLESS SPECIFIED)		SCALE 8:1	DESIGN UNITS INCH	THIRD ANGLE PROJECTION	REVISE ON CAD ONLY				
		mm	INCH	DIMENSION STYLE IN/MM	TITLE						
AP	▽=0	4 PLACES ±.005	±.005	DRAWN BY GEP	DATE 1987/09/17	MOLEX	CRIMP TERMINAL, FEMALE (1.57)/.062 DIA., BRASS FOR 24 THRU 30 GA. WIRE				
		3 PLACES ±.01	±.01				CHECKED BY RW	DATE 1987/09/17	MOLEX INCORPORATED		
		2 PLACES ±0.25	±.014				APPROVED BY RAS	DATE 1987/09/17	MATERIAL NO. SEE CHART	DOCUMENT NO. SD-1855-*	SHEET NO. 1 OF 1
		1 PLACE ±0.35	±.01				DRAFT WHERE APPLICABLE MUST REMAIN WITHIN DIMENSIONS				
		ANGULAR ±1/2°				THIS DRAWING CONTAINS INFORMATION THAT IS PROPRIETARY TO MOLEX INCORPORATED AND SHOULD NOT BE USED WITHOUT WRITTEN PERMISSION					