

Chipsmall Limited consists of a professional team with an average of over 10 year of expertise in the distribution of electronic components. Based in Hongkong, we have already established firm and mutual-benefit business relationships with customers from,Europe,America and south Asia,supplying obsolete and hard-to-find components to meet their specific needs.

With the principle of “Quality Parts,Customers Priority,Honest Operation,and Considerate Service”,our business mainly focus on the distribution of electronic components. Line cards we deal with include Microchip,ALPS,ROHM,Xilinx,Pulse,ON,Everlight and Freescale. Main products comprise IC,Modules,Potentiometer,IC Socket,Relay,Connector.Our parts cover such applications as commercial,industrial, and automotives areas.

We are looking forward to setting up business relationship with you and hope to provide you with the best service and solution. Let us make a better world for our industry!



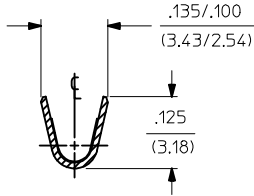
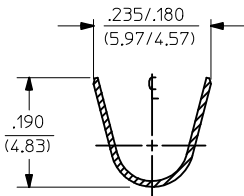
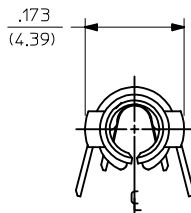
## Contact us

Tel: +86-755-8981 8866 Fax: +86-755-8427 6832

Email & Skype: [info@chipsmall.com](mailto:info@chipsmall.com) Web: [www.chipsmall.com](http://www.chipsmall.com)

Address: A1208, Overseas Decoration Building, #122 Zhenhua RD., Futian, Shenzhen, China

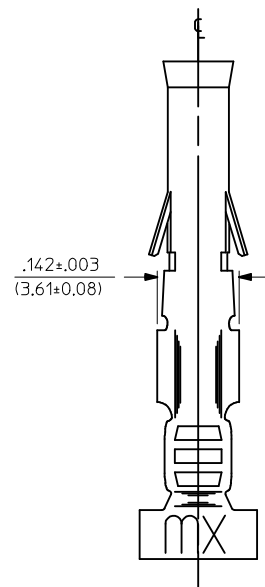
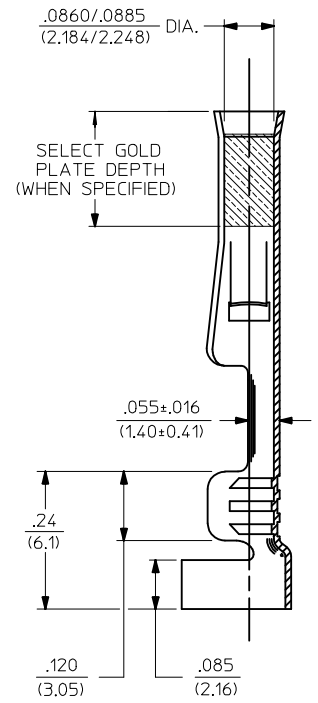
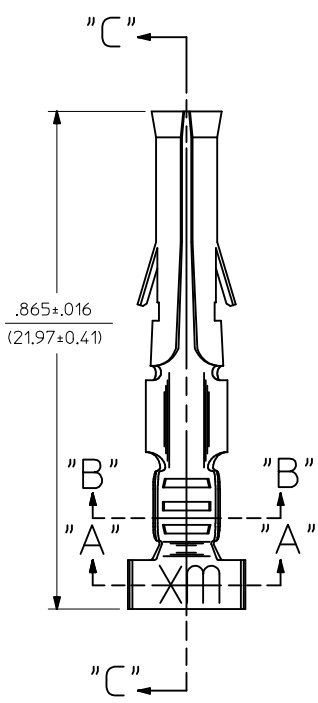
PART NO.	ENG. NO.
02-09-1205	4550-A(P901)
02-09-1206	4550-A(P901)L
02-09-5169	4550-A(P558)
02-09-5170	4550-A(P558)L



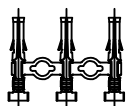
SECTION "A-A"

SECTION "B-B"

**LEGEND**  
 4550-A(\*\*\*\*)\*  
 P=PREPLATE  
 BLANK=POSTPLATE  
 FORM BLANK=CHAIN  
 L=LOOSE  
 FINISH CODE



SECTION "C-C"



CHAIN FORM FULL SCALE

NOTES:

1. MATERIAL: PHOSPHOR BRONZE
2. FINISHES:  
 901 - HOT TIN DIP .000020/(0.00051) MIN.  
 558 - SELECT GOLD PLATE .000030/(0.00076) MIN. IN CONTACT AREA, OVER .000050/(0.00127) MIN. NICKEL OVERALL WITH .000010/(0.00025) MAX. GOLD FLASH.
3. THIS PART CONFORMS TO PROD. SPEC. 02-09.
4. TERMINAL FOR USE WITH .093/(2.36) SERIES HOUSINGS AND WILL ACCEPT 14 THRU 20 AWG WIRE.
5. INSERTION FORCE: 3.5 LBS. MAX. WHEN TERMINAL IS INSERTED INTO AN .093 SERIES HOUSING.
6. RETENTION: 20 LBS. MIN. FROM HOUSING.

REMOVE DIMPLE EC NO: UCP2015-0104 DRWN:JDFX 2014/07/29 CHKD:HK/PPER 2014/07/29 APPR:FSM/LTH 2014/07/31	DESCRIPTION CRIMP TERMINAL, FEMALE	QUALITY SYMBOLS	GENERAL TOLERANCES (UNLESS SPECIFIED)		DIMENSION STYLE	SCALE	DESIGN UNITS	THIRD ANGLE PROJECTION
		▽=0	mm	INCH	IN/MM	6:1	INCH	CRIMP TERMINAL, FEMALE  <b>molex</b> SD-4550-* SHEET NO. 1 OF 1
		▽=0	4 PLACES ± ---	± ---	DRAWN BY DATE	TITLE		
		▽=0	3 PLACES ± ---	± .010	GWC 1991/05/02			
	2 PLACES ± 0.25	± .014	CHECKED BY DATE					
	1 PLACE ± 0.35	± ---	RW 1991/05/02					
	0 PLACE ±	±	APPROVED BY DATE					
			GW 1991/05/02					
			MATERIAL NO.	DOCUMENT NO.				
			ANGULAR ±1/2°	SEE CHART				
			DRAFT WHERE APPLICABLE MUST REMAIN WITHIN DIMENSIONS					
				SIZE C	THIS DRAWING CONTAINS INFORMATION THAT IS PROPRIETARY TO MOLEX INCORPORATED AND SHOULD NOT BE USED WITHOUT WRITTEN PERMISSION			