



Chipsmall Limited consists of a professional team with an average of over 10 year of expertise in the distribution of electronic components. Based in Hongkong, we have already established firm and mutual-benefit business relationships with customers from,Europe,America and south Asia,supplying obsolete and hard-to-find components to meet their specific needs.

With the principle of “Quality Parts,Customers Priority,Honest Operation,and Considerate Service”,our business mainly focus on the distribution of electronic components. Line cards we deal with include Microchip,ALPS,ROHM,Xilinx,Pulse,ON,Everlight and Freescale. Main products comprise IC,Modules,Potentiometer,IC Socket,Relay,Connector.Our parts cover such applications as commercial,industrial, and automotives areas.

We are looking forward to setting up business relationship with you and hope to provide you with the best service and solution. Let us make a better world for our industry!



Contact us

Tel: +86-755-8981 8866 Fax: +86-755-8427 6832

Email & Skype: info@chipsmall.com Web: www.chipsmall.com

Address: A1208, Overseas Decoration Building, #122 Zhenhua RD., Futian, Shenzhen, China

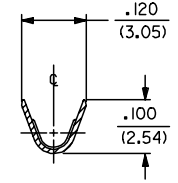
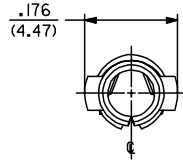


PART NO.	ENG. NO.
NOT TOOLED	42464-(P90)IL
02-09-1651	42464-(P90)I
NOT TOOLED	42464-(P550)IL
NOT TOOLED	42464-(P550)
NOT TOOLED	42464-(P558)IL
NOT TOOLED	42464-(P558)

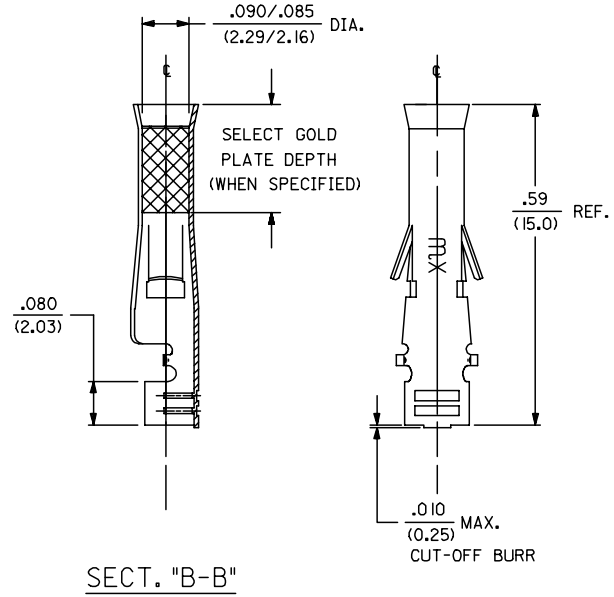
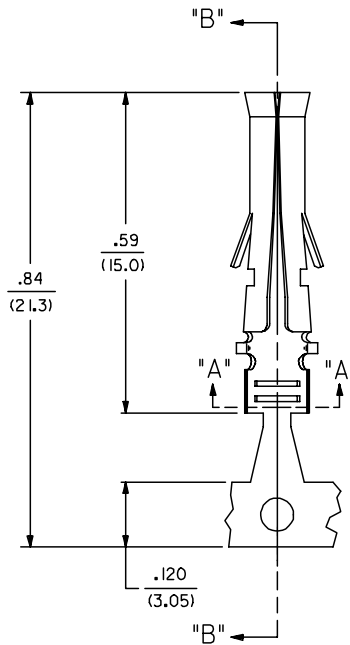
LEGEND
 42464- (****)*
 P=PREPLATE BLANK=POSTPLATE
 FORM BLANK=CHAIN L=LOOSE
 FINISH CODE

NOTES:

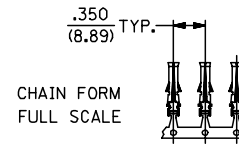
- MATERIAL: CARTRIDGE BRASS, ALLOY #C26000 .008/(0.20) THICK.
- FINISH CODES:
 901 HOT TIN DIP .000020/(0.00051) MIN.
 550 SELECT GOLD PLATE .000015/(0.00038) MIN. IN CONTACT AREA,
 OVER .000030/(0.00076) MIN. NICKEL OVERALL WITH .000010/(0.00025)
 MAX. GOLD FLASH OVERALL.
 558 SELECT GOLD PLATE .000030/(0.00076) MIN. IN CONTACT AREA,
 OVER .000050/(0.00127) MIN. NICKEL OVERALL WITH .000010/(0.00025)
 MAX. GOLD FLASH OVERALL.
- PRODUCT SPECIFICATION: NONE
- TERMINAL FOR USE WITH .093/(2.36) SERIES HOUSINGS AND WILL
 ACCEPT 16 THRU 20 AWG WIRE.
- PULL OUT FORCE: 20 LBS. MIN. RETENTION IN HOUSING.



SECT. "A-A"



SECT. "B-B"



UPDATE NOTES	QUALITY SYMBOLS
EC NO: UCP2006-2415 DRAWN/PRD: 2006/05/16 CHKD: AEL/HAG 2006/05/22 APPR: FSM/TH 2006/05/22	

GENERAL TOLERANCES (UNLESS SPECIFIED)	
mm	INCH
4 PLACES ± .10	± .010
3 PLACES ± .15	± .014
2 PLACES ± 0.25	± .014
1 PLACE ± 0.35	± .014
ANGULAR ±1/2°	
DRAFT WHERE APPLICABLE MUST REMAIN WITHIN DIMENSIONS	

DIMENSION STYLE	
IN/MM	DATE
DRAWN BY GEP	02/09/89
CHECKED BY RW	02/09/89
APPROVED BY RAS	02/09/89
MATERIAL NO.	
DOCUMENT NO.	
SHEET NO.	

SCALE 6:1	DESIGN UNITS INCH	THIRD ANGLE PROJECTION
.093/(2.36) DIA. SOCKET W/O INSULATION CRIMP FOR 16 THRU 20 AWG. WIRE		
molex MOLEX INCORPORATED		
SEE CHART	SD-42464-*	1 OF 1
THIS DRAFTING CONTAINS INFORMATION THAT IS PROPRIETARY TO MOLEX INCORPORATED AND SHOULD NOT BE USED WITHOUT WRITTEN PERMISSION		