



Chipsmall Limited consists of a professional team with an average of over 10 year of expertise in the distribution of electronic components. Based in Hongkong, we have already established firm and mutual-benefit business relationships with customers from,Europe,America and south Asia,supplying obsolete and hard-to-find components to meet their specific needs.

With the principle of "Quality Parts,Customers Priority,Honest Operation,and Considerate Service",our business mainly focus on the distribution of electronic components. Line cards we deal with include Microchip,ALPS,ROHM,Xilinx,Pulse,ON,Everlight and Freescale. Main products comprise IC,Modules,Potentiometer,IC Socket,Relay,Connector.Our parts cover such applications as commercial,industrial, and automotives areas.

We are looking forward to setting up business relationship with you and hope to provide you with the best service and solution. Let us make a better world for our industry!



## Contact us

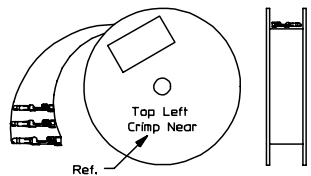
Tel: +86-755-8981 8866 Fax: +86-755-8427 6832

Email & Skype: info@chipsmall.com Web: www.chipsmall.com

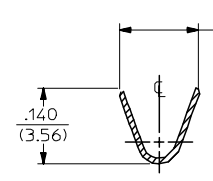
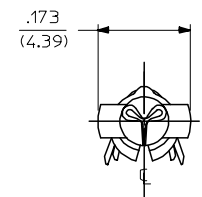
Address: A1208, Overseas Decoration Building, #122 Zhenhua RD., Futian, Shenzhen, China



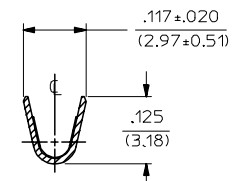
PART NO.	ENG. NO.
02-09-2118	1380-(P901)L
02-09-2116	1380-(P901)
02-09-2127	1380-(P901)1
02-09-6126	1380-(591)L
02-09-6125	1380-(591)
02-09-6123	1380-(550)L
02-09-6122	1380-(550)
02-09-2119	1380-A(P901)L
02-09-2117	1380-A(P901)



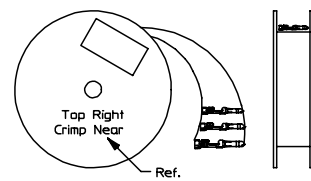
REWOUND CHAIN



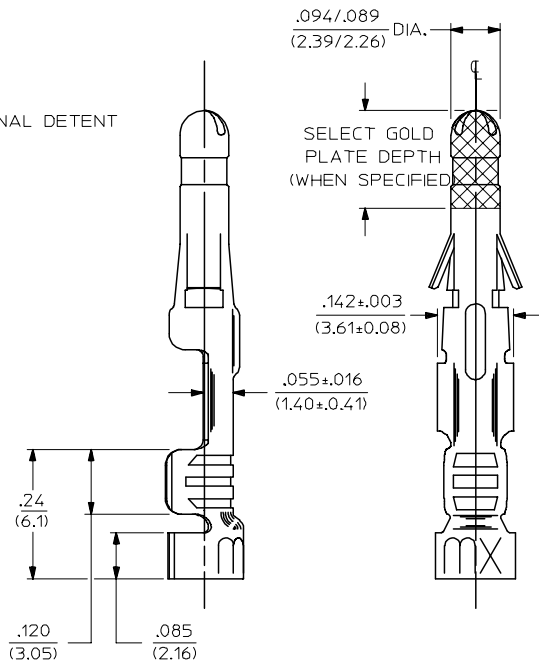
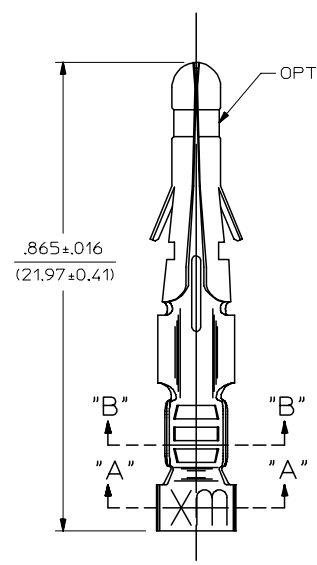
SECT. "A-A"



SECT. "B-B"



STANDARD CHAIN



LEGEND

1380-\*(\*\*\*)\*  
 OPTIONAL DETENT  
 BLANK = WITH DETENT  
 A = WITHOUT DETENT  
 P = PREPLATE  
 BLANK = POSTPLATE  
 FORM  
 BLANK = STD. CHAIN  
 A = REWOUND CHAIN  
 L = LOOSE  
 1 = STD. CHAIN WITH INTERLEAF PAPER  
 FINISH CODE  
 (SEE NOTE 2)

NOTES:

- MATERIAL: BRASS
- FINISH:
  - 999 UNPLATED
  - 901 HOT TIN DIP .000020/(0.00051) MIN.
  - 591 SELECT GOLD PLATE .000050/(0.00127) MIN. IN CONTACT AREA, OVER .000050/(0.00127) MIN. NICKEL OVERALL WITH .000010/(0.00025) MAX. GOLD FLASH OVERALL.
  - 550 SELECT GOLD PLATE .000015/(0.00038) MIN. IN CONTACT AREA, OVER .000030/(0.00076) MIN. NICKEL OVERALL WITH .000010/(0.00025) MAX. GOLD FLASH OVERALL.
- PRODUCT SPECIFICATION: PS-02-09.
- PACKAGING INFORMATION: NOT AVAILABLE
- TERMINAL FOR USE WITH .093/(2.36) SERIES HOUSINGS AND WILL ACCEPT 18 THRU 22 AWG
- INSERTION FORCE: 3.5 LBS. MAX. WHEN TERMINAL IS INSERTED INTO AN .093 SERIES HOUSING.
- TERMINAL RETENTION: 20 LBS. MIN. FROM HOUSING.

REVISED/REDRAWN EC NO: UCP2004-2354 DRWN:RHOLTS 2005/07/20 CHKD:FSMITH 2005/07/20 APPR:FSMITH 2005/07/20 BV	QUALITY SYMBOLS	GENERAL TOLERANCES (UNLESS SPECIFIED)	SCALE 6:1	DESIGN UNITS INCH	THIRD ANGLE PROJECTION	REVISE ON CAD ONLY
	DESCRIPTION	mm	DIMENSION STYLE IN/MM		TITLE CRIMP TERMINAL .093 DIA., MALE FOR 18 THRU 22 AWG. WIRE molex MOLEX INCORPORATED	
		INCH	DRAWN BY GEP	DATE 1987/11/06		
		4 PLACES ±.010 ±.010 3 PLACES ±.010 ±.010 2 PLACES ±0.25 ±.14 1 PLACE ±0.35 ±.010	CHECKED BY RW	DATE 1987/11/06		
ANGULAR ±1/2°	DRAFT WHERE APPLICABLE	APPROVED BY RAS	DATE 1987/11/06	MATERIAL NO. SEE CHART	DOCUMENT NO. SD-1380-*	SHEET NO. 1 OF 1
	MUST REMAIN WITHIN DIMENSIONS	THIS DRAWING CONTAINS INFORMATION THAT IS PROPRIETARY TO MOLEX INCORPORATED AND SHOULD NOT BE USED WITHOUT WRITTEN PERMISSION				