



Chipsmall Limited consists of a professional team with an average of over 10 year of expertise in the distribution of electronic components. Based in Hongkong, we have already established firm and mutual-benefit business relationships with customers from,Europe,America and south Asia,supplying obsolete and hard-to-find components to meet their specific needs.

With the principle of “Quality Parts,Customers Priority,Honest Operation,and Considerate Service”,our business mainly focus on the distribution of electronic components. Line cards we deal with include Microchip,ALPS,ROHM,Xilinx,Pulse,ON,Everlight and Freescale. Main products comprise IC,Modules,Potentiometer,IC Socket,Relay,Connector.Our parts cover such applications as commercial,industrial, and automotives areas.

We are looking forward to setting up business relationship with you and hope to provide you with the best service and solution. Let us make a better world for our industry!



Contact us

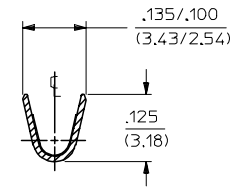
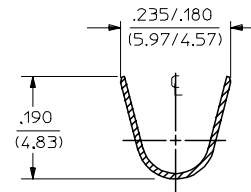
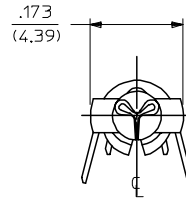
Tel: +86-755-8981 8866 Fax: +86-755-8427 6832

Email & Skype: info@chipsmall.com Web: www.chipsmall.com

Address: A1208, Overseas Decoration Building, #122 Zhenhua RD., Futian, Shenzhen, China



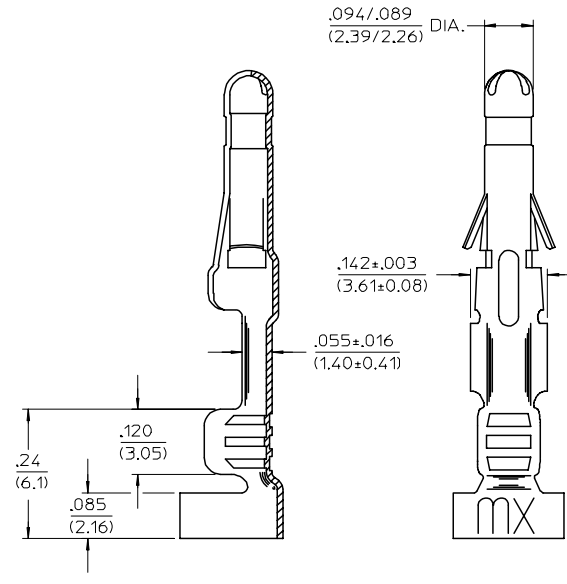
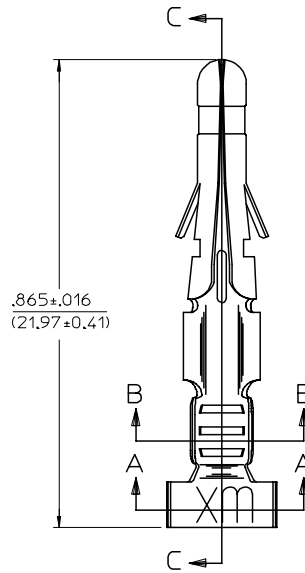
PART NO.	ENG. NO.
02-09-2166	4549-(P909)
02-09-2167	4549-(P909)L
02-09-3203	4549-(999)
-	-
-	-
-	-



SECTION "A-A"

SECTION "B-B"

LEGEND
 4549-(****)*
 P=PREPLATE FINISH CODE
 BLANK=POSTPLATE
 FORM
 BLANK=CHAIN
 L=LOOSE



SECTION "C-C"



- NOTES:
- MATERIAL: PHOSPHOR BRONZE
 - FINISH CODES:
 999 UNPLATED
 909 HOT TIN DIP .000100/(0.00250) MIN.
 * THE PRIMARY SHIPPING CARTON WILL BE LABELED, "COMPLIANT TO RoHS 2002/95/EC AND ELV ANNEX II OF DIRECTIVE 2000/53/EC", AND CARTONS WITHOUT THIS LABEL MAY CONTAIN PRODUCT WITH TIN-LEAD.
 - PRODUCT SPECIFICATION: PS-02-09
 - PACKAGING INFORMATION: NOT AVAILABLE
 - TERMINAL FOR USE WITH .093/(2.36) SERIES HOUSINGS AND WILL ACCEPT 14 THRU 20 AWG WIRE.
 - INSERTION FORCE: 3.5 LBS. MAX. WHEN TERMINAL IS INSERTED INTO AN .093 SERIES HOUSING.
 - RETENTION: 20 LBS. MIN FROM HOUSING

LTR.	REVISIONS
C1	REMOVE STOP SIGN UCP2005-0278 RHOLTS 8/23/04
C	REVISED/REDRAWN UCP2005-0194 RHOLTS 7/30/04
B	ADD .(999) W/EDP * ECR U2 1880 12/28/92 RW
A	FINAL RELEASE ECR U1 0857 C/C/12/92 RW

REMOVE STOP SIGN EC NO: UCP2005-0278 DRAWN/RHOLTS 2004/08/27 CHKD/FSM/TH 2004/08/27 APPR/FSM/TH 2004/08/31	QUALITY SYMBOLS ▽=0 ▽=0	GENERAL TOLERANCES (UNLESS SPECIFIED)		DIMENSION STYLE IN/MM		SCALE 6:1	DESIGN UNITS INCH	THIRD ANGLE PROJECTION
		4 PLACES ± --- ± ---	3 PLACES ± --- ± .010	2 PLACES ± 0.25 ± .014	1 PLACE ± 0.35 ± ---	DRAWN BY GWC	DATE 1992/06/12	
C1	REV	DRAFT WHERE APPLICABLE MUST REMAIN WITHIN DIMENSIONS		SEE CHART		MATERIAL NO. DOCUMENT NO.		SHEET NO. 1 OF 1
		ANGULAR ±1/2°		APPROVED BY GWF		DATE 1992/06/12		
MATERIAL NO.				DOCUMENT NO.				SHEET NO.
DRAWN BY				DATE				TITLE
CHECKED BY				DATE				MATERIAL NO.
APPROVED BY				DATE				DOCUMENT NO.
MATERIAL NO.				DOCUMENT NO.				SHEET NO.