



Chipsmall Limited consists of a professional team with an average of over 10 year of expertise in the distribution of electronic components. Based in Hongkong, we have already established firm and mutual-benefit business relationships with customers from,Europe,America and south Asia,supplying obsolete and hard-to-find components to meet their specific needs.

With the principle of “Quality Parts,Customers Priority,Honest Operation,and Considerate Service”,our business mainly focus on the distribution of electronic components. Line cards we deal with include Microchip,ALPS,ROHM,Xilinx,Pulse,ON,Everlight and Freescale. Main products comprise IC,Modules,Potentiometer,IC Socket,Relay,Connector.Our parts cover such applications as commercial,industrial, and automotives areas.

We are looking forward to setting up business relationship with you and hope to provide you with the best service and solution. Let us make a better world for our industry!



Contact us

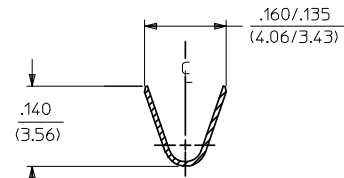
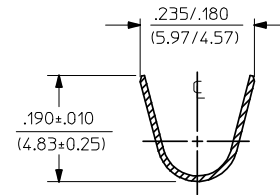
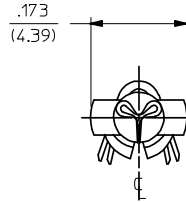
Tel: +86-755-8981 8866 Fax: +86-755-8427 6832

Email & Skype: info@chipsmall.com Web: www.chipsmall.com

Address: A1208, Overseas Decoration Building, #122 Zhenhua RD., Futian, Shenzhen, China



PART NO.	ENG. NO.	DIM. "D" DIA.	INSULATION CRIMP PER
02-09-8103	1973-A(P901)	.091±.003/(2.31±0.08)	SECTION "A-A"-1
02-09-8104	1973-A(P901)L		
02-09-8107	1973-1A(105)	.094±.003/(2.39±0.08)	SECTION "A-A"-1
02-09-8108	1973-2A(P901)	.091±.003/(2.31±0.08)	SECTION "A-A"-2
02-09-8109	1973-2A(P901)L		
-	-		
-	-		
-	-		



SECTION "A-A"-2
SPECIAL DOUBLE WIRE
CRIMP FOR 1973-2 VERSION

SECTION "A-A"-1
STANDARD VERSION FOR
1973 & 1973-1 VERSIONS

LEGEND

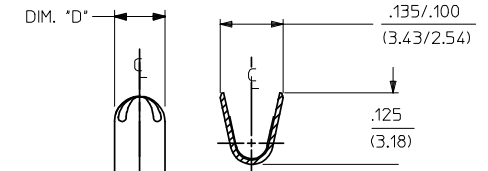
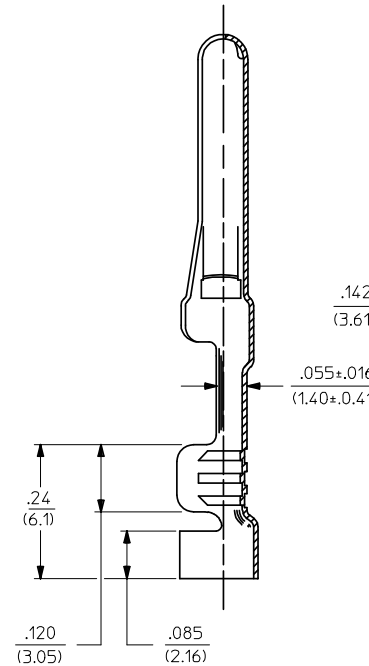
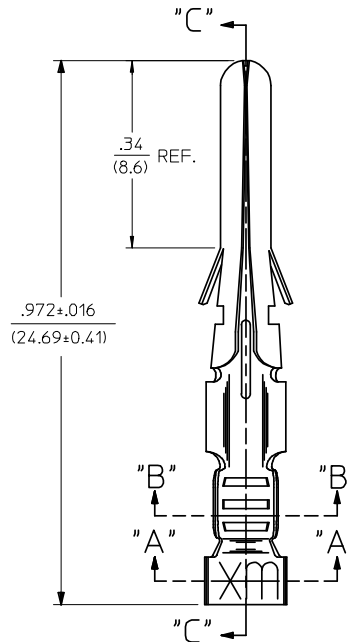
1973-*A(****)*

VERSION: BLANK=ORIGINAL, 1=MODIFIED PIN DIA., 2=LARGER INSUL. CRIMP

FORM: BLANK=CHAIN, L=LOOSE

P=PREPLATE, BLANK=POSTPLATE

FINISH CODE



SECTION "B-B"

SECTION "C-C"

NOTES:

- MATERIAL: CARTRIDGR BRASS ALLOY, .010/(0.25) THICK.
- FINISHES:
105 TIN PLATE .000300/(0.00762) MIN. OVER .000100/(0.00254) MIN. COPPER OVERALL.
901 HOT TIN DIP .000020/(0.00051) MIN.
* THE PRIMARY SHIPPING CARTON WILL BE LABELED, "COMPLIANT TO RoHS DIRECTIVE 2002/95/EC AND ANNEX II OF DIRECTIVE 2000/53/EC", AND CARTONS WITHOUT THIS LABEL MAY CONTAIN PRODUCT WITH TIN-LEAD.
- PACKAGING INFORMATION: NOT AVAILABLE
- TERMINALS FOR USE WITH .093/(2.36) SERIES HOUSINGS. 1973 & 1973-1 VERSIONS WILL ACCEPT 18 THRU 22 AWG WIRE. 1973-2 VERSION IS FOR USE WITH 14 THRU 18 AWG WIRE AND DOUBLE CRIMPS OF ONE 16 AND ONE 18 AWG OR TWO 18 AWG WIRES.
- INSERTION FORCE: 3.5 LBS. MAX. WHEN TERMINAL IS INSERTED INTO .124/(3.15) DIA. CORE HOLE.
- CONTACT RETENTION: 20 LBS. MIN.
- LOAT: TERMINAL MAY ROTATE IN HOUSING, BUT SHOULD NOT SPIN FREELY WHEN WIRE IS ROLLED BETWEEN FINGERS.

REVISE NOTE 2 EC NO: UCP2009-0059 DRWN:GAVRILL 2008/07/08 CHKD:JBELL 2008/07/10 APPR:FSM/TH 2008/07/10	DESCRIPTION	QUALITY SYMBOLS	GENERAL TOLERANCES (UNLESS SPECIFIED)	DIMENSION STYLE	SCALE	DESIGN UNITS	THIRD ANGLE PROJECTION													
		$\nabla=0$ $\nabla=0$	<table border="1"> <tr> <th></th> <th>mm</th> <th>INCH</th> </tr> <tr> <td>4 PLACES</td> <td>±---</td> <td>±---</td> </tr> <tr> <td>3 PLACES</td> <td>±---</td> <td>±.010</td> </tr> <tr> <td>2 PLACES</td> <td>±0.25</td> <td>±.014</td> </tr> <tr> <td>1 PLACE</td> <td>±0.35</td> <td>±</td> </tr> </table>		mm	INCH	4 PLACES	±---	±---	3 PLACES	±---	±.010	2 PLACES	±0.25	±.014	1 PLACE	±0.35	±	IN/MM	6:1
	mm	INCH																		
4 PLACES	±---	±---																		
3 PLACES	±---	±.010																		
2 PLACES	±0.25	±.014																		
1 PLACE	±0.35	±																		
D1	REV		DRAFT WHERE APPLICABLE MUST REMAIN WITHIN DIMENSIONS	DRAWN BY DATE GWC 1992/06/17	CHECKED BY DATE RW 1992/06/17	TITLE CRIMP TERMINAL, MALE, GROUND PIN, .093 DIA., FOR VARIOUS WIRE SIZES														
				APPROVED BY DATE GWF 1992/06/17	MATERIAL NO. SEE CHART		MOLEX INCORPORATED													
					DOCUMENT NO.	SD-1973-*	SHEET NO. 1 OF 1													
					THIS DRAWING CONTAINS INFORMATION THAT IS PROPRIETARY TO MOLEX INCORPORATED AND SHOULD NOT BE USED WITHOUT WRITTEN PERMISSION															