



Chipsmall Limited consists of a professional team with an average of over 10 year of expertise in the distribution of electronic components. Based in Hongkong, we have already established firm and mutual-benefit business relationships with customers from,Europe,America and south Asia,supplying obsolete and hard-to-find components to meet their specific needs.

With the principle of “Quality Parts,Customers Priority,Honest Operation,and Considerate Service”,our business mainly focus on the distribution of electronic components. Line cards we deal with include Microchip,ALPS,ROHM,Xilinx,Pulse,ON,Everlight and Freescale. Main products comprise IC,Modules,Potentiometer,IC Socket,Relay,Connector.Our parts cover such applications as commercial,industrial, and automotives areas.

We are looking forward to setting up business relationship with you and hope to provide you with the best service and solution. Let us make a better world for our industry!



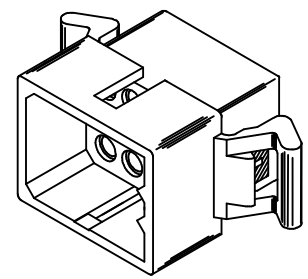
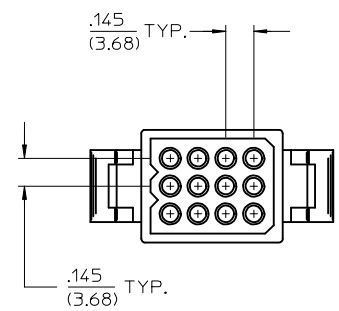
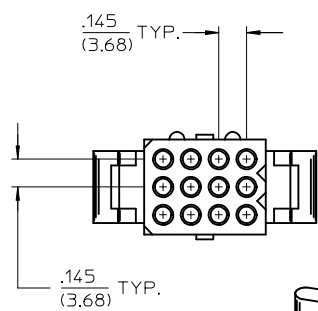
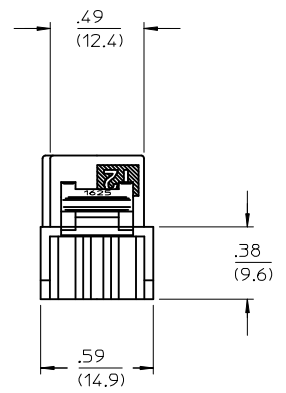
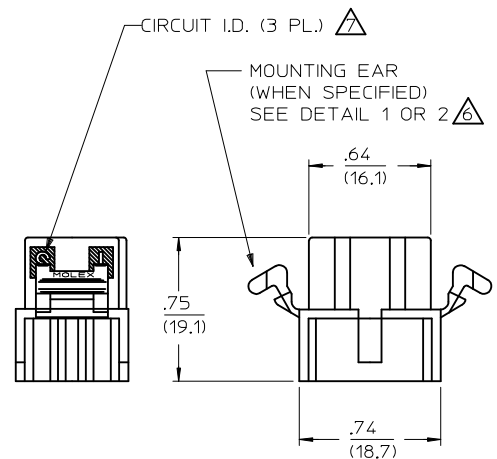
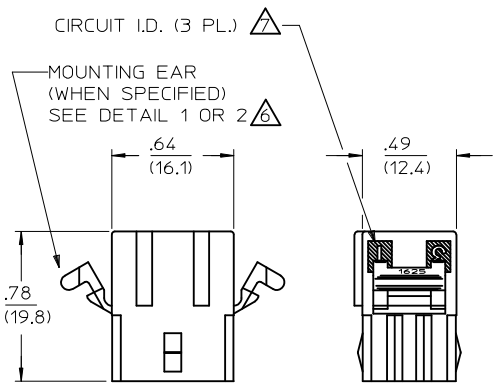
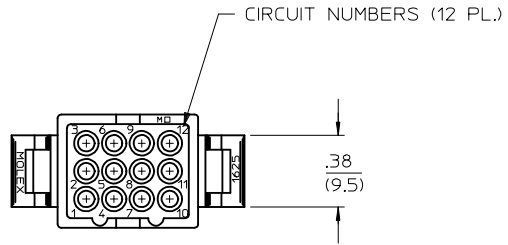
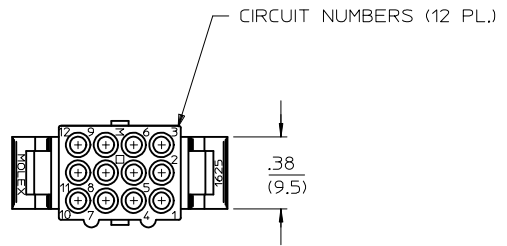
## Contact us

Tel: +86-755-8981 8866 Fax: +86-755-8427 6832

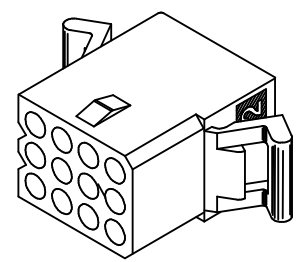
Email & Skype: info@chipsmall.com Web: www.chipsmall.com

Address: A1208, Overseas Decoration Building, #122 Zhenhua RD., Futian, Shenzhen, China



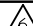





PLUG HOUSING  
(NOT TO SCALE)



RECEPTACLE HOUSING  
(NOT TO SCALE)

PK SPEC EC NO: UCP2015-0466 DRWN:JDFX 2014/08/05 CHKD:MKJPPER 2014/08/04 APPR:FSMITH 2014/08/14	DESCRIPTION REV	QUALITY SYMBOLS	GENERAL TOLERANCES (UNLESS SPECIFIED)	DIMENSION STYLE	SCALE	DESIGN UNITS	THIRD ANGLE PROJECTION	
				IN/MM	1:1	INCH		
			mm INCH	DRAWN BY DATE	TITLE	.062/(1.57) HOUSINGS, PLUG & RECEPTACLE 12 CKT, 145 CENTERS		
				GWC 1993/02/01				
			4 PLACES ± --- ± ---	CHECKED BY DATE	molex			
			3 PLACES ± --- ± .010	RW 1993/02/01				
			2 PLACES ± 0.25 ± .014	APPROVED BY DATE	SD-1625-12*			
			1 PLACE ± 0.36 ± ---	RAS 1993/02/01				
			0 PLACE ± ±	MATERIAL NO.	DOCUMENT NO.	SHEET NO.		
			ANGULAR ± 1 °	SEE CHART		1 OF 2		
			DRAFT WHERE APPLICABLE MUST REMAIN WITHIN DIMENSIONS	SIZE C	THIS DRAWING CONTAINS INFORMATION THAT IS PROPRIETARY TO MOLEX INCORPORATED AND SHOULD NOT BE USED WITHOUT WRITTEN PERMISSION			

PLUG	
PART NO.	ENG. NO.
03-06-2121	1625-12P 
03-06-7121	1625-12PBK 
03-06-2122	1625-12P1
03-06-7122	1625-12P1BK

RECEPTACLE	
PART NO.	ENG. NO.
03-06-1121	1625-12R 
03-06-6121	1625-12RBK 
03-06-1122	1625-12R1
03-06-6122	1625-12R1BK OBSOLETE

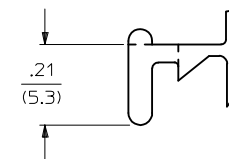
### RECEPTACLE LEGEND

1625-12R\*\*\*

CIRCUIT SIZE  
R = RECEPTACLE

BLANK = WITH PREBENT MOUNTING EARS  
1 = WITHOUT EARS

COLOR:  
BLANK = NATURAL COLOR  
AM = AMBER BK = BLACK BU = BLUE  
BN = BROWN GY = GRAY GN = GREEN  
OR = ORANGERD = RED YW = YELLOW



DETAIL 1

STANDARD MOUNTING EAR  
SCALE 4:1

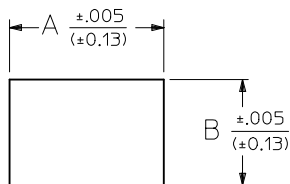
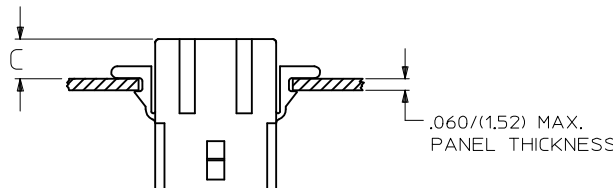
### PLUG LEGEND

1625-12P\*\*\*

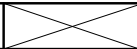
CIRCUIT SIZE  
P = PLUG

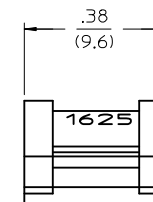
BLANK = WITH PREBENT EARS  
1 = WITHOUT EARS

COLOR:  
BLANK = NATURAL COLOR  
AM = AMBER BK = BLACK BU = BLUE  
BN = BROWN GY = GRAY GN = GREEN  
OR = ORANGE RD = RED YW = YELLOW



### RECOMMENDED HOLE PATTERN

RECEP.	.795 (20.19)	.563 (14.30)		.23 (5.8)
PLUG	.903 (22.94)	.614 (15.60)	.21 (5.3)	.22 (5.5)
PART	DIM. A	DIM. B	DIM. C (STANDARD EAR)	DIM. C (PREBENT EAR)





DETAIL 2


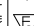
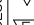
.062/(1.57) PREBENT MOUNTING EAR  
SCALE 4:1

### NOTES:

1. MATERIAL: NYLON TYPE 6/6, 94V-2.
2. FINISH: NONE
3. PRODUCT SPECIFICATION: PS-02-06
4. PACKAGING INFORMATION: PK-1625-003
5. THIS HOUSING FOR USE WITH .062/(1.57) DIA. TERMINALS.

 WHERE DENOTED IN CHART, TOOLS ARE BUILT WITH PREBENT MOUNTING EARS PER DETAIL 2 AND SUPERSEDE ALL TOOLS PREVIOUSLY BUILT WITH THE STANDARD MOUNTING EARS.

 CIRCUIT I.D. NUMBERS APPEAR ON PARTS FROM TOOLS BUILT AFTER 2/1/93.

SEE SHEET 1 EC NO: UCP2015-0466 DRWN:JDFX 2014/08/05 CHKD:MKIPPER 2014/08/04 APPR:FSMLTH 2014/08/14	QUALITY SYMBOLS  =0  =0  =0	GENERAL TOLERANCES (UNLESS SPECIFIED)		DIMENSION STYLE IN/MM	SCALE 1:1	DESIGN UNITS INCH	THIRD ANGLE PROJECTION	
		4 PLACES ± --- ± ---	3 PLACES ± --- ± .010	2 PLACES ± 0.25 ± .014	1 PLACE ± 0.36 ± ---	0 PLACE ± ±	ANGULAR ± 1 °	MATERIAL NO. SEE CHART
DRAFT WHERE APPLICABLE MUST REMAIN WITHIN DIMENSIONS		THIS DRAWING CONTAINS INFORMATION THAT IS PROPRIETARY TO MOLEX INCORPORATED AND SHOULD NOT BE USED WITHOUT WRITTEN PERMISSION						