



Chipsmall Limited consists of a professional team with an average of over 10 year of expertise in the distribution of electronic components. Based in Hongkong, we have already established firm and mutual-benefit business relationships with customers from,Europe,America and south Asia,supplying obsolete and hard-to-find components to meet their specific needs.

With the principle of "Quality Parts,Customers Priority,Honest Operation,and Considerate Service",our business mainly focus on the distribution of electronic components. Line cards we deal with include Microchip,ALPS,ROHM,Xilinx,Pulse,ON,Everlight and Freescale. Main products comprise IC,Modules,Potentiometer,IC Socket,Relay,Connector.Our parts cover such applications as commercial,industrial, and automotives areas.

We are looking forward to setting up business relationship with you and hope to provide you with the best service and solution. Let us make a better world for our industry!



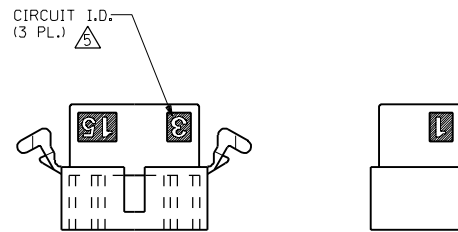
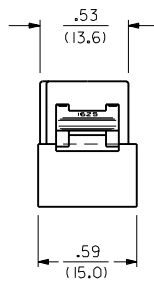
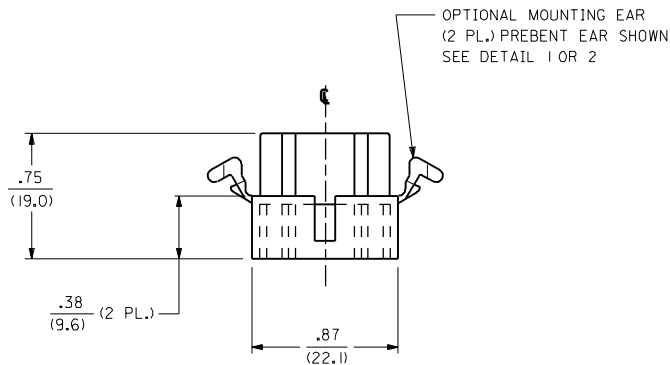
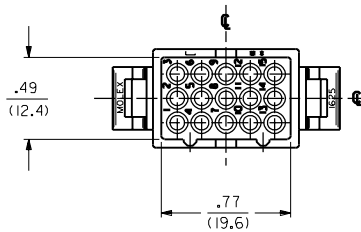
## Contact us

Tel: +86-755-8981 8866 Fax: +86-755-8427 6832

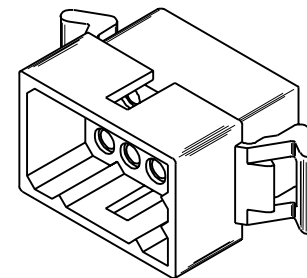
Email & Skype: info@chipsmall.com Web: www.chipsmall.com

Address: A1208, Overseas Decoration Building, #122 Zhenhua RD., Futian, Shenzhen, China





MTG. EAR NOT SHOWN FOR CKT. I.D. CLARITY



PLUG HOUSING

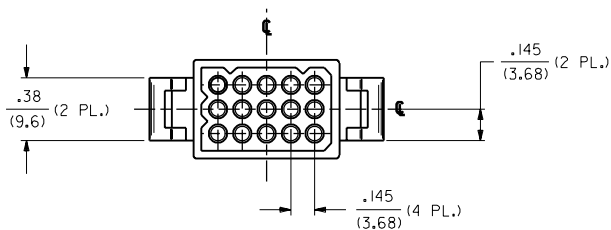


CHART AND NOTES ON SHEET 3

02	REVISION ECN #U70777 97-4-22 JI WANG
01	FINAL REL. - ISR2 ECN #U5 1285 6-22-95 RW
0	REVISE PER ECR U4 0050 OC 1/12/94 RW
P	REVISE PER ECN #U3 0508 4/1/93 RW
0	REVISE PER ECR U2 0850 OC 6/5/92 RW
N	REVISE PER ECR U1 2251 OC 11/20/91 RW
M	REVISE PER ECR U1 2108 OC 10/28/91 RW
L	REMOVE PT.NO. FROM -ISR2, ECR U1 1908 OC 9/20/91 RW
K1	ADDED & FINAL REL PER ERO #28346 GEP 5-4-89 RW
K	ADDED OPTIONS ECR # U90277 KBW 03-22-89 RW
J	ADDED OPTIONS ECR # UB2108 KBW 10-10-88 RW
H	REV. & REDRAWN ECR U8 1714 GEP 7-15-88 RW
3	02
2	02
1	02

MFG.	SH.	REV.	LTR.	REVISIONS

DIMENSIONS SHOWN METRIC (INCH) UNLESS OTHERWISE SPECIFIED TOLERANCES ANGULAR ± .05°

INCH	METRIC
3 PLACE ± .010	---
2 PLACE ± .014	± 0.25
1 PLACE ---	± 0.35

DRAFT WHERE APPLICABLE MUST REMAIN WITHIN DIMENSIONS

SEE CHART

SD-1625-15

MOLEX INCORPORATED

FILE NAME: S162515X1.DWG

DATE: 7/15/88

REV. 1 OF 3

SIZE: CP

PLUG

RECEPTACLE

PART NO.	ENG. NO.
03-06-2151 <sup>4</sup>	1625-15P
03-06-7155	1625-15P IBN
03-06-7152	1625-15P IBK
03-06-2152	1625-15P1
03-06-7151 <sup>4</sup>	1625-15PBK
03-06-7153 <sup>4</sup>	1625-15PBN
03-06-7154 <sup>4</sup>	1625-15PBU

PART NO.	ENG. NO.
03-06-1152	1625-15R1
03-06-6152	1625-15R1BK
03-06-6155	1625-15R2
NOT TOOLED	1625-15R2BK

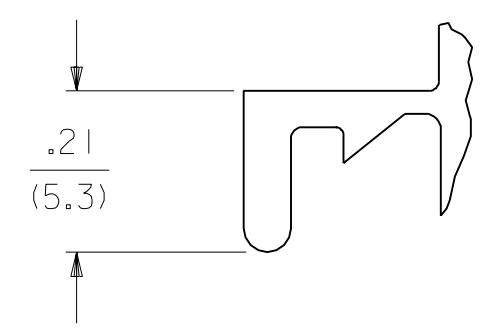
RECEPTACLE LEGEND:

1625-15R\*\*\*  
 CIRCUIT SIZE  
 R = RECEPTACLE  
 1 = WITHOUT EARS  
 2 = WITH PREBENT EARS

PLUG LEGEND:

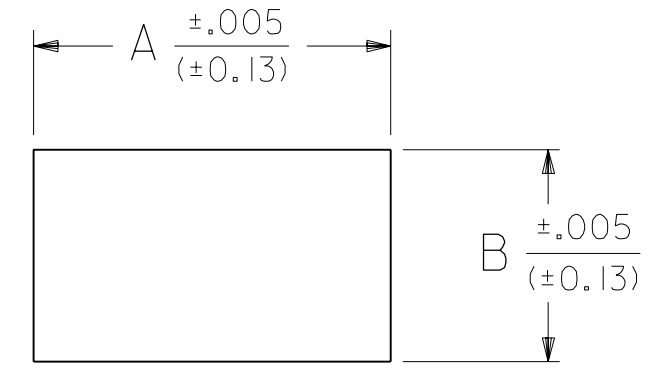
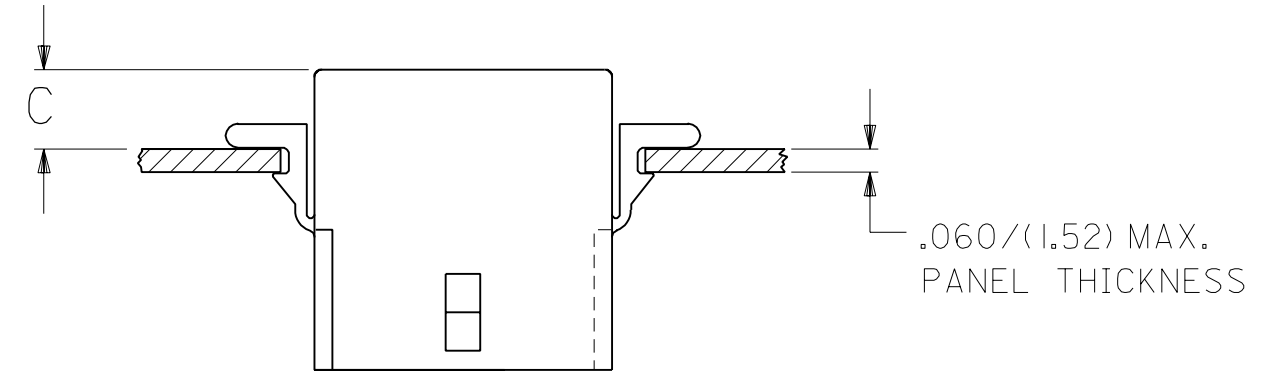
1625-15P\*\*\*  
 CIRCUIT SIZE  
 P = PLUG  
 BLANK = WITH MOUNTING EARS  
 1 = WITHOUT EARS  
 COLOR:  
 BLANK = NATURAL COLOR  
 AM = AMBER BK = BLACK BU = BLUE  
 BN = BROWN GY = GRAY GN = GREEN  
 OR = ORANGE RD = RED YW = YELLOW

COLOR:  
 BLANK = NATURAL COLOR  
 AM = AMBER BK = BLACK BU = BLUE  
 BN = BROWN GY = GRAY GN = GREEN  
 OR = ORANGE RD = RED YW = YELLOW



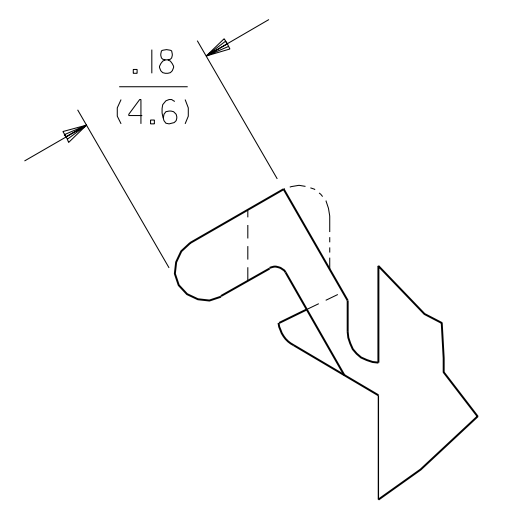
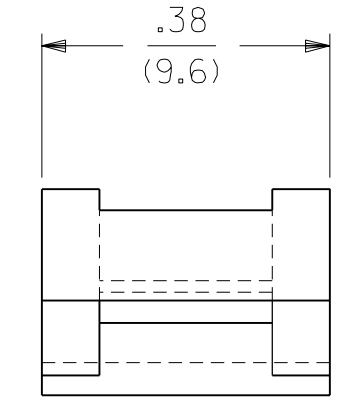
DETAIL 1

STANDARD MOUNTING EAR  
 SCALE 4:1



RECOMMENDED HOLE PATTERN

RECEP.	.930 (23.62)	.569 (14.45)		.22 (5.6)
PLUG	1.032 (26.21)	.620 (15.75)	.20 (5.1)	.21 (5.3)
PART	DIM. A	DIM. B	DIM. C (STANDARD EAR)	DIM. C (PREBENT EAR)



DETAIL 2

.062/(1.57) PREBENT MOUNTING EAR  
 (SCALE 4:1)

NOTES:

- MATERIAL: NYLON TYPE 6/6, 94V-2.
- THIS PART COMPLIES WITH MOLEX PRODUCT SPEC. 02-06.
- THIS HOUSING FOR USE WITH .062/(1.57) DIA. TERMINALS.
- <sup>4</sup> WHERE DENOTED IN CHART, TOOLS ARE BUILT WITH PREBENT MOUNTING EARS PER DETAIL 2 AND SUPERSEDE ALL TOOLS PREVIOUSLY BUILT WITH THE STANDARD MOUNTING EARS.
- <sup>5</sup> CIRCUIT I.D. NUMBERS ON HOUSING APPEAR ON PART FROM TOOLS BUILT AFTER 1/15/94.

REV.	DATE	BY	REVISIONS
N			SEE SHEET I
M			SEE SHEET I
L			SEE SHEET I
Q2			SEE SHEET I
Q1			SEE SHEET I
Q			SEE SHEET I
O			SEE SHEET I
LTR.			REVISIONS

DIMENSIONS SHOWN (METRIC) INCH	
UNLESS OTHERWISE SPECIFIED TOLERANCES: ANGULAR ± 1°	
3 PLACE ± .010	---
2 PLACE ± .014	± 0.25
1 PLACE ---	± 0.35

▽ = 0 ▼ = 0 REVISE ONLY ON CAD SYSTEM

TITLE  
 .062/(1.57) HOUSING;  
 PLUG AND RECEPTACLE;  
 15 CKT. .145/(3.68) CTRS

MOLEX INCORPORATED SHEET NO. 3 DATE 7/18/88  
 LISLE, ILL. U.S.A. 60532

PART NO. SD-1625-15\* DRWG. NO.

SEE CHART

FILE NAME S162515X3 DIV. CP SIZE 0GN U.S.A. THIS DRAWING CONTAINS INFORMATION THAT IS PROPRIETARY TO MOLEX INC. AND SHOULD NOT BE USED WITHOUT WRITTEN PERMISSION.