



Chipsmall Limited consists of a professional team with an average of over 10 year of expertise in the distribution of electronic components. Based in Hongkong, we have already established firm and mutual-benefit business relationships with customers from,Europe,America and south Asia,supplying obsolete and hard-to-find components to meet their specific needs.

With the principle of “Quality Parts,Customers Priority,Honest Operation,and Considerate Service”,our business mainly focus on the distribution of electronic components. Line cards we deal with include Microchip,ALPS,ROHM,Xilinx,Pulse,ON,Everlight and Freescale. Main products comprise IC,Modules,Potentiometer,IC Socket,Relay,Connector.Our parts cover such applications as commercial,industrial, and automotives areas.

We are looking forward to setting up business relationship with you and hope to provide you with the best service and solution. Let us make a better world for our industry!



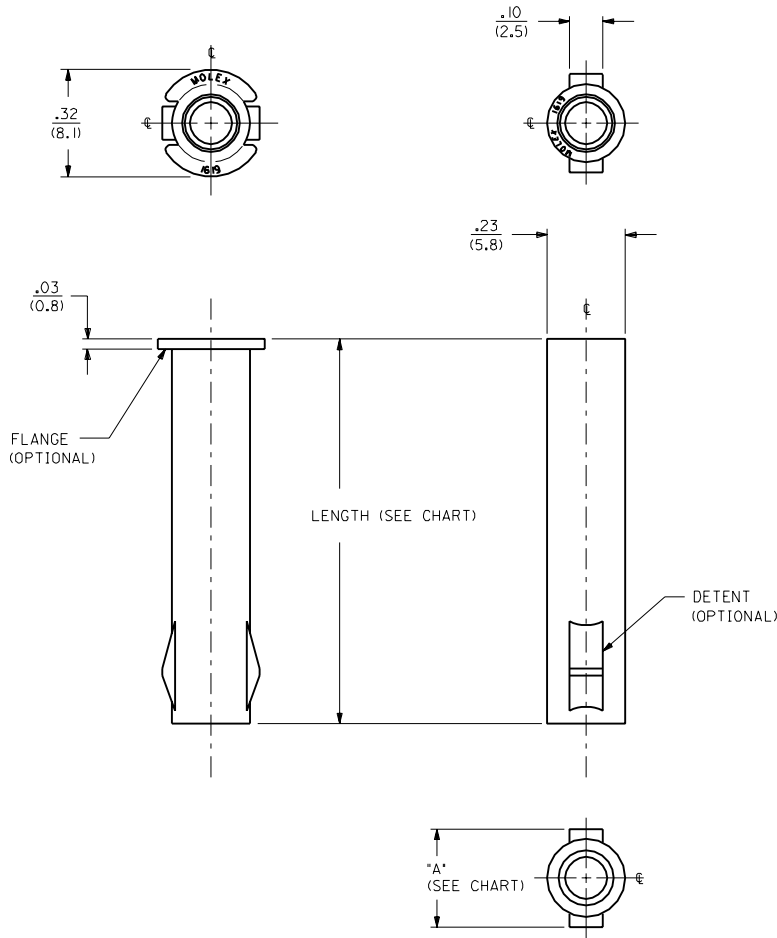
Contact us

Tel: +86-755-8981 8866 Fax: +86-755-8427 6832

Email & Skype: info@chipsmall.com Web: www.chipsmall.com

Address: A1208, Overseas Decoration Building, #122 Zhenhua RD., Futian, Shenzhen, China





Y1	OBSOLETE VERSIONS PER ECR US 0358 CXC 9/15/95		RW
2	Y1	Y	REDRAWN PER ECR U2-1543
1	Y1		AFG 92-10-22 RW
MMB	SH.	REV.	LTR.
REVISIONS			

REVISE ONLY ON CAD SYSTEM

DIMENSIONS SHOWN METRIC (INCH)		$\nabla = 0$	$\blacktriangledown = 0$	TITLE	
UNLESS OTHERWISE SPECIFIED TOLERANCES: ANGULAR $\pm 1/2^\circ$				1 CKT. HOUSING RECEPTACLE .093/(2.36) DIAMETER	
	INCH	METRIC			
3 PLACE	$\pm .010$	---			
2 PLACE	$\pm .014$	± 0.25			
1 PLACE	---	± 0.35			
DRAFT WHERE APPLICABLE MUST REMAIN WITHIN DIMENSIONS					
PART NO. MOLEX INCORPORATED		SHEET NO.	DATE		
L15LEJLL 60532		1 OF 2	92/10/22		
FILE NAME		DRWG. NO.			
SEE CHART		SD-1619-IR			
DRWG. BY	CHKD. BY	SCALE	FILE NAME	THIS DRAWING CONTAINS INFORMATION THAT IS PROPRIETARY TO MOLEX INC. AND SHOULD NOT BE USED WITHOUT WRITTEN PERMISSION.	
APP'D. BY	RAS	4 : 1	SR1619X1 D001	DIV.	SIZE
				CP	C

ORDER NO.	ENG. NO.	MATERIAL	LENGTH	DIMENSION "A"	DETENT	FLANGE	MARKING METHOD	COLOR
03-09-1011	16 19-IR IB5N IA5	I	B	5	N	I	A	5
03-09-6011	16 19-IR IB5N IA6	I	B	5	N	I	A	6
03-09-6012	16 19-IR IB5N IA7	I	B	5	N	I	A	7
03-09-6013	16 19-IR IB5N IA8	I	B	5	N	I	A	8

NOTES:

1. THIS HOUSING IS FOR USE WITH THE .093/(2.36) DIA. TERMINALS.
2. PRODUCT SPEC. 02-09 APPLIES.
3. FOR VERSIONS SPECIFYING LENGTH "B", PARTS PROVIDED FROM TOOLS BUILT PRIOR TO 9/86 HAVE AN OVERALL LENGTH SPECIFICATION OF 1.00/(25.4).

LEGEND

16 19-IR*****

CIRCUIT SIZE


TYPE

- R) RECEPTACLE

MATERIAL

- 1) NYLON, TYPE 6/6, FLAMMABILITY RATING: 94V-2.
- 2) NYLON, TYPE 6/6, FLAMMABILITY RATING: 94V-0, MONSANTO M-340.
- 3) POLYPROPYLENE, FLAMMABILITY RATING: 94V-0, A. SCHULMAN - POLYFLAM TM R.P.P.-958

LENGTH

- B) 1.03/(26.2) 
- C) 1.15/(29.2)

DIMENSION "A"

- 5) .297/(7.54)
- 6) .294/(7.47)
- 7) NONE

DETENT

- M) NONE
- N) WITH DETENT

COLOR

- 1) AMBER 6) BLACK
- 2) BROWN 7) RED
- 3) ORANGE 8) BLUE
- 4) GRAY 9) GREEN
- 5) NATURAL 0) YELLOW

MARKING METHOD

- A) NOT APPLICABLE

FLANGE

- 1) NONE
- 2) WITH FLANGE

DIMENSIONS SHOWN METRIC () INCH		UNLESS OTHERWISE SPECIFIED TOLERANCES: ANGULAR ± 1/2°		REVISIONS		REVISIONS		DRAWING INFORMATION		TITLE		MOLEX INCORPORATED		SHEET NO. 2		DATE 92/10/20	
INCH		METRIC		Y1		SEE SHEET 1		DRAWING NO.		SD-16 19-IR*		MOLEX INCORPORATED		SHEET NO. 2		DATE 92/10/20	
3 PLACE ± .010		---		Y		SEE SHEET 1		DRAWING NO.		SD-16 19-IR*		MOLEX INCORPORATED		SHEET NO. 2		DATE 92/10/20	
2 PLACE ± .014		± 0.25						DRAWING NO.		SD-16 19-IR*		MOLEX INCORPORATED		SHEET NO. 2		DATE 92/10/20	
1 PLACE ---		± 0.35						DRAWING NO.		SD-16 19-IR*		MOLEX INCORPORATED		SHEET NO. 2		DATE 92/10/20	
DRAFT WHERE APPLICABLE MUST REMAIN WITHIN DIMENSIONS								DRAWING NO.		SD-16 19-IR*		MOLEX INCORPORATED		SHEET NO. 2		DATE 92/10/20	
DRW: AFG		CHKD: RW						DRAWING NO.		SD-16 19-IR*		MOLEX INCORPORATED		SHEET NO. 2		DATE 92/10/20	
APP'D: RAS		SCALE: --:--						DRAWING NO.		SD-16 19-IR*		MOLEX INCORPORATED		SHEET NO. 2		DATE 92/10/20	
LTR.		REVISIONS		LTR.		REVISIONS		DRAWING NO.		SD-16 19-IR*		MOLEX INCORPORATED		SHEET NO. 2		DATE 92/10/20	