



Chipsmall Limited consists of a professional team with an average of over 10 year of expertise in the distribution of electronic components. Based in Hongkong, we have already established firm and mutual-benefit business relationships with customers from,Europe,America and south Asia,supplying obsolete and hard-to-find components to meet their specific needs.

With the principle of “Quality Parts,Customers Priority,Honest Operation,and Considerate Service”,our business mainly focus on the distribution of electronic components. Line cards we deal with include Microchip,ALPS,ROHM,Xilinx,Pulse,ON,Everlight and Freescale. Main products comprise IC,Modules,Potentiometer,IC Socket,Relay,Connector.Our parts cover such applications as commercial,industrial, and automotives areas.

We are looking forward to setting up business relationship with you and hope to provide you with the best service and solution. Let us make a better world for our industry!



Contact us

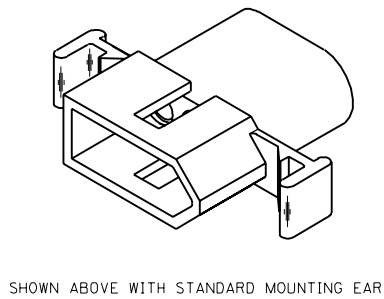
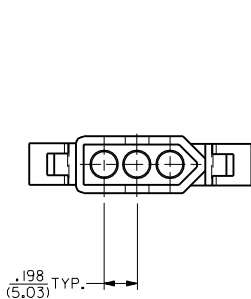
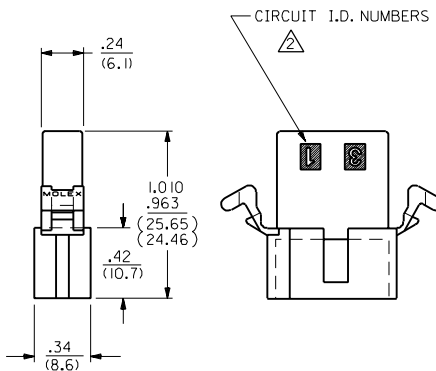
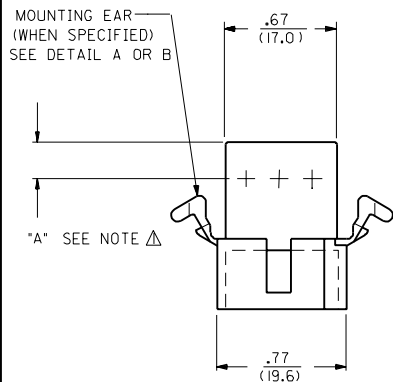
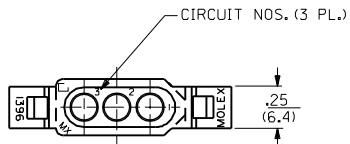
Tel: +86-755-8981 8866 Fax: +86-755-8427 6832

Email & Skype: info@chipsmall.com Web: www.chipsmall.com

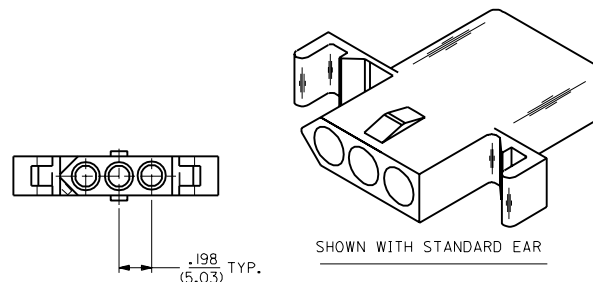
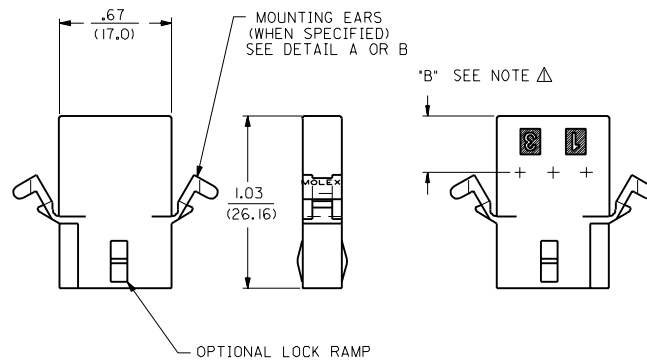
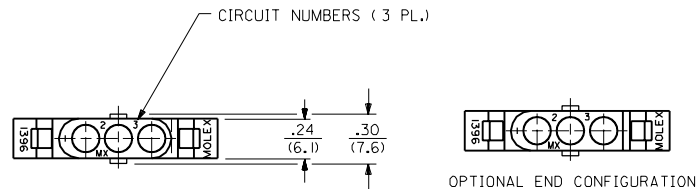
Address: A1208, Overseas Decoration Building, #122 Zhenhua RD., Futian, Shenzhen, China



PLUG



RECEPTACLE



NOTES:
 Δ DIMENSION FROM THE BACK OF HOUSING TO THE END OF THE BRUSH ON THE WIRE INSERTED INTO THE HOUSING
 DIM "A" = .256/6.50 FOR 42477 & 42478 TERMINALS
 .216/5.49 FOR ALL OTHER .093 TERMINALS
 DIM "B" = .377/9.58 FOR 42477 & 42478 TERMINALS
 .337/8.56 FOR ALL OTHER .093 TERMINALS

Y3	REVISED PER UCR2000-0583 3/1/00 DDS
Y2	REMOVE -R3, -R5 VER. PER ECR #UG 1479 6-10-96 RW
Y1	X-REMOVE 1396-R4 ECR U3 1583 GC 10/26/93 RW
Y	ADD CKT. I.D. #'S PER ECR U3 0683 GC 5/4/93 RW
X	REV MAT'L SPECS. ECR U2-1491 10-08-92 A.GUZIK
W1	ADD -D VERSIONS. ECR U1 1106 GC 7/25/91 RW
W	REVISE ON CAD ECR #UB 1381 JJS 4-24-88 RW
2	Y2
1	Y3
MFG. SH.	REV. LTR.

DIMENSIONS SHOWN METRIC (INCH) UNLESS OTHERWISE SPECIFIED TOLERANCES ANGULAR ± 1/2°

	INCH	METRIC
3 PLACE	± .010	---
2 PLACE	± .014	± 0.25
1 PLACE	---	± 0.36

DRAFT WHERE APPLICABLE MUST REMAIN WITHIN DIMENSIONS

DRWG. BY: JUS CHKD. BY: RW FILE NAME: S1396.3X1 DGN

SCALE: 2 : 1

TITLE: .093/(2.36) HOUSING, PLUG & RECEPTACLE 3 CIRCUIT. 198/(5.03) ©

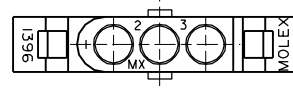
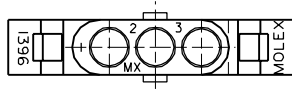
MOLEX INCORPORATED LITSEJLL. 60532 U.S.A.

SHEET NO. 1 of 2 DATE 4 / 3 / 88

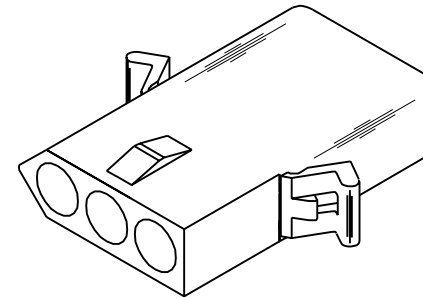
PART NO. SD-1396-•

REVISE ONLY ON CAD SYSTEM

DWG. NO.
SD-1396-001

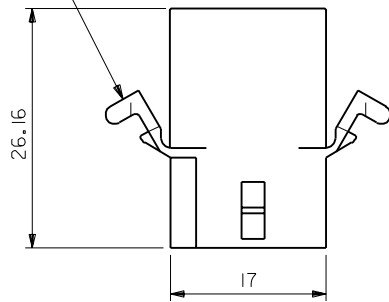


OPTIONAL END CONFIGURATION

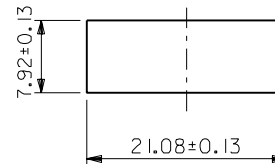
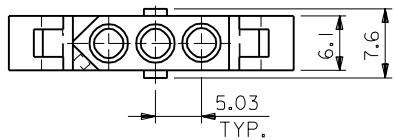
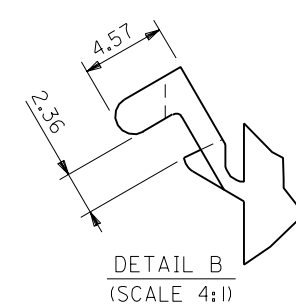
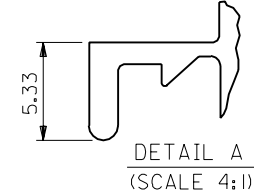
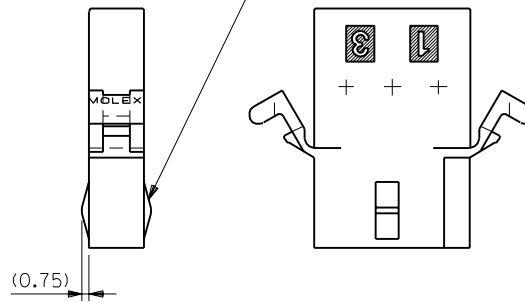


RECEPTACLE

MT'G EARS (表参照)
参照 DETAIL A OR B



LOCKING TAB (表参照)



パネル取付穴寸法
(パネル厚 2.29最大)

I396R4	03-09-1081	有	WITH	有	WITH DETAIL B
I396R2	03-09-1033	無	WITHOUT	無	WITHOUT
I396R1	03-09-1032	有	WITH	無	WITHOUT
I396R	03-09-1031	有	WITH	有	WITH DETAIL A
ENG. NO.	EDP NO.	LOCKING TABS		MT'G EARS	

MODEL NO.	03-09-1***	DIMENSIONS:	SHT	REV
SCALE	2:1	THIRD ANGLE PROJECTION	<input type="checkbox"/> mm	<input type="checkbox"/> INCH
DESIGN UNITS	<input checked="" type="checkbox"/> mm <input type="checkbox"/> INCH	<input type="checkbox"/> mm ONLY	<input type="checkbox"/> mm	<input checked="" type="checkbox"/> INCH
DRAWN BY & DATE	K.KOHAMA 00/08/28	TITLE:		
CHECKED BY & DATE	T.YAMAGUCHI 00/08/28	3 CIRCUITS RCPT HSG (0.093 DIA TERMINAL)		
APPROVED BY & DATE	M.FUKUSHIMA 00/08/28	MOLEX INCORPORATED		
CAD FILENAME	I396001.S01	MATERIAL NO.	DRAWING NO.	SHEET NO.
		SEE NOTES	SD-1396-001	1 OF 1

DO NOT SCALE DRAWING

EC NO. DRWN: CHK'G APPR:	EC NO. DRWN: CHK'G APPR:	EC NO. DRWN: CHK'G APPR:	EC NO. DRWN: CHK'G APPR:	RELEASED EC NO. JC2001-0078 DRWN: K.KOHAMA 00/08/28 CHK: T.YAMAGUCHI APPR: M.FUKUSHIMA
				DESCRIPTION

MATERIAL 材料	NYLON66 94V-2
FINISH 仕上り	
WIRE RANGE 適用電線範囲	
INS. RANGE 被覆外径	

GENERAL TOLERANCES: (UNLESS SPECIFIED) 一般公差	SCALE	DESIGN UNITS
10 UNDER 未満	+0.25 ±0.25	<input checked="" type="checkbox"/> mm <input type="checkbox"/> INCH
10 OVER 以上	+0.3 ±0.25	
30 UNDER 未満	+0.35 ±0.3	
30 OVER 以上		
ANGLE 角度	+3°	

THIS DRAWING CONTAINS INFORMATION THAT IS PROPRIETARY TO MOLEX INCORPORATED AND SHOULD NOT BE USED WITHOUT WRITTEN PERMISSION.