



Chipsmall Limited consists of a professional team with an average of over 10 year of expertise in the distribution of electronic components. Based in Hongkong, we have already established firm and mutual-benefit business relationships with customers from,Europe,America and south Asia,supplying obsolete and hard-to-find components to meet their specific needs.

With the principle of "Quality Parts,Customers Priority,Honest Operation,and Considerate Service",our business mainly focus on the distribution of electronic components. Line cards we deal with include Microchip,ALPS,ROHM,Xilinx,Pulse,ON,Everlight and Freescale. Main products comprise IC,Modules,Potentiometer,IC Socket,Relay,Connector.Our parts cover such applications as commercial,industrial, and automotives areas.

We are looking forward to setting up business relationship with you and hope to provide you with the best service and solution. Let us make a better world for our industry!



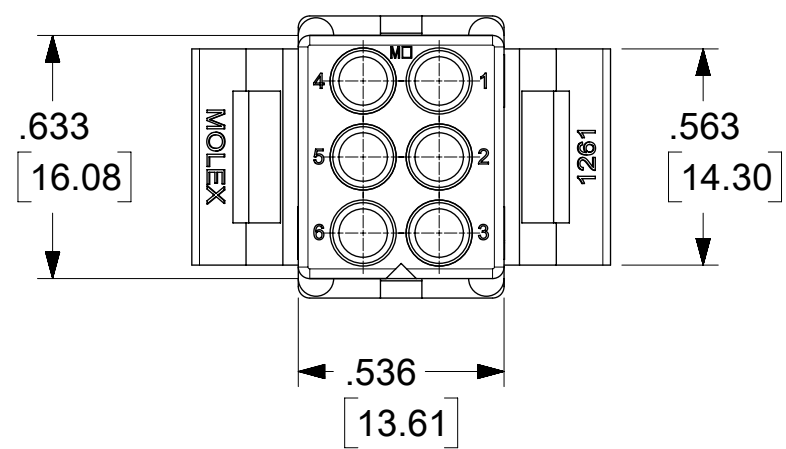
Contact us

Tel: +86-755-8981 8866 Fax: +86-755-8427 6832

Email & Skype: info@chipsmall.com Web: www.chipsmall.com

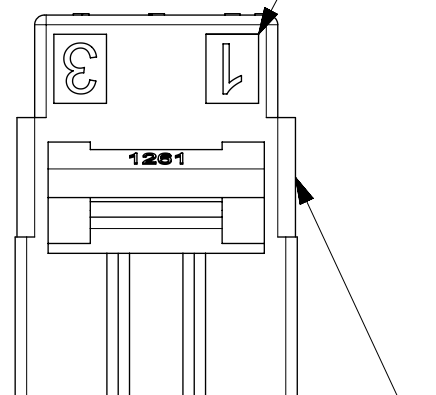
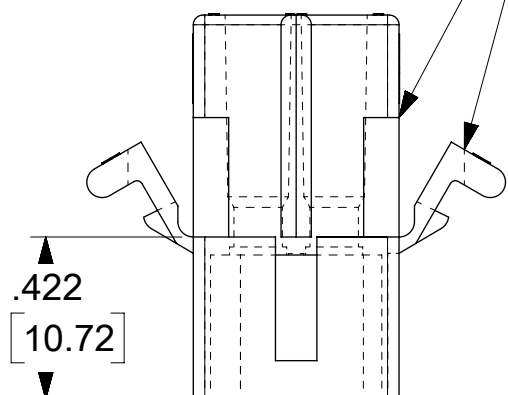
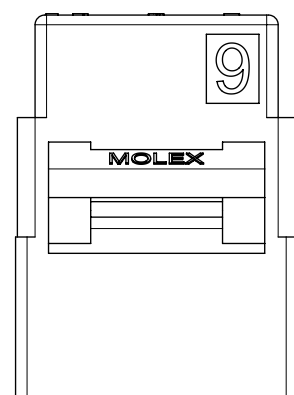
Address: A1208, Overseas Decoration Building, #122 Zhenhua RD., Futian, Shenzhen, China



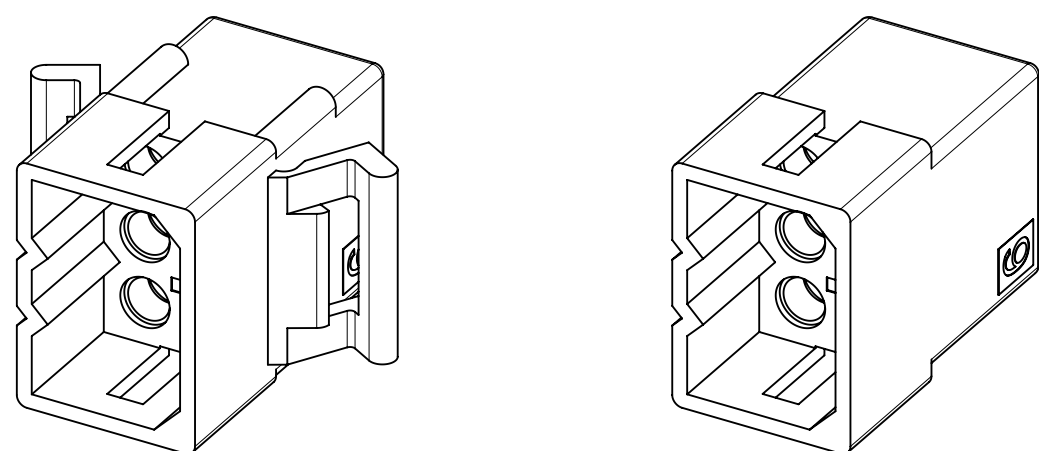
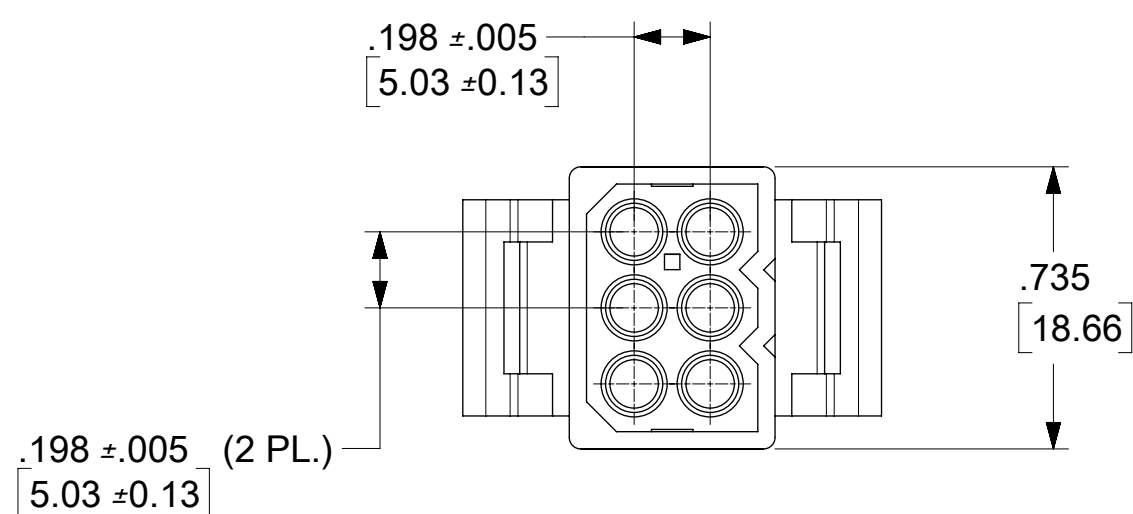


OPTIONAL MOUNTING EAR & RIB (PREBENT EAR SHOWN) SEE DETAIL H & E

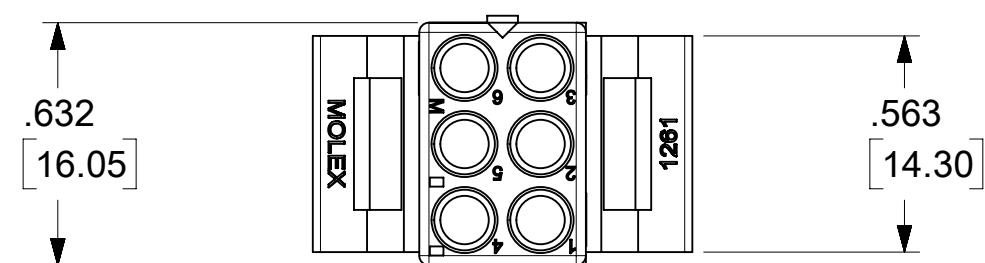
△ 6 CIRCUIT I.D. 3 PLACES



RIBS PRESENT ON PARTS WITH MOUNTING EARS ONLY

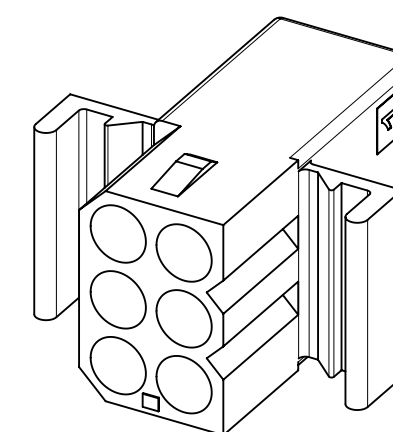
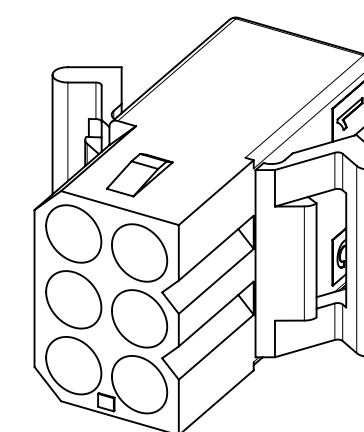
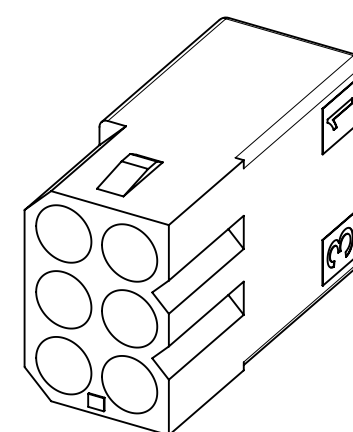
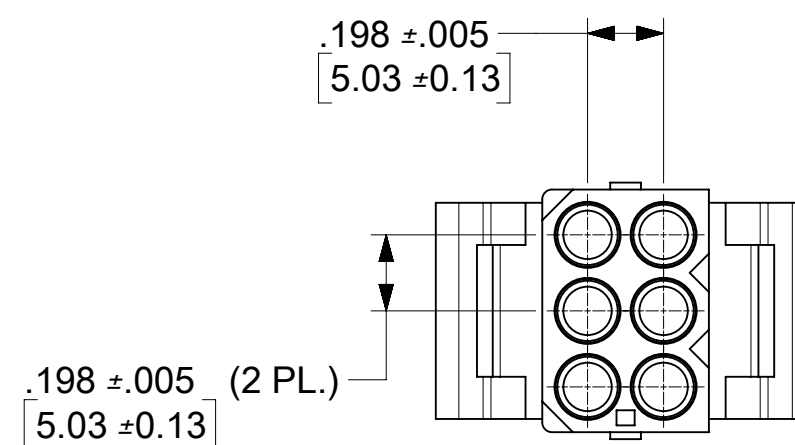
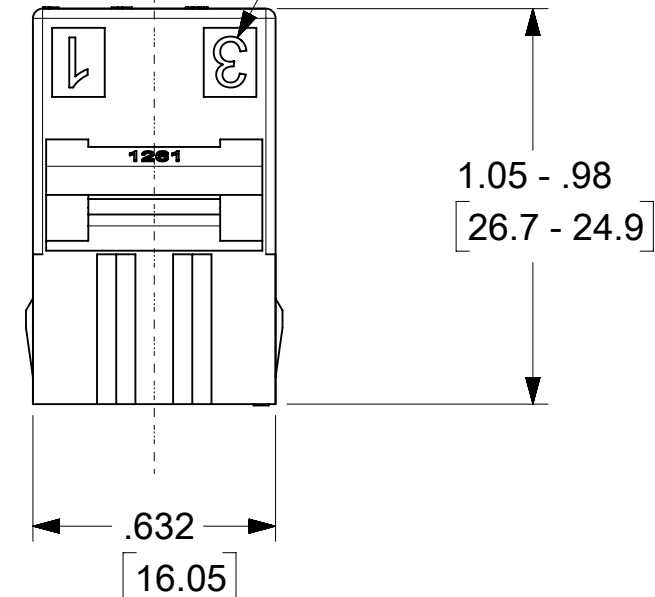
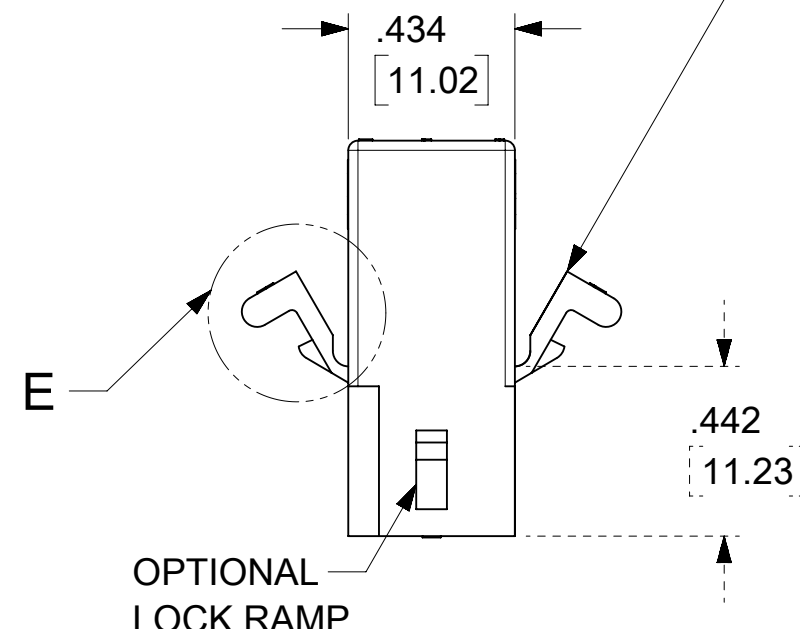
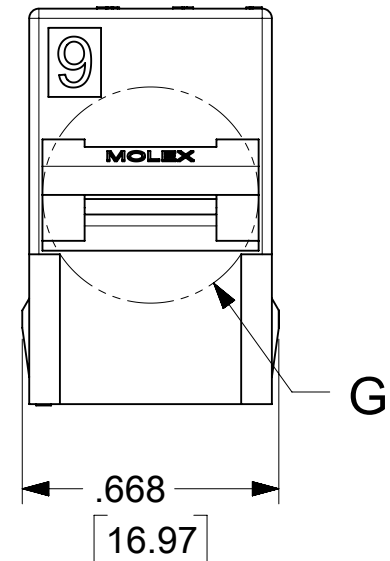


PLUG



OPTIONAL MOUNTING EAR (PREBENT EAR SHOWN) SEE DETAIL H & E

△ 6 CIRCUIT I.D. 3 PLACES



PREBENT MOUNTING EARS

STANDARD MOUNTING EARS


RECEPTACLE

QUALITY SYMBOLS	THIS DRAWING CONTAINS INFORMATION THAT IS PROPRIETARY TO MOLEX ELECTRONIC TECHNOLOGIES, LLC AND SHOULD NOT BE USED WITHOUT WRITTEN PERMISSION				
	GENERAL TOLERANCES (UNLESS SPECIFIED)		DIMENSION UNITS	SCALE	
▽ = 0	MM INCH		IN/MM	2:1	
▽ = 0	DRWN BY		DATE		
▽ = 0	4 PLACES ± ±		BAPPELDORN	2017/01/11	
▽ = 0	3 PLACES ± ± 0.007		CHK'D BY	DATE	
▽ = 0	2 PLACES ± 0.18 ± 0.01		MKIPPER	2017/01/11	
▽ = 0	1 PLACES ± 0.25 ±		APPR BY	DATE	
▽ = 0	0 PLACES ± ±		FSMITH	2017/01/18	
□ = 0	ANGULAR TOL ±		DRAWING SIZE	THIRD ANGLE PROJECTION	
■ = 0	DRAFT WHERE APPLICABLE MUST REMAIN WITHIN DIMENSIONS		C		
▽ = 0	A				
RELEASED		EC NO: 112485		SERIES	
2017/02/21		DRWN: MKIPPER		1261	
2017/02/21		CHK'D: MKIPPER		MATERIAL NUMBER	
2017/02/27		REV APPR: FSMITH		SEE CHART	
				CUSTOMER	
				GENERAL MARKET	
				DOCUMENT NUMBER	
				12610000-SD	
				DOC TYPE	
				PSD	
				DOC PART	
				000	
				SHEET NUMBER	
				1 OF 2	



.093/2.36 PLUG AND RECEPTACLE HOUSING

PRODUCT CUSTOMER DRAWING

PLUG	
PART NO.	ENG. NO.
03-09-2061	1261-P 
03-09-2062	1261-P1

RECEPTACLE	
PART NO.	ENG. NO.
03-09-1061	1261-R
03-09-1062	1261-R1
03-09-1063	1261-R2
03-09-1064	1261-R3
46999-0809	1261-R4
46999-0810	1261-R5

LEGEND: PLUG

1261 - P * * * - * * *

P = PLUG

BLANK = PLUG WITH PREBENT MOUNTING EARS
1 = PLUG WITHOUT MOUNTING EARS

COLOR: BLANK = NATURAL COLOR
AM= AMBER BK= BLACK BU= BLUE
BN= BROWN GY= GRAY GN= GREEN
OR= ORANGE RD= RED YW= YELLOW

MATERIAL: BLANK = NYLON 6/6, UL94V-2

LEGEND: RECEPTACLE

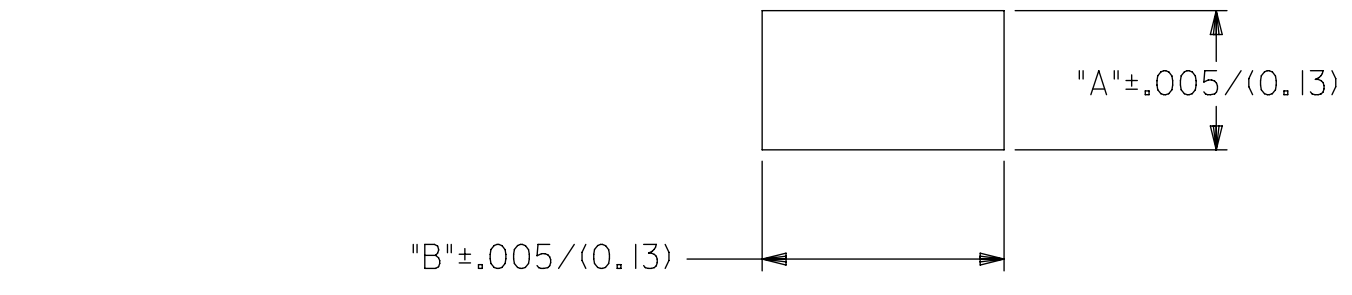
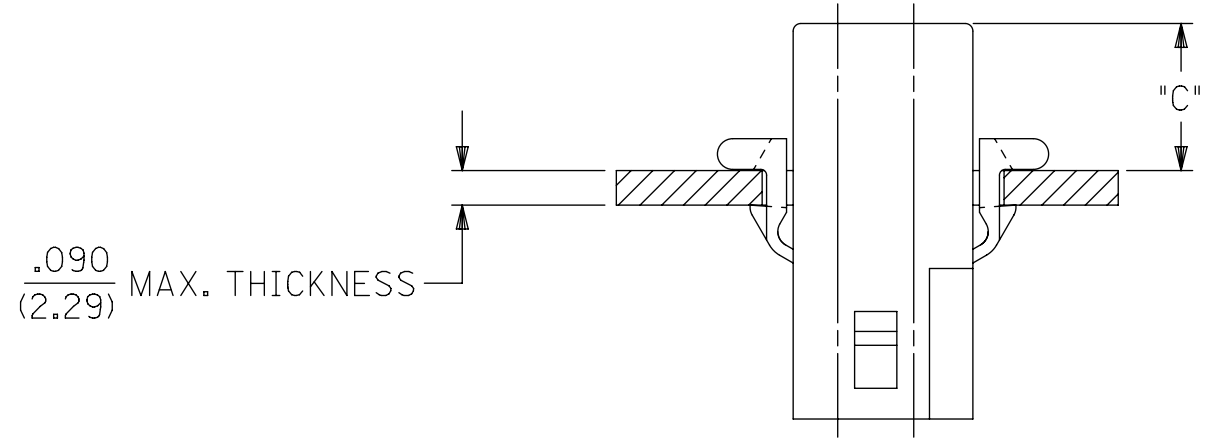
1261 - R * * * - * * *

R = RECEPTACLE

BLANK = WITH STD. MOUNTING EARS, WITH LOCK RAMP
1 = WITH STD. MOUNTING EARS, WITHOUT LOCK RAMP
2 = WITHOUT MOUNTING EARS, WITHOUT LOCK RAMP
3 = WITHOUT MOUNTING EARS, WITH LOCK RAMP
4 = WITH PREBENT MOUNTING EARS, WITH LOCK RAMP
5 = WITH PREBENT MOUNTING EARS, WITHOUT LOCK RAMP

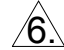
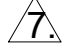
COLOR: BLANK = NATURAL COLOR
AM= AMBER BK= BLACK BU= BLUE
BN= BROWN GY= GRAY GN= GREEN
OR= ORANGE RD= RED YW= YELLOW

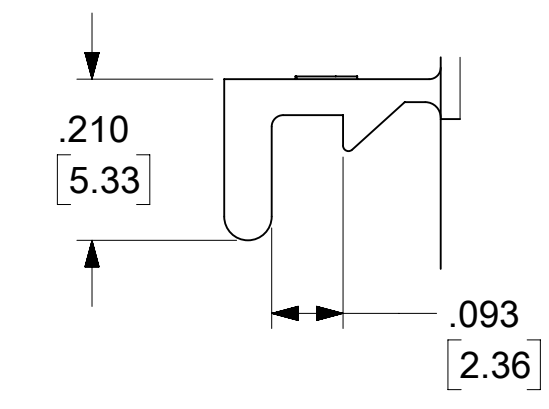
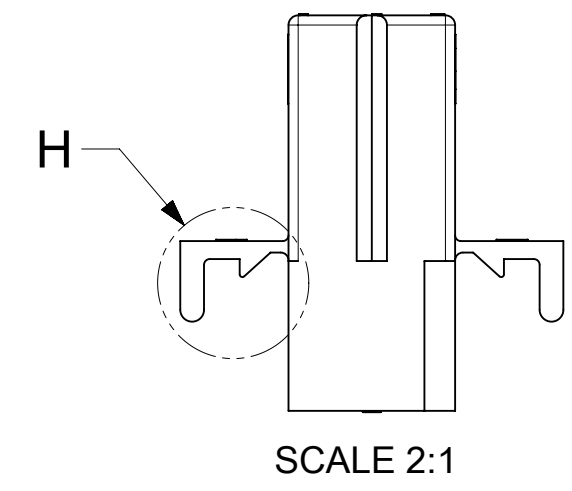
MATERIAL: BLANK = NYLON 6/6, UL94V-2



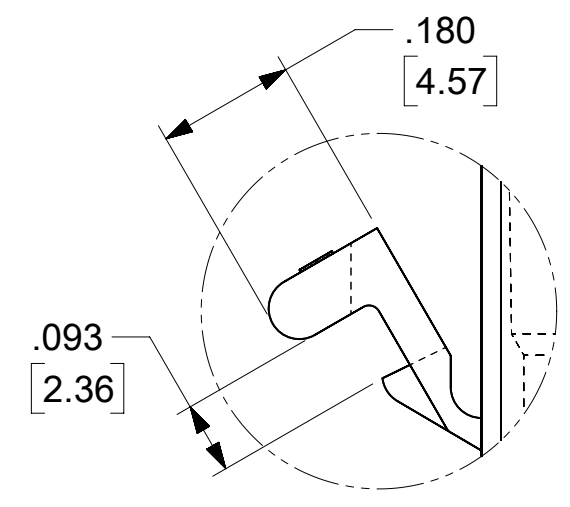
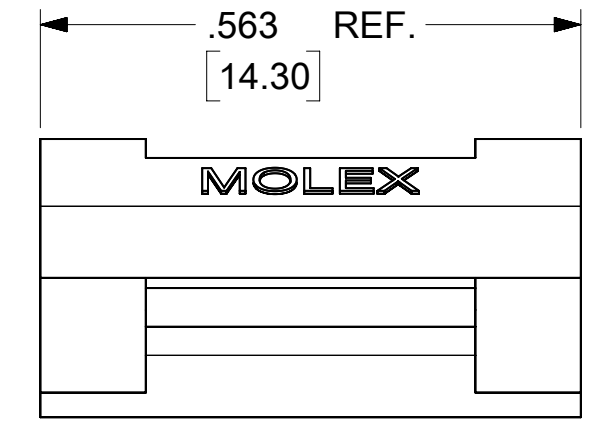
MOUNTING HOLE CUTOUT

HOUSING	DIM. "A"	DIM. "B"	DIM. "C" (STD. EAR)	DIM. C (PREBENT)
PLUG	.750/(19.05)	.695/(17.65)	.39/(9.9)	.40/(10.1)
RECEPTACLE	.718/(18.24)	.600/(15.24)	.40/(10.1)	.41/(10.3)

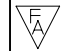


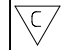
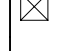
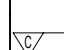


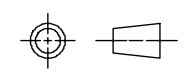
- NOTES:
- MATERIAL: SEE LEGEND
 - FINISH: NONE
 - PRODUCT SPECIFICATION: PS-43660-9999
 - PACKAGING INFORMATION: PK-1261-001
 - HOUSINGS FOR USE WITH MOLEX .093/(2.36) PIN AND SOCKET TERMINALS.
 -  CIRCUIT I.D. NUMBERS ON SIDE OF HOUSING APPEAR ON PARTS FROM TOOLS BUILT AFTER 9/3/91.
 -  WHERE DENOTED IN CHART, TOOLS ARE BUILT WITH PREBENT MOUNTING EARS PER DETAIL E AND SUPERSEDE ALL TOOLS PREVIOUSLY BUILT WITH THE STANDARD MOUNTING EARS.
 - TEXT AND CIRCUIT IDENTIFIERS ARE SHOWN IN APPROXIMATE LOCATION BUT MAY VARY TO ACCOMODATE TOOLING.
 - THIS PART CONFORMS TO CLASS B REQUIREMENTS OF COSMETIC SPECIFICATION PS-45499-002.
 - THIS DRAWING REPLACES SD-1261-*



DETAIL H
SCALE 4:1
.093/(2.36) STANDARD MOUNTING EAR



DETAIL E
SCALE 4:1
.093/(2.36) PREBENT MOUNTING EAR

QUALITY SYMBOLS  = 0  = 0  = 0  = 0  = 0  = 0  = 0	THIS DRAWING CONTAINS INFORMATION THAT IS PROPRIETARY TO MOLEX ELECTRONIC TECHNOLOGIES, LLC AND SHOULD NOT BE USED WITHOUT WRITTEN PERMISSION				DIMENSION UNITS IN/MM		SCALE 1:1				
	RELEASED EC NO: 112485 DRWN: MKIPPER CHKD: MKIPPER APPR: FSMITH	GENERAL TOLERANCES (UNLESS SPECIFIED)		DRWN BY BAPPELDORN		DATE 2017/01/11		.093/2.36 PLUG AND RECEPTACLE HOUSING			
		4 PLACES ± ±		CHKD BY MKIPPER		DATE 2017/01/11					
		3 PLACES ± ± 0.007		APPR BY FSMITH		DATE 2017/01/18					
2 PLACES ± 0.18 ± 0.01		DRAWING SIZE C		THIRD ANGLE PROJECTION 							
1 PLACES ± 0.25 ±		ANGULAR TOL ±		SERIES 1261		MATERIAL NUMBER SEE CHART		CUSTOMER GENERAL MARKET			
0 PLACES ± ±		DRAFT WHERE APPLICABLE MUST REMAIN WITHIN DIMENSIONS		DOCUMENT NUMBER 12610000-SD		DOC TYPE PSD		DOC PART 000		SHEET NUMBER 2 OF 2	