



Chipsmall Limited consists of a professional team with an average of over 10 year of expertise in the distribution of electronic components. Based in Hongkong, we have already established firm and mutual-benefit business relationships with customers from,Europe,America and south Asia,supplying obsolete and hard-to-find components to meet their specific needs.

With the principle of “Quality Parts,Customers Priority,Honest Operation,and Considerate Service”,our business mainly focus on the distribution of electronic components. Line cards we deal with include Microchip,ALPS,ROHM,Xilinx,Pulse,ON,Everlight and Freescale. Main products comprise IC,Modules,Potentiometer,IC Socket,Relay,Connector.Our parts cover such applications as commercial,industrial, and automotives areas.

We are looking forward to setting up business relationship with you and hope to provide you with the best service and solution. Let us make a better world for our industry!



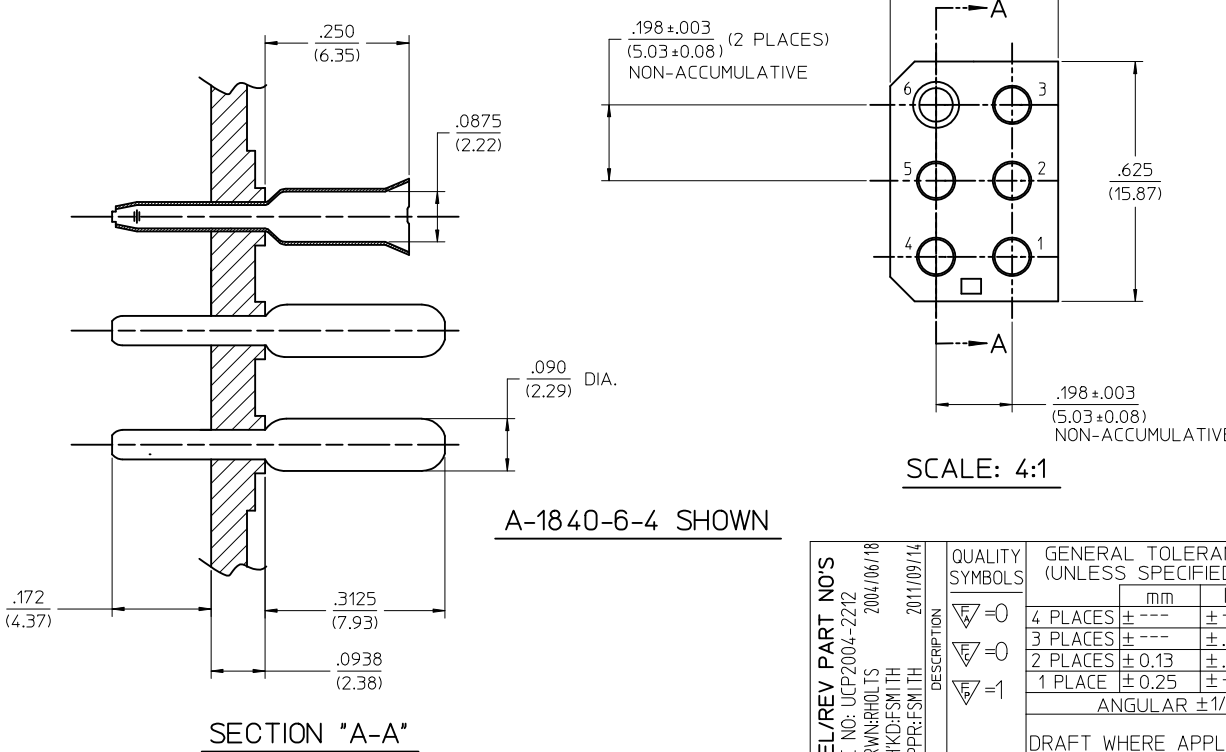
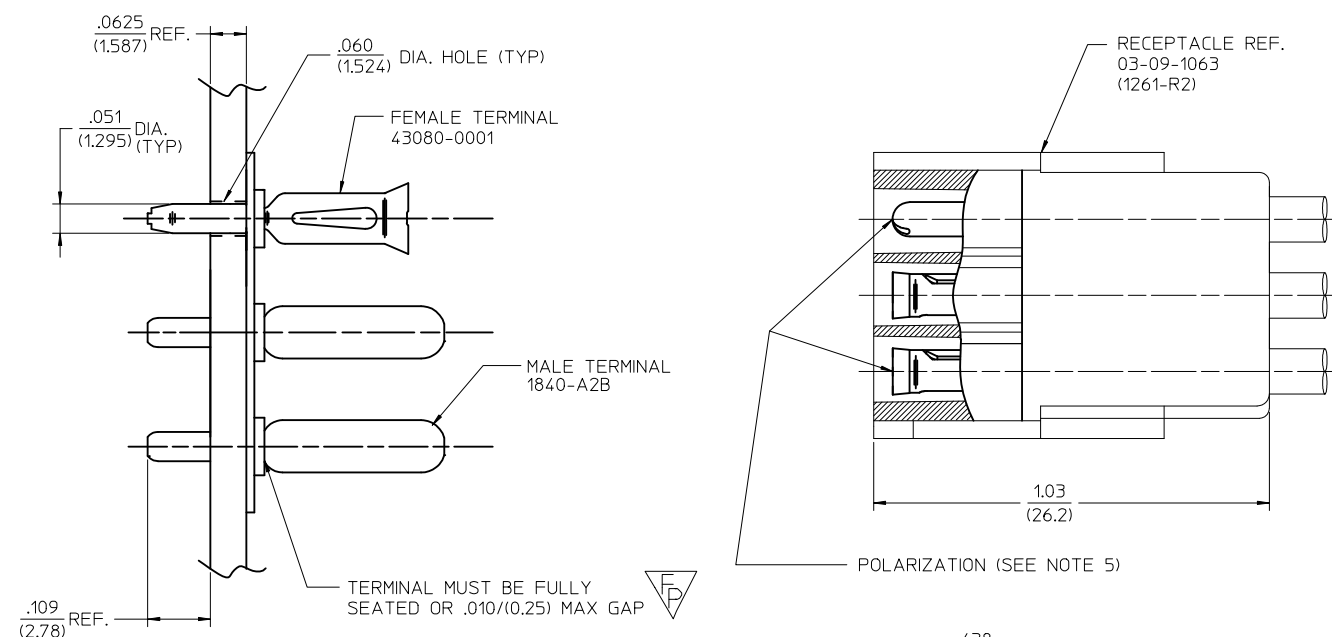
## Contact us

Tel: +86-755-8981 8866 Fax: +86-755-8427 6832

Email & Skype: info@chipsmall.com Web: www.chipsmall.com

Address: A1208, Overseas Decoration Building, #122 Zhenhua RD., Futian, Shenzhen, China

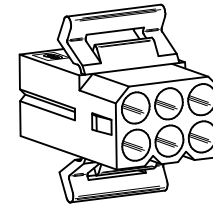
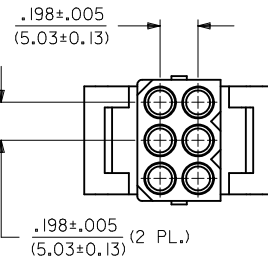
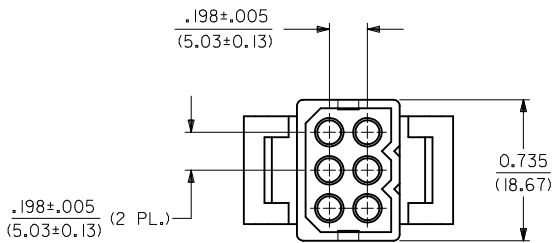
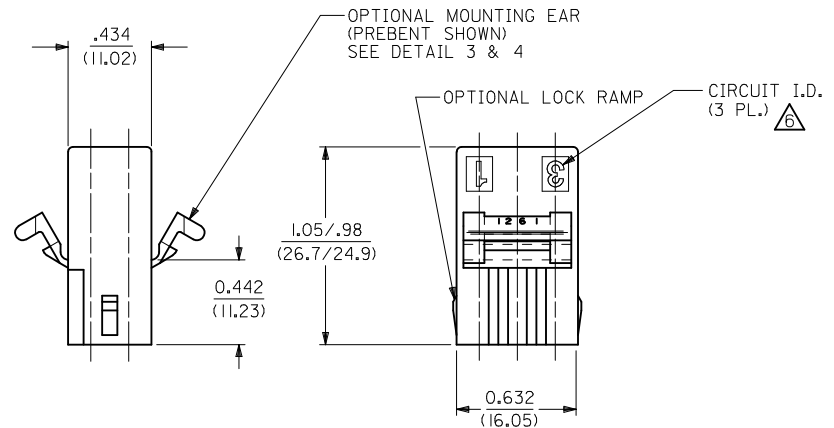
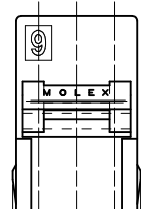
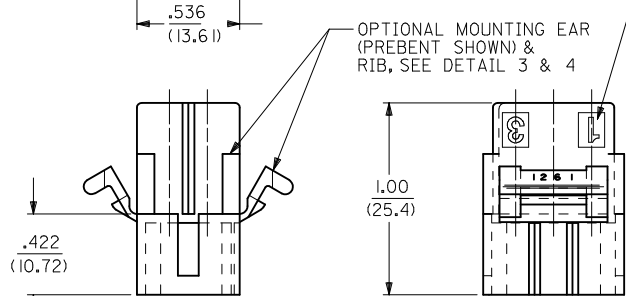
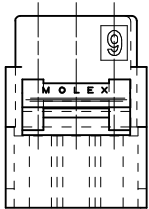
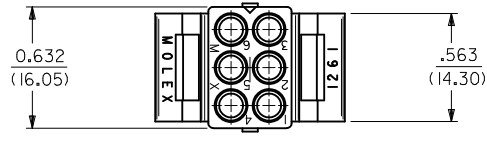
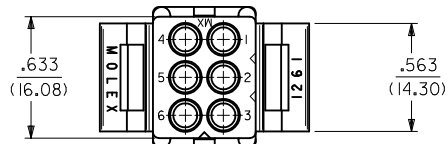




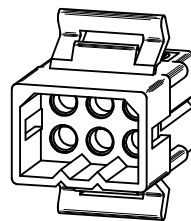
PART NO.	ENGINEERING NO.	TERMINAL PATTERN					
		1	2	3	4	5	6
09-18-5061	A-1840-6-4	M	M	M	M	M	F
09-18-5062	A-1840-6-5	M	M	M	M	F	M
09-18-5064	A-1840-6-6	M	M	M	F	M	M
09-18-5069	A-1840-6-10	F	M	M	M	M	M

- MATERIAL:  
BASE AND RECEPTACLE: NYLON PA66 PER 68200-0037, UL94V-2. COLOR: NATURAL  
TERMINALS: MALE - C26000 ALLOY BRASS  
FEMALE - C51000 PHOS. BRONZE
- FINISH:  
999 - UNPLATED  
102 - (MALE TERMINALS ONLY)  
.000200/0.00508 MIN. TIN OVER  
.000100/0.00254 MIN. COPPER  
126 - (FEMALE TERMINALS ONLY)  
.000050/0.00127 MIN. TIN  
.000050/0.00127 MIN. NICKEL
- PRODUCT SPECIFICATION: N/A
- PACKAGING SPECIFICATION: N/A
- POLARIZATION ACCOMPLISHED THROUGH AN INTER-MIX OF MALE AND FEMALE TERMINALS. (MOLEX .093 TERMINALS)
- TERMINAL PATTERN CODE:  
M = MALE TERMINALS  
F = FEMALE TERMINALS  
B = NO TERMINALS

REL/REV PART NO'S EC NO: UCP2004-2212 DRAWN: ROLTS 2004/06/18 CHKD: FSMITH APPR: FSMITH REV: A	DESCRIPTION 2011/09/14	QUALITY SYMBOLS	GENERAL TOLERANCES (UNLESS SPECIFIED)	DIMENSION STYLE IN/MM	SCALE 6:1	DESIGN UNITS INCH	THIRD ANGLE PROJECTION	
		▽=0	4 PLACES ± --- ± ---	DRAWN BY EWC	DATE 1974/04/30	CONNECTOR PC BOARD WAFERCON 6 CIRCUIT		
		▽=0	3 PLACES ± --- ± .005	CHECKED BY	DATE	MOLEX MOLEX INCORPORATED		
		▽=1	2 PLACES ± 0.13 ± .010 1 PLACE ± 0.25 ± --- ANGULAR ± 1/2°	APPROVED BY FSMITH	DATE 2011/09/14	MATERIAL NO. SEE CHART	DOCUMENT NO. 1840-6-*	SHEET NO. 1 OF 1
DRAFT WHERE APPLICABLE MUST REMAIN WITHIN DIMENSIONS			THIS DRAWING CONTAINS INFORMATION THAT IS PROPRIETARY TO MOLEX INCORPORATED AND SHOULD NOT BE USED WITHOUT WRITTEN PERMISSION					



**RECEPTACLE**



**PLUG**

<b>UPDATE REV. LEVEL</b> EC NO: UCP2011-1525 DRW: AELHAG CHKD: JBELL APPR: FSMITH	2010/11/23 2010/11/24 2010/12/03	<b>QUALITY SYMBOLS</b> ▽=0 ▽=0	<b>GENERAL TOLERANCES (UNLESS SPECIFIED)</b>		<b>DIMENSION STYLE</b> IN/MM	<b>SCALE</b> 2:1	<b>DESIGN UNITS</b> INCH	THIRD ANGLE PROJECTION			
			4 PLACES ± --- ± --- 3 PLACES ± --- ± .007 2 PLACES ± 0.18 ± 0.10 1 PLACE ± 0.25 ± ---	mm INCH	DRAWN BY DATE AELHAG 2010/11/23	CHECKED BY DATE JBELL 2010/11/24	APPROVED BY DATE FSMITH 2010/12/03	TITLE .093/(2.36) HOUSING, PLUG AND RECEPTACLE, 6 CKT., .198/(5.03)CTRS.	MATERIAL NO. SEE CHART	DOCUMENT NO. SD-1261-*	SHEET NO. 1 OF 2
			ANGULAR ± 2 °		DRAFT WHERE APPLICABLE MUST REMAIN WITHIN DIMENSIONS		MOLEX INCORPORATED		THIS DRAWING CONTAINS INFORMATION THAT IS PROPRIETARY TO MOLEX INCORPORATED AND SHOULD NOT BE USED WITHOUT WRITTEN PERMISSION		
			X4		REV		SIZE		C		

PLUG	
PART NO.	ENG. NO.
03-09-2061	I261-P
23-09-2061	I261-P-100
03-09-2062	I261-P1
23-09-2062	I261-P1-100
03-09-7061	I261-PBK
03-09-7062	I261-PIBK
27-09-2093	I261-P1-200

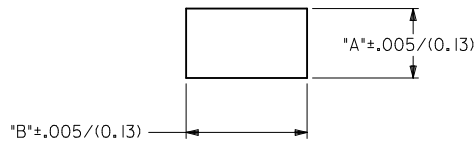
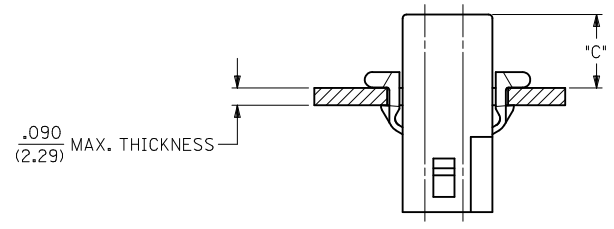
RECEPTACLE	
PART NO.	ENG. NO.
03-09-1061	I261-R
23-09-1061	I261-R-100
03-09-1062	I261-R1
23-09-1062	I261-R1-100
03-09-1063	I261-R2
23-09-1063	I261-R2-100
03-09-1064	I261-R3
27-09-1063	I261-R2-200
03-09-6064	I261-R3BK
03-09-6063	I261-R2BK
03-09-6062	I261-R1BK
03-09-6061	I261-RBK

**LEGEND: PLUG**

I261-P\*\*\*-\*\*\*  
 P = PLUG  
 I = PLUG WITHOUT MOUNTING EARS  
 BLANK = PLUG WITH PREBENT MOUNTING EARS  
 COLOR: BLANK=NATURAL COLOR  
 AM=AMBER BK=BLACK BU=BLUE  
 BN=BROWN GY=GRAY GN=GREEN  
 OR=ORANGE RD=RED YW=YELLOW  
 MATERIAL: BLANK = NYLON 6/6, U.L. 94V-2  
 100 = POLYPROPYLENE, U.L. 94V-0  
 200 = NYLON 6/6, U.L. 94V-0, RED

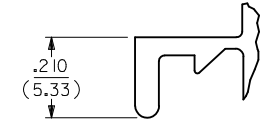
**LEGEND: RECEPTACLE**

I261-R\*\*\*-\*\*\*  
 R = RECEPTACLE  
 BLANK = WITH STD. MOUNTING EARS, WITH LOCK RAMPS  
 1 = WITH STD. MOUNTING EARS, WITHOUT LOCK RAMPS  
 2 = WITHOUT MOUNTING EARS, WITHOUT LOCK RAMPS  
 3 = WITHOUT MOUNTING EARS, WITH LOCK RAMPS  
 4 = WITH PREBENT MOUNTING EARS, WITH LOCK RAMPS  
 5 = WITH PREBENT MOUNTING EARS, WITHOUT LOCK RAMPS  
 COLOR: BLANK=NATURAL COLOR  
 AM=AMBER BK=BLACK BU=BLUE  
 BN=BROWN GY=GRAY GN=GREEN  
 OR=ORANGE RD=RED YW=YELLOW  
 MATERIAL: BLANK = NYLON 6/6, U.L. 94V-2  
 100 = POLYPROPYLENE, U.L. 94V-0  
 200 = NYLON 6/6, U.L. 94V-0, RED



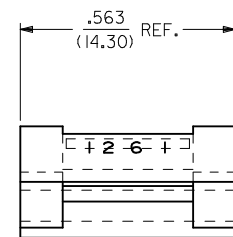
MOUNTING HOLE CUTOUT

HOUSING	DIM. "A"	DIM. "B"	DIM. "C" (STD. EAR)	DIM. "C" (PREBENT)
PLUG	.750/(19.05)	.695/(17.65)	.39/(9.9)	.40/(10.1)
RECEPTACLE	.718/(18.24)	.600/(15.24)	.40/(10.1)	.41/(10.3)



**DETAIL 3**

.093/(2.36) STANDARD MOUNTING EAR (SCALE 4:1)



**DETAIL 4**

.093/(2.36)PREBENT MOUNTING EAR (SCALE 4:1)

**NOTES:**

- MATERIAL: SEE LEGEND
- FINISH: NONE.
- PRODUCT SPECIFICATION: PS-43660-9999
- PACKAGING INFORMATION: PK-1261-001
- HOUSINGS FOR USE WITH MOLEX .093/(2.36) PIN AND SOCKET TERMINALS.
- CIRCUIT I.D. NUMBERS ON SIDE OF HOUSING APPEAR ON PARTS FROM TOOLS BUILT AFTER 9/3/91.
- WHERE DENOTED IN CHART, TOOLS ARE BUILT WITH PREBENT MOUNTING EARS PER DETAIL 4 AND SUPERSEDE ALL TOOLS PREVIOUSLY BUILT WITH THE STANDARD MOUNTING EAR.
- TEXT AND CIRCUIT IDENTIFIERS ARE SHOWN IN APPROXIMATE LOCATION BUT MAY VARY TO ACCOMMODATE TOOLING.

DEL. UV MAT'L & P/N EC NO: UCP2011-1525 DRWN: AELHAG 2010/11/23 CHKD: JBELL 2010/11/24 APPR: FSMITH 2010/12/03	QUALITY SYMBOLS = 0 = 0	GENERAL TOLERANCES (UNLESS SPECIFIED)		DIMENSION STYLE <b>IN/MM</b>	SCALE <b>4:1</b>	DESIGN UNITS <b>INCH</b>	THIRD ANGLE PROJECTION	
		4 PLACES ± --- ± ---	DRAWN BY AELHAG	DATE 2010/11/23	TITLE <b>.093/(2.36) HOUSING, PLUG AND RECEPTACLE, 6 CKT., .198/(5.03)CTRS.</b>			
		3 PLACES ± --- ± .007	CHECKED BY JBELL	DATE 2010/11/24	MOLEX INCORPORATED			
		2 PLACES ± 0.18 ± .010	APPROVED BY FSMITH	DATE 2010/12/03	SEE CHART			
1 PLACE ± 0.25 ± ---	ANGULAR ± 2 °		MATERIAL NO. <b>SD-1261-*</b>	DOCUMENT NO.	SHEET NO. <b>2 OF 2</b>			
DRAFT WHERE APPLICABLE MUST REMAIN WITHIN DIMENSIONS		THIS DRAWING CONTAINS INFORMATION THAT IS PROPRIETARY TO MOLEX INCORPORATED AND SHOULD NOT BE USED WITHOUT WRITTEN PERMISSION						

13

12

11

10

9

8

7

6

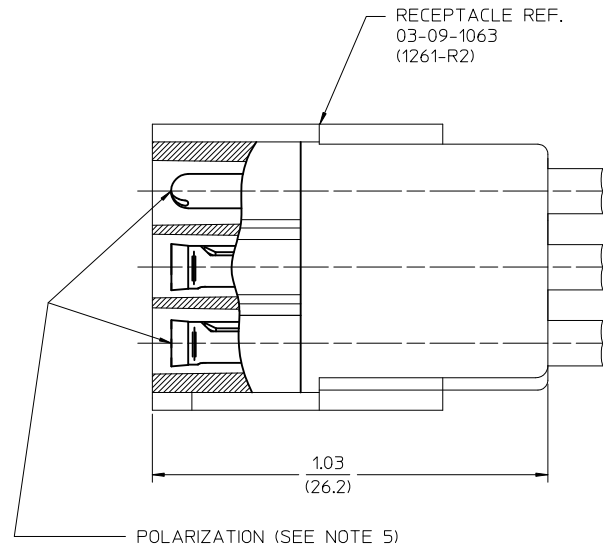
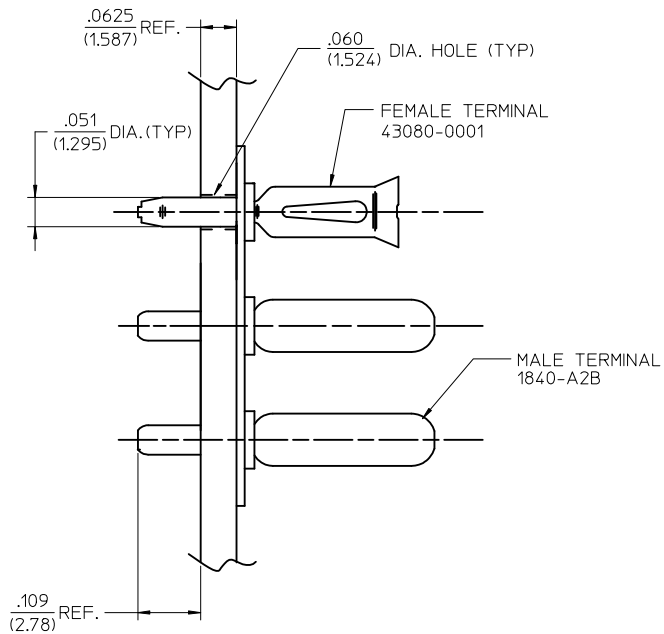
5

4

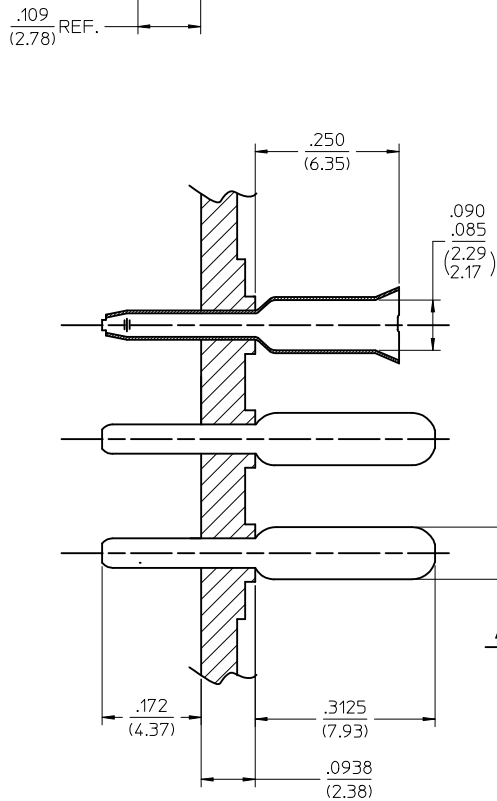
3

2

1

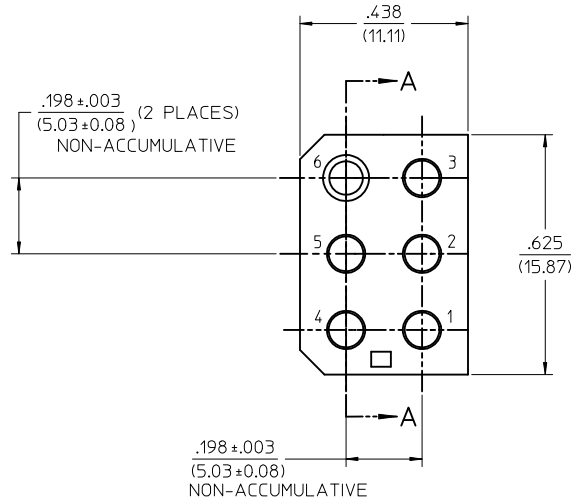


PART NO.	ENGINEERING NO.	TERMINAL PATTERN					
		1	2	3	4	5	6
09-18-5061	A-1840-6-4	M	M	M	M	M	F
09-18-5062	A-1840-6-5	M	M	M	M	F	M
09-18-5064	A-1840-6-6	M	M	M	F	M	M
09-18-5069	A-1840-6-10	F	M	M	M	M	M



SECTION "A-A"

A-1840-6-4 SHOWN



SCALE: 4:1

## NOTES:

- MATERIAL:  
BASE AND RECEPTACLE: NYLON PA66, UL94V-0, COLOR: NATURAL  
TERMINALS: MALE - BRASS ALLOY  
FEMALE - PHOSPHOR BRONZE ALLOY
- FINISH:  
MALE TERMINALS: .000200/0.00508 MIN. TIN OVER  
.000100/0.00254 MIN. COPPER  
FEMALE TERMINALS: .000050/0.00127 MIN. TIN OVER  
.000050/0.00127 MIN. NICKEL
- PRODUCT SPECIFICATION: N/A
- PACKAGING SPECIFICATION: N/A
- POLARIZATION ACCOMPLISHED THROUGH AN INTER-MIX OF MALE AND FEMALE TERMINALS. (MOLEX .093 TERMINALS)
- TERMINAL PATTERN CODE:  
A.) M = MALE TERMINALS  
B.) F = FEMALE TERMINALS  
C.) B = NO TERMINALS
- PARTS TO BE MOUNTED ON SUPPORTED EDGE OF P.C. BOARD.

REL/REV PART NO'S	EC NO: UCP2004-2212	DRW:NCSTEWART	2010/12/09	CHKD:	2011/09/14	APPR:FSMITH	DESCRIPTION	GENERAL TOLERANCES (UNLESS SPECIFIED)		DIMENSION STYLE		SCALE	DESIGN UNITS	THIRD ANGLE PROJECTION	
								mm	INCH	IN/MM	DATE	INCH	DATE	TITLE	
								4 PLACES	± .005	± .005	DRAWN BY	6:1	INCH	CONNECTOR	
								3 PLACES	± .013	± .010	DATE			PC BOARD WAFERCON	
								2 PLACES	± 0.25	± .010	CSTEWART			6 CIRCUIT	
								1 PLACE	± 0.25	± .010	CHECKED BY			MOLEX INCORPORATED	
								ANGULAR ±1/2°			APPROVED BY			MATERIAL NO.	
								DRAFT WHERE APPLICABLE MUST REMAIN WITHIN DIMENSIONS			DATE			DOCUMENT NO.	
											FSMITH			SDA-1840-6-*	
														SHEET NO.	
														1 OF 1	
														THIS DRAWING CONTAINS INFORMATION THAT IS PROPRIETARY TO MOLEX INCORPORATED AND SHOULD NOT BE USED WITHOUT WRITTEN PERMISSION	

12

11

10

9

8

7

6

5

4

3

2

1