



Chipsmall Limited consists of a professional team with an average of over 10 year of expertise in the distribution of electronic components. Based in Hongkong, we have already established firm and mutual-benefit business relationships with customers from,Europe,America and south Asia,supplying obsolete and hard-to-find components to meet their specific needs.

With the principle of "Quality Parts,Customers Priority,Honest Operation,and Considerate Service",our business mainly focus on the distribution of electronic components. Line cards we deal with include Microchip,ALPS,ROHM,Xilinx,Pulse,ON,Everlight and Freescale. Main products comprise IC,Modules,Potentiometer,IC Socket,Relay,Connector.Our parts cover such applications as commercial,industrial, and automotives areas.

We are looking forward to setting up business relationship with you and hope to provide you with the best service and solution. Let us make a better world for our industry!



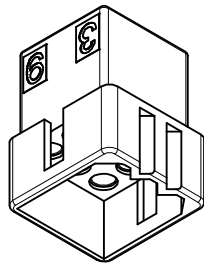
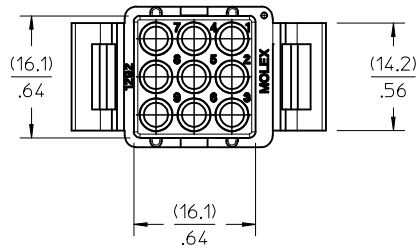
## Contact us

Tel: +86-755-8981 8866 Fax: +86-755-8427 6832

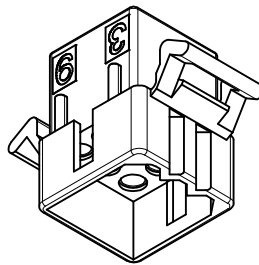
Email & Skype: info@chipsmall.com Web: www.chipsmall.com

Address: A1208, Overseas Decoration Building, #122 Zhenhua RD., Futian, Shenzhen, China

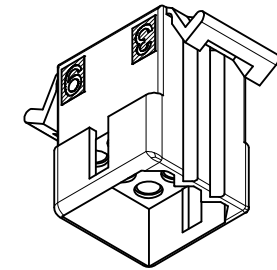
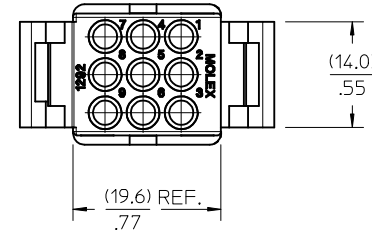




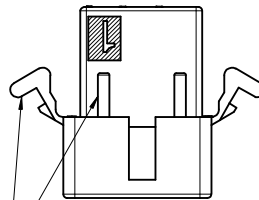
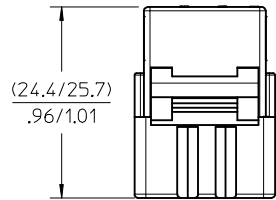
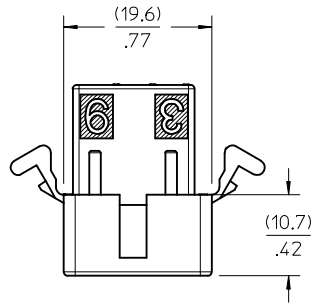
PLUG  
1292-P1 SHOWN



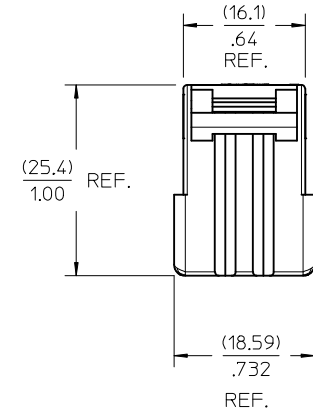
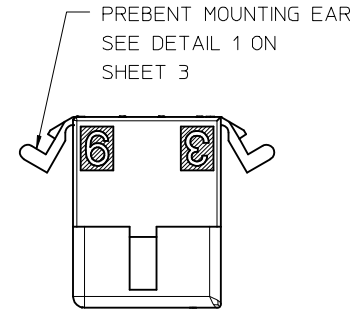
PLUG  
1292-P2 SHOWN (WITH  
RIBS & PREBENT EARS)



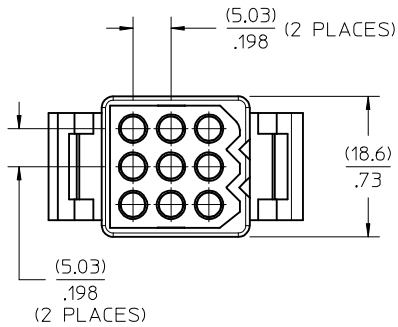
PLUG  
1292-P SHOWN  
(WITH BOTTOM MOUNT PREBENT EARS)



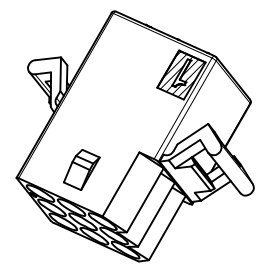
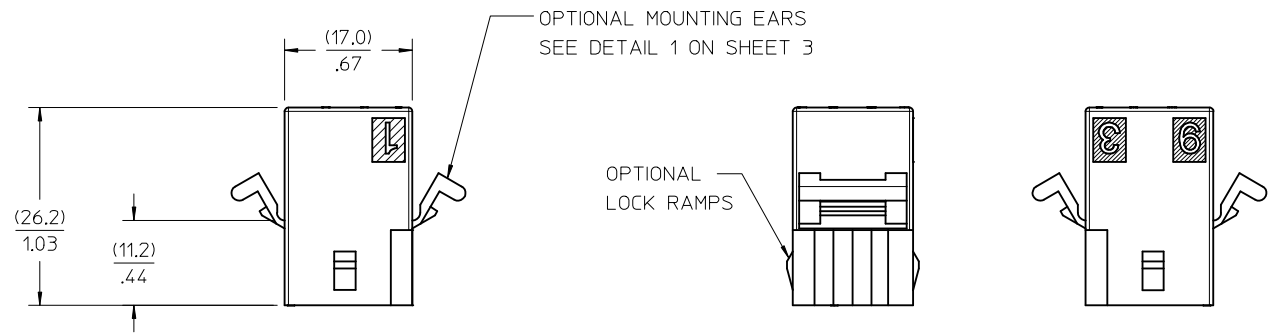
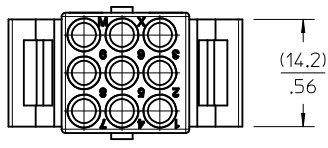
MOUNTING EARS AND  
RIBS OPTION (SEE DETAIL 1 & NOTE 6  
ON SHEET 3)



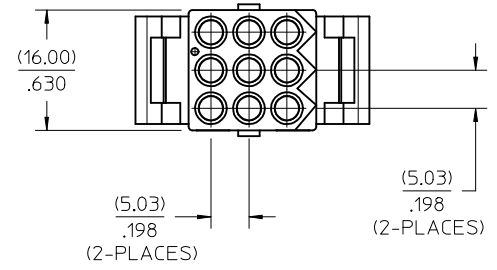
BOTTOM MOUNT PREBENT EAR OPTION



ADD SHEETS 2-3 EC NO: UCP2014-3075 DRW:WKIPPER 2014/01/27 CHKD:JBELL 2014/01/27 APPR:FSMITH 2014/02/14	DESCRIPTION	QUALITY SYMBOLS	GENERAL TOLERANCES (UNLESS SPECIFIED)		DIMENSION STYLE	SCALE	DESIGN UNITS	THIRD ANGLE PROJECTION
	REV		mm	INCH	MM/IN	2:1	INCH	
		▽=0	4 PLACES ±---	±.010	DRAWN BY	DATE	TITLE	
		▽=0	3 PLACES ±---	±.014	CSTEWART	2011/07/21	.093/(2.36) HOUSING, PLUG 9 CKT. .198/(5.03) CTRS	
		▽=0	2 PLACES ±0.25	±---	CHECKED BY	DATE		
		▽=0	1 PLACE ±0.35	±---	APPROVED BY	DATE	MOLEX INCORPORATED	
			ANGULAR ±1/2°		FSMITH	2011/09/12		
			DRAFT WHERE APPLICABLE MUST REMAIN WITHIN DIMENSIONS		MATERIAL NO.	SEE CHART	DOCUMENT NO.	SHEET NO.
					SIZE	THIS DRAWING CONTAINS INFORMATION THAT IS PROPRIETARY TO MOLEX INCORPORATED AND SHOULD NOT BE USED WITHOUT WRITTEN PERMISSION	SD-1292-0001	1 OF 3



**RECEPTACLE**  
1292-R SHOWN  
(WITH PREBENT MOUNTING EARS & LOCK RAMPS)



SEE SHEET 1 EC NO: UCP2014-3075 DRWN:KIPPER 2014/01/27 CHKD:JBELL 2014/01/27 APPR:FSMITH 2014/02/14 W	QUALITY SYMBOLS ▽=0 ▽=0 ▽=0	GENERAL TOLERANCES (UNLESS SPECIFIED) mm INCH 4 PLACES ± --- ± .010 3 PLACES ± --- ± .014 2 PLACES ± 0.25 ± --- 1 PLACE ± 0.35 ± --- ANGULAR ± 1/2°	DIMENSION STYLE MM/IN DRAWN BY DATE C STEWART 2011/07/21 CHECKED BY DATE	SCALE 2:1 DESIGN UNITS INCH THIRD ANGLE PROJECTION	TITLE .093/(2.36) HOUSING, PLUG 9 CKT. .198/(5.03) CTRS	MATERIAL NO. SEE CHART	APPROVED BY DATE FSMITH 2011/09/12	MOLEX INCORPORATED DOCUMENT NO. SD-1292-0001	SHEET NO. 2 OF 3	
	DRAFT WHERE APPLICABLE MUST REMAIN WITHIN DIMENSIONS		THIS DRAWING CONTAINS INFORMATION THAT IS PROPRIETARY TO MOLEX INCORPORATED AND SHOULD NOT BE USED WITHOUT WRITTEN PERMISSION							

PLUG	
PART NO.	ENG. NO.
03-09-2091	1292-P
03-09-2092	1292-P1
03-09-7091	1292-PBK
03-09-7092	1292-P1BK
NOT TOOLED	1292-P2
27-09-2092	1292-P1-A

RECEPTACLE	
PART NO.	ENG. NO.
03-09-1091	1292-R
03-09-1092	1292-R1
03-09-6091	1292-RBK
03-09-6092	1292-R1BK
03-09-1093	1292-R2
03-09-6093	1292-R2BK
03-09-1094	1292-R3
03-09-6094	1292-R3BK
27-09-1093	1292-R2-A

**LEGEND: PLUG**

1292-P \* \* \* \* \*

P = PLUG

BLANK = WITH PREBENT BOTTOM MOUNT EARS

1 = WITHOUT EARS

2 = PLUG WITH PREBENT EARS & RIBS

COLOR: BLANK=NATURAL COLOR

AM=AMBER BK=BLACK BU=BLUE

BN=BROWN GY=GRAY GN=GREEN

OR=ORANGE RD=RED YW=YELLOW

MATERIAL: BLANK = NYLON 6/6, U.L. 94V-2

A = NYLON 6/6, U.L. 94V-0

**LEGEND: RECEPTACLE**

1292-R \* \* \* \* \*

R = RECEPTACLE

BLANK = WITH PREBENT EARS, WITH LOCK RAMP

1 = WITH PREBENT EARS, WITHOUT LOCK RAMP

2 = WITHOUT EARS, WITHOUT LOCK RAMP

3 = WITHOUT EARS, WITH LOCK RAMP

COLOR: BLANK=NATURAL COLOR

AM=AMBER BK=BLACK BU=BLUE

BN=BROWN GY=GRAY GN=GREEN

OR=ORANGE RD=RED YW=YELLOW

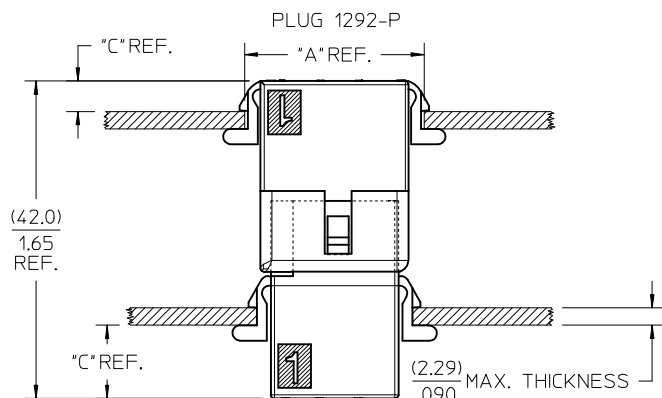
MATERIAL: BLANK = NYLON 6/6, U.L. 94V-2

A = NYLON 6/6, U.L. 94V-0

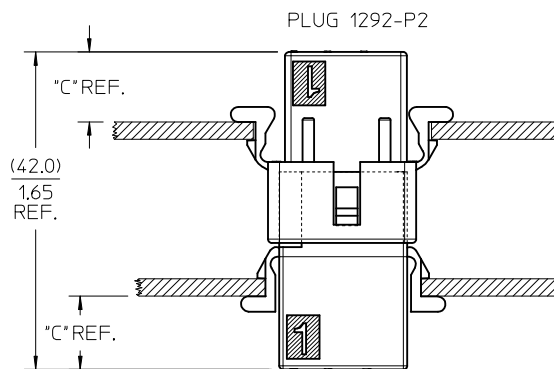
**NOTES:**

1. MATERIAL: SEE LEGEND
2. FINISH: N/A
3. THESE PARTS COMPLY WITH MOLEX PRODUCT SPEC. PS-02-09.
4. PACKAGING: PK-1292-001
5. HOUSINGS FOR USE WITH MOLEX .093/(2.36) PIN AND SOCKET TERMINALS.
6. RIBS ARE PRESENT ONLY ON PLUG 1292-P2.

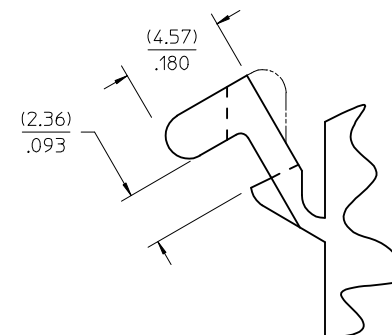
HOUSING	DIM. "A"	DIM. "B"	DIM. "C"
STD. PLUG	(23.62)/.930	(19.30)/.760	(9.9)/.39
BOTTOM MOUNT PLUG	(23.80)/.937	(16.76)/.660	(4.1)/.16
RECEPTACLE	(21.03)/.828	(18.42)/.725	(10.4)/.41



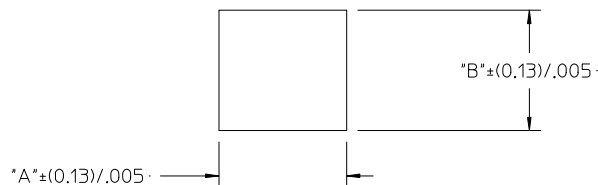
RECEPTACLE 1292-R



RECEPTACLE 1292-R



DETAIL 1  
.093/(2.36) PREBENT MOUNTING EAR



DETAIL 2  
PANEL CUTOUT VIEW

<b>SEE SHEET 1</b> EC NO: UCP2014-3075 DRW:WKIPPER 2014/01/27 CHKD:JBELL 2014/01/27 APPR:FSMITH 2014/02/14	QUALITY SYMBOLS ▽=0 ▽=0 ▽=0	GENERAL TOLERANCES (UNLESS SPECIFIED)		DIMENSION STYLE <b>MM/IN</b>		SCALE <b>2:1</b>	DESIGN UNITS <b>INCH</b>	THIRD ANGLE PROJECTION
		mm	INCH	DRAWN BY	DATE	TITLE		
		4 PLACES ± --- ±.010		CSTEWART	2011/07/21	<b>.093/(2.36) HOUSING,          PLUG 9 CKT.          .198/(5.03) CTRS</b>		
		3 PLACES ± --- ±.014		CHECKED BY	DATE			
2 PLACES ± 0.25 ± ---		APPROVED BY	DATE	<b>molex</b>				
1 PLACE ± 0.35 ± ---		FSMITH	2011/09/12					
0 PLACE ± ±		MATERIAL NO. <b>SEE CHART</b>		DOCUMENT NO. <b>SD-1292-0001</b>	SHEET NO. <b>3 OF 3</b>			
DRAFT WHERE APPLICABLE MUST REMAIN WITHIN DIMENSIONS						THIS DRAWING CONTAINS INFORMATION THAT IS PROPRIETARY TO MOLEX INCORPORATED AND SHOULD NOT BE USED WITHOUT WRITTEN PERMISSION		