



Chipsmall Limited consists of a professional team with an average of over 10 year of expertise in the distribution of electronic components. Based in Hongkong, we have already established firm and mutual-benefit business relationships with customers from,Europe,America and south Asia,supplying obsolete and hard-to-find components to meet their specific needs.

With the principle of “Quality Parts,Customers Priority,Honest Operation,and Considerate Service”,our business mainly focus on the distribution of electronic components. Line cards we deal with include Microchip,ALPS,ROHM,Xilinx,Pulse,ON,Everlight and Freescale. Main products comprise IC,Modules,Potentiometer,IC Socket,Relay,Connector.Our parts cover such applications as commercial,industrial, and automotives areas.

We are looking forward to setting up business relationship with you and hope to provide you with the best service and solution. Let us make a better world for our industry!



Contact us

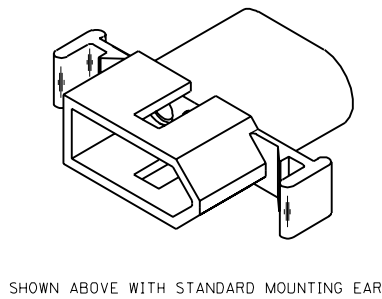
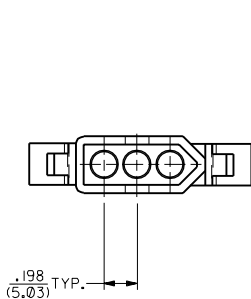
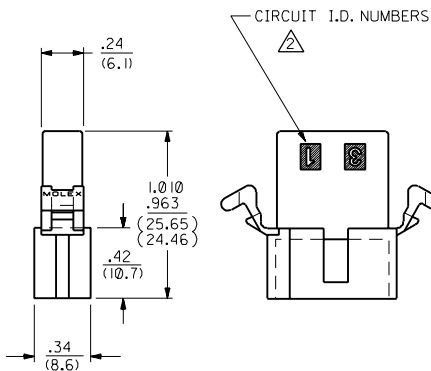
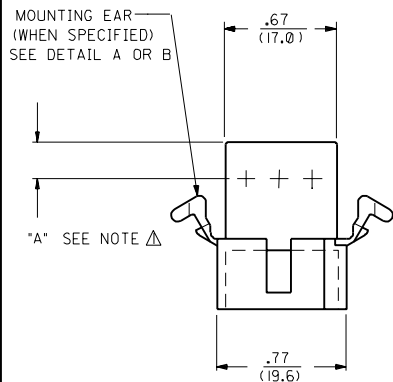
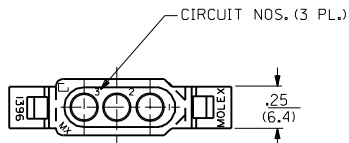
Tel: +86-755-8981 8866 Fax: +86-755-8427 6832

Email & Skype: info@chipsmall.com Web: www.chipsmall.com

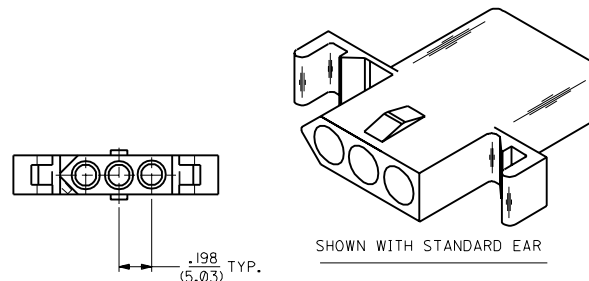
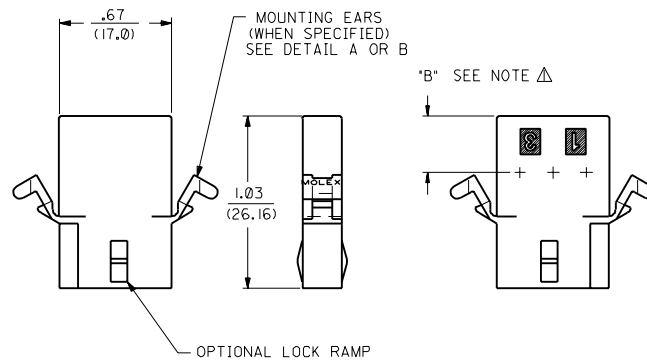
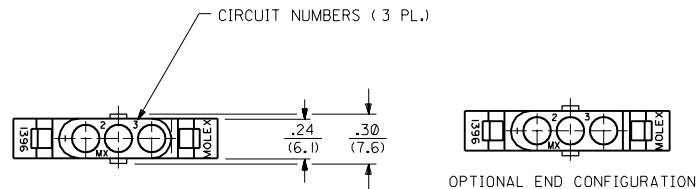
Address: A1208, Overseas Decoration Building, #122 Zhenhua RD., Futian, Shenzhen, China



PLUG



RECEPTACLE



NOTES:
 Δ DIMENSION FROM THE BACK OF HOUSING TO THE END OF THE BRUSH ON THE WIRE INSERTED INTO THE HOUSING
 DIM "A" = .256/6.50 FOR 42477 & 42478 TERMINALS
 .216/5.49 FOR ALL OTHER .093 TERMINALS
 DIM "B" = .377/9.58 FOR 42477 & 42478 TERMINALS
 .337/8.56 FOR ALL OTHER .093 TERMINALS

Y3	REVISED PER UCR2000-0583 3/1/00 DDS
Y2	REMOVE -R3, -R5 VER. PER ECN #16 1479 6-10-96 RW
Y1	X-REMOVE 1396-R4 ECR U3 1583 GC 10/26/93 RW
Y	ADD CKT. I.D. #'S PER ECR U3 0683 GC 5/4/93 RW
X	REV MAT'L SPECS. ECR U2-1491 10-08-92 A.GUZIK
W1	ADD -D VERSIONS. ECR U1 1106 GC 7/25/91 RW
W	REVISE ON CAD ECR #UB 1381 JJS 4-24-88 RW
2	Y2
1	Y3
MFG. SH.	REV. LTR.
REVISE ONLY ON CAD SYSTEM	

DIMENSIONS SHOWN METRIC (INCH) UNLESS OTHERWISE SPECIFIED TOLERANCES ANGULAR ± 1/2°

INCH	METRIC
3 PLACE ± .010	---
2 PLACE ± .014	± 0.25
1 PLACE ---	± 0.36

DRAFT WHERE APPLICABLE MUST REMAIN WITHIN DIMENSIONS

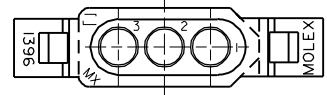
DRWG. BY: RAS
 APP'D: RAS
 FILE NAME: S1396.3X1.DWG
 DATE: 4/3/88

TITLE: .093/(2.36) HOUSING, PLUG & RECEPTACLE
 3 CIRCUIT, 198/(5.03) C

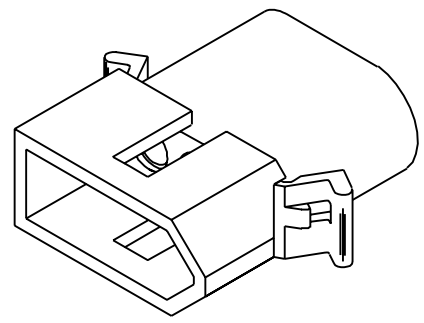
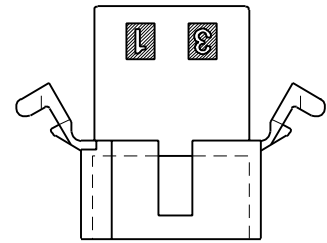
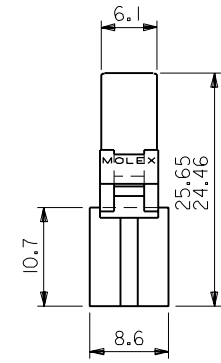
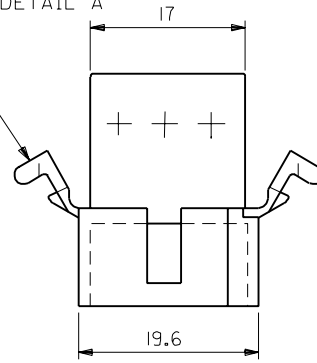
PART NO. L15LEJLL 60532
 MOLEX INCORPORATED
 U.S.A.

SHEET NO. 1 OF 2
 DATE 4/3/88

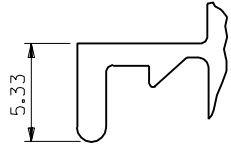
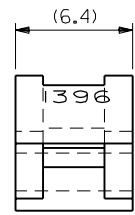
DRWG. NO. SD-1396-•



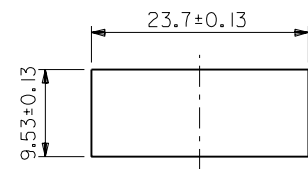
MT'G EARS (表参照)
参照 DETAIL A



PLUG



DETAIL A
(SCALE 4:1)



パネル取付寸法
(パネル厚 2.29最大)

I396PI	03-09-2032	無	WITHOUT
I396P	03-09-2031	有	WITH
ENG. NO.	EDP NO.		MT'G EARS

DO NOT SCALE DRAWING

EC NO. DRWN: CHK: APPR:	EC NO. DRWN: CHK: APPR:	EC NO. DRWN: CHK: APPR:	EC NO. DRWN: CHK: APPR:
RELEASED			
EC NO. JC2001-0078			
DRWN: K.KOHAMA 00/08/28			
CHK: T.YAMAGUCHI			
APPR: M.FUKUSHIMA			

MATERIAL 材料	NYLON66 94V-2
FINISH 仕上り	
WIRE RANGE 適用線径範囲	
INS. RANGE 被覆径	

GENERAL TOLERANCES: (UNLESS SPECIFIED) 一般公差	SCALE 2 : 1	DESIGN UNITS <input checked="" type="checkbox"/> mm <input type="checkbox"/> INCH
10 UNDER 未満	+0.25 ±0.2	DRAWN BY & DATE K.KOHAMA 00/08/28
10 OVER 以上	+0.3 ±0.25	CHECKED BY & DATE T.YAMAGUCHI 00/08/28
30 UNDER 未満	+0.35 ±0.3	APPROVED BY & DATE M.FUKUSHIMA 00/08/28
30 OVER 以上		CAD FILENAME I396002.S01
ANGLE 角度	+3°	

MODEL NO.	03-09-2***	DIMENSIONS:		SHT	REV
		<input type="checkbox"/> mm <input type="checkbox"/> INCH	<input checked="" type="checkbox"/> mm ONLY		
THIRD ANGLE PROJECTION		REVISE ON CAD ONLY			
TITLE: 3 CIRCUITS PLUG HSG (0.093 DIA TERMINAL)					
MOLEX INCORPORATED					
MATERIAL NO.	DRAWING NO.	SHEET NO.		SIZE	
SEE NOTES	SD-1396-002	1 OF 1		B	

THIS DRAWING CONTAINS INFORMATION THAT IS PROPRIETARY TO MOLEX INCORPORATED AND SHOULD NOT BE USED WITHOUT WRITTEN PERMISSION.