



Chipsmall Limited consists of a professional team with an average of over 10 year of expertise in the distribution of electronic components. Based in Hongkong, we have already established firm and mutual-benefit business relationships with customers from,Europe,America and south Asia,supplying obsolete and hard-to-find components to meet their specific needs.

With the principle of “Quality Parts,Customers Priority,Honest Operation,and Considerate Service”,our business mainly focus on the distribution of electronic components. Line cards we deal with include Microchip,ALPS,ROHM,Xilinx,Pulse,ON,Everlight and Freescale. Main products comprise IC,Modules,Potentiometer,IC Socket,Relay,Connector.Our parts cover such applications as commercial,industrial, and automotives areas.

We are looking forward to setting up business relationship with you and hope to provide you with the best service and solution. Let us make a better world for our industry!



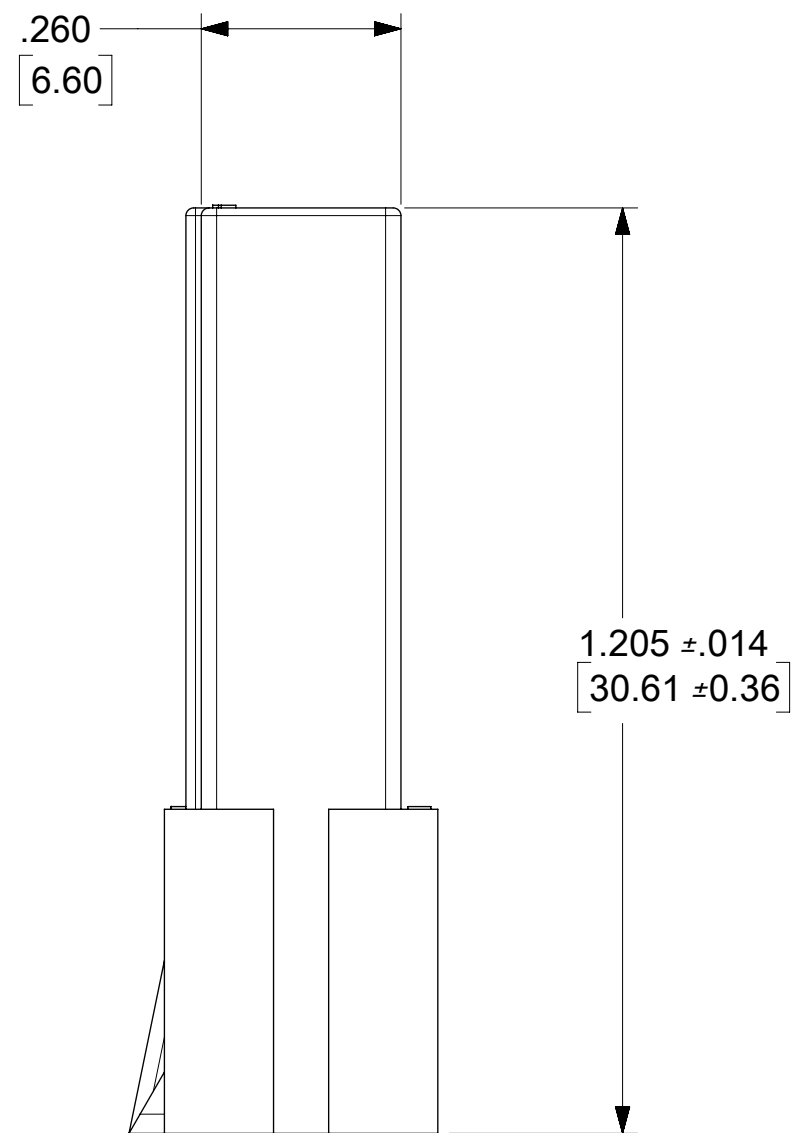
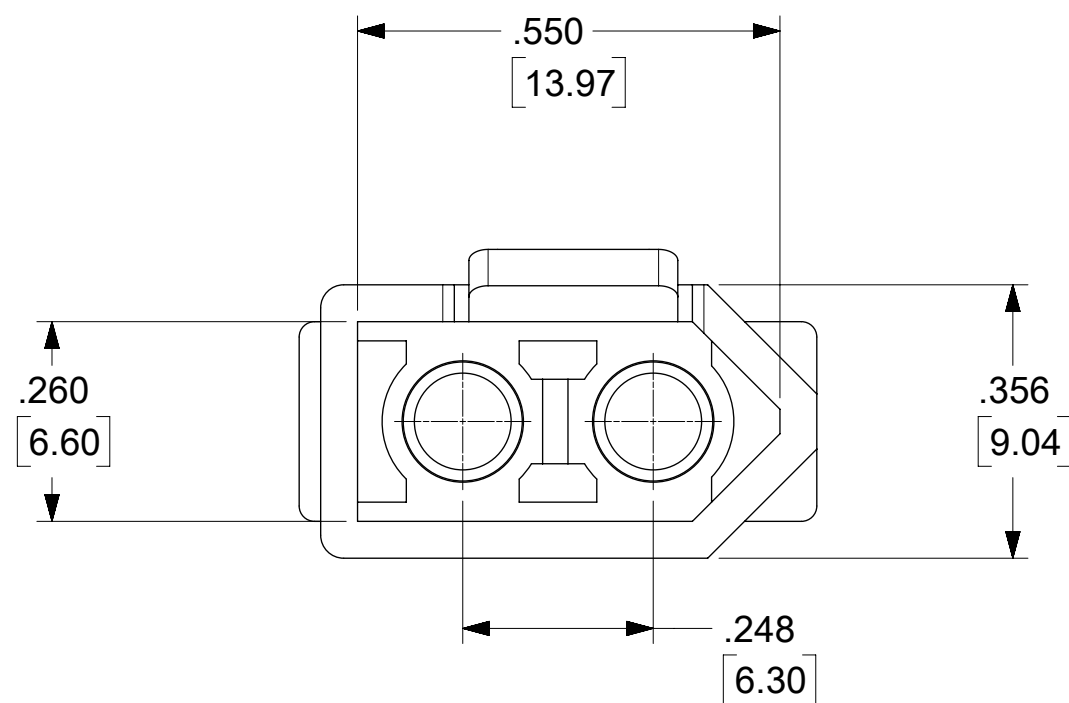
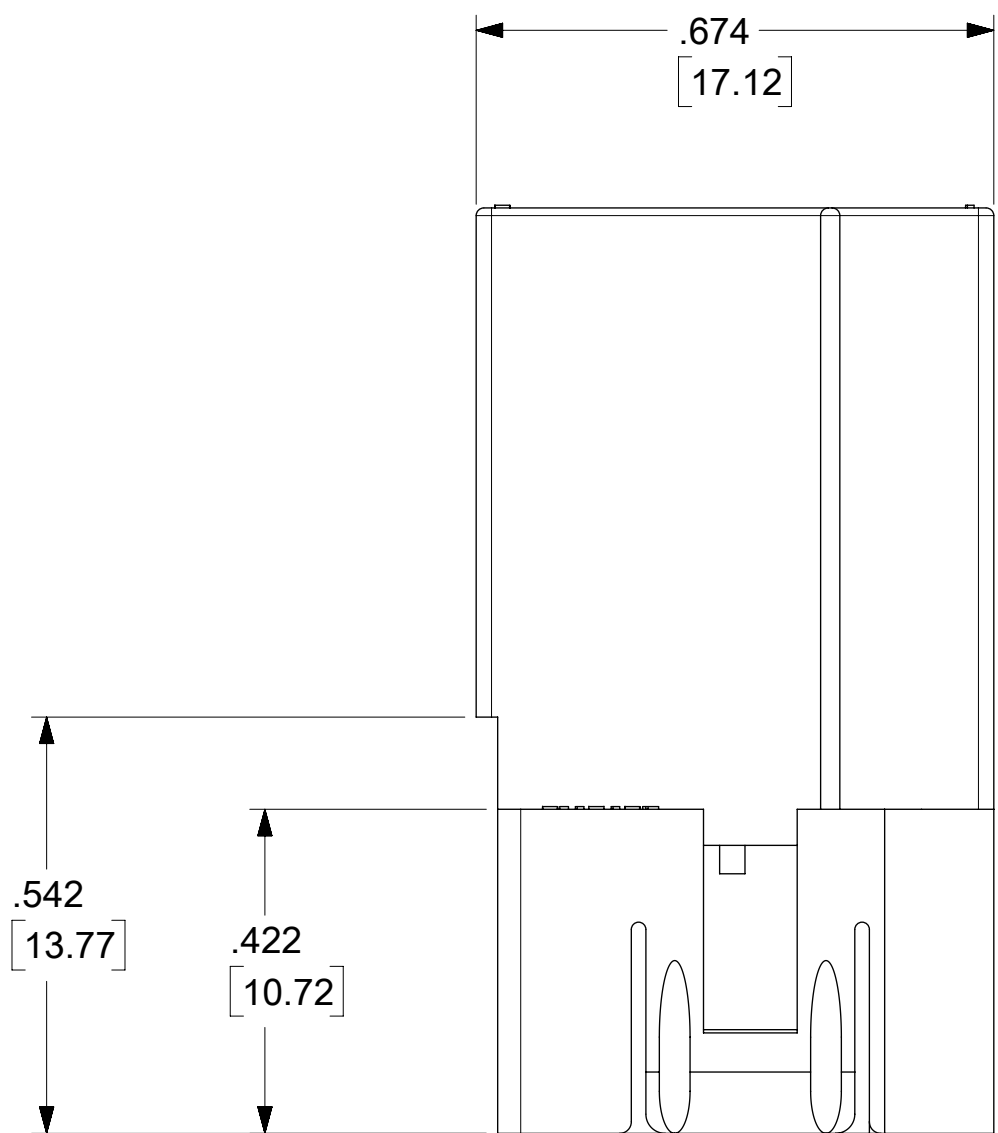
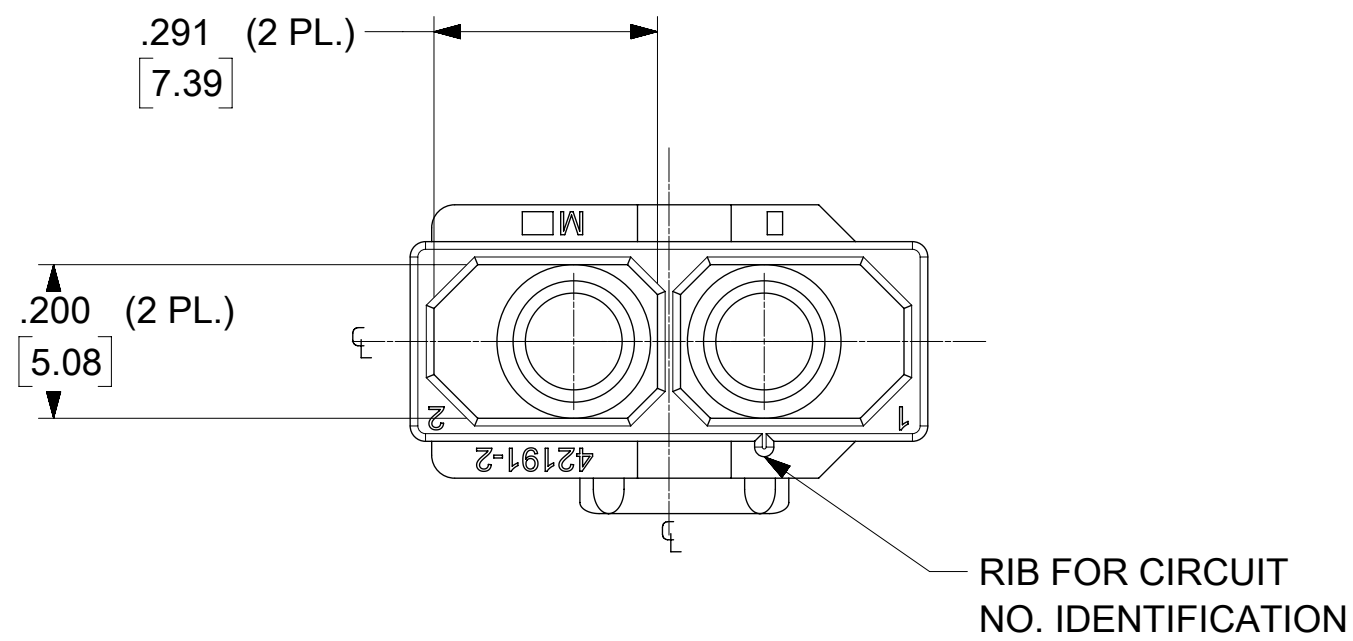
Contact us

Tel: +86-755-8981 8866 Fax: +86-755-8427 6832

Email & Skype: info@chipsmall.com Web: www.chipsmall.com

Address: A1208, Overseas Decoration Building, #122 Zhenhua RD., Futian, Shenzhen, China



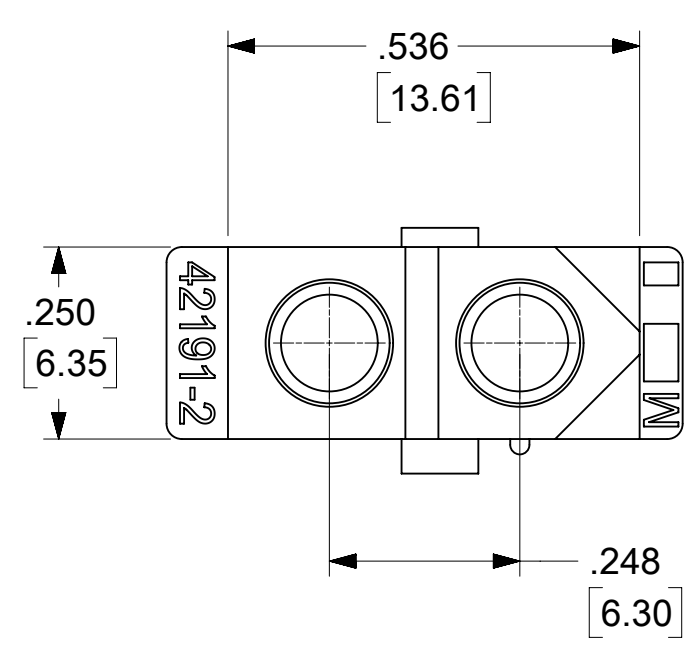
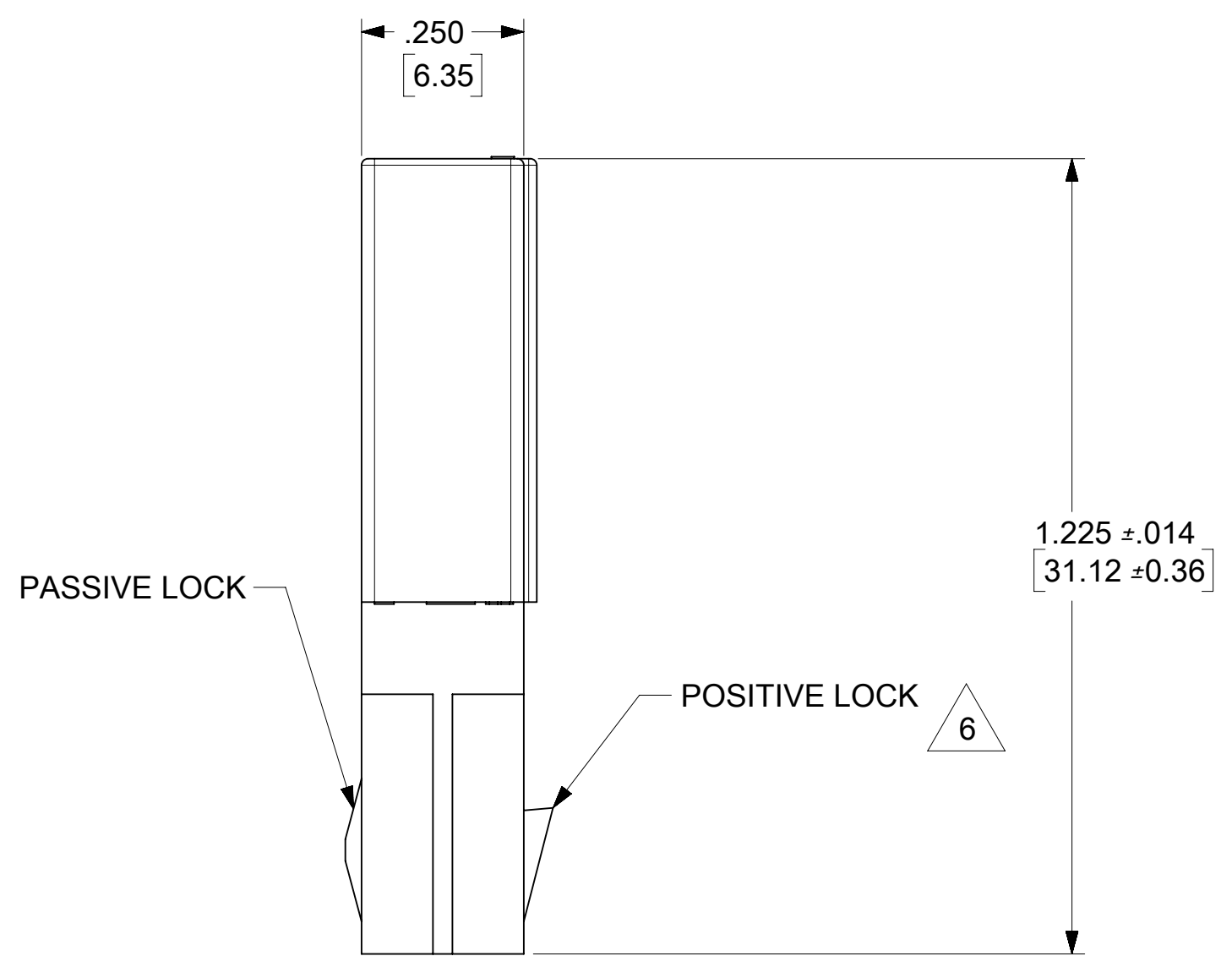
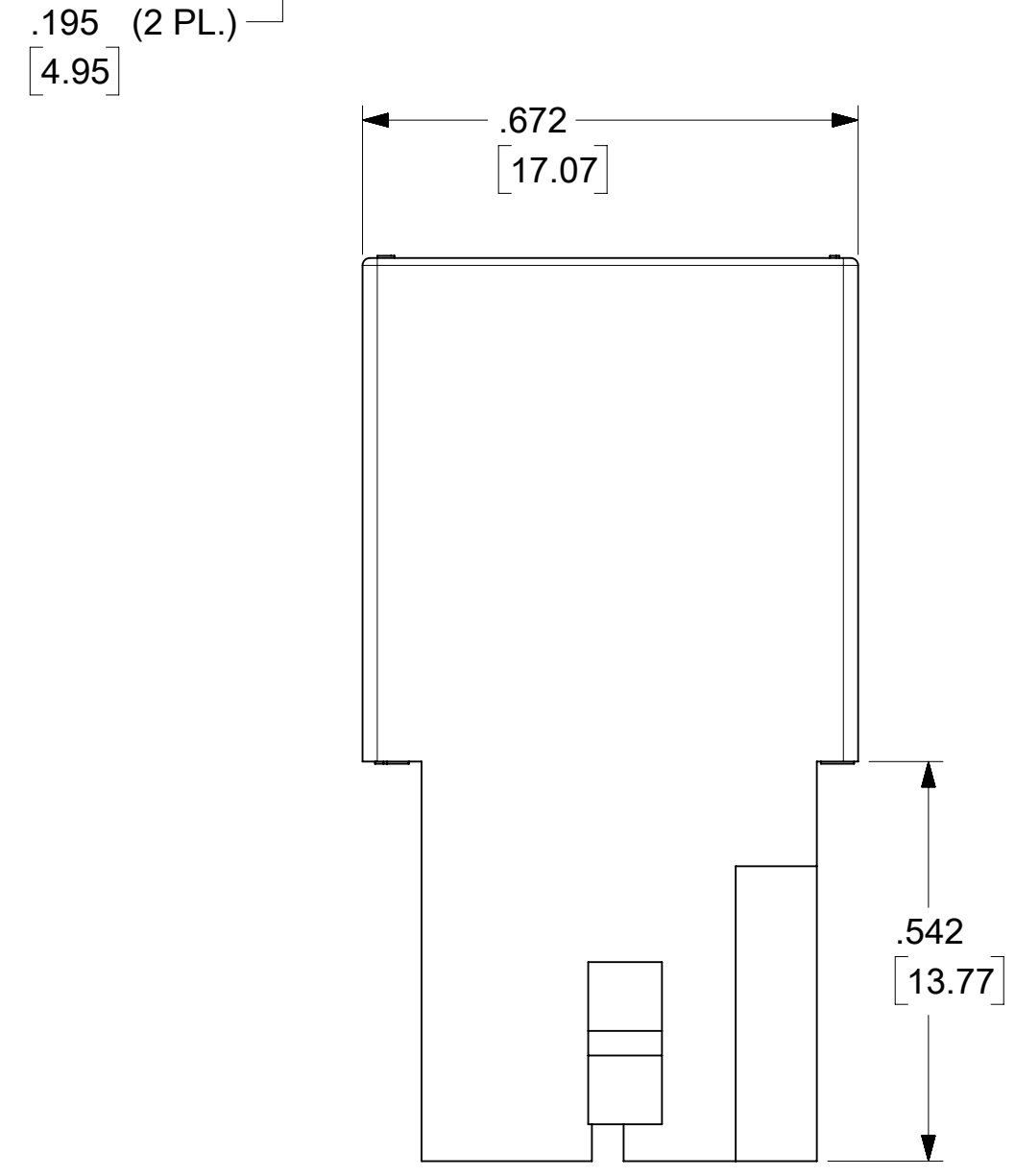
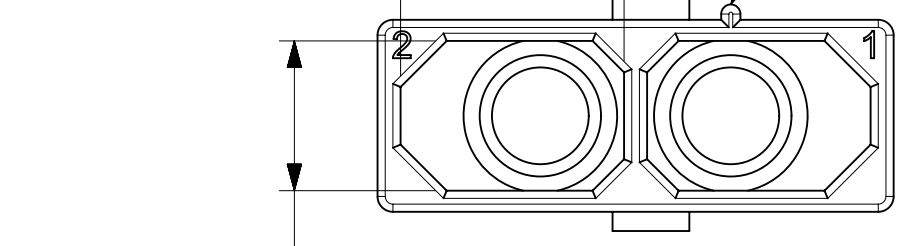


PLUG HOUSING

QUALITY SYMBOLS		THIS DRAWING CONTAINS INFORMATION THAT IS PROPRIETARY TO MOLEX ELECTRONIC TECHNOLOGIES, LLC AND SHOULD NOT BE USED WITHOUT WRITTEN PERMISSION											
▽ = 0	ADD PK SPEC	GENERAL TOLERANCES (UNLESS SPECIFIED)				DIMENSION UNITS		SCALE					
▽ = 0	EC NO: 108502	MM		INCH		INCH/MM		4:1					
▽ = 0	DRWN: BAPPELDORN	4 PLACES ±		±		DRWN BY		DATE		.093/(2.36) HOUSING G.W. PLUG AND RECEPTACLE 2 CIRCUIT			
▽ = 0	2016/09/20	3 PLACES ±		± 0.01		AELHAG		2007/09/24					
▽ = 0	CHKD: MKIPPER	2 PLACES ±		± 0.25 ± 0.014		CHK'D BY		DATE		PRODUCT CUSTOMER DRAWING			
▽ = 0	2016/09/23	1 PLACES ±		± 0.36 ±		LSCHMIDT		2007/09/24					
▽ = 0	REV APPR: FSMITH	0 PLACES ±		±		APPR BY		DATE		SERIES MATERIAL NUMBER CUSTOMER 42191 SEE CHART GENERAL MARKET			
▽ = 0		ANGULAR TOL = 1.0				FSMITH		2014/12/18					
▽ = 0		DRAFT WHERE APPLICABLE MUST REMAIN WITHIN DIMENSIONS				DRAWING SIZE		THIRD ANGLE PROJECTION		DOCUMENT NUMBER DOC TYPE DOC PART SHEET NUMBER 421910200-SD PSD 000 1 OF 3			
▽ = 0		C		C									

.291 (2 PL.)
[7.39]

RIB FOR CIRCUIT
NO. IDENTIFICATION



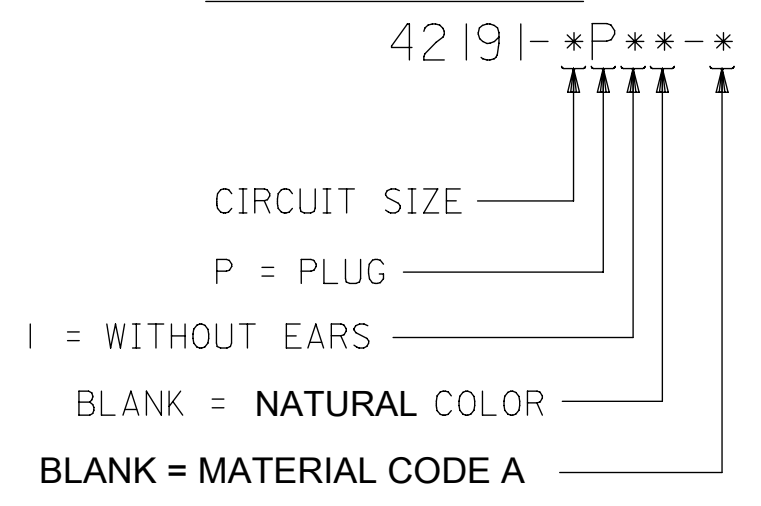
RECEPTACLE HOUSING

QUALITY SYMBOLS		THIS DRAWING CONTAINS INFORMATION THAT IS PROPRIETARY TO MOLEX ELECTRONIC TECHNOLOGIES, LLC AND SHOULD NOT BE USED WITHOUT WRITTEN PERMISSION				DIMENSION UNITS		SCALE						
▽ = 0 ▽ = 0 ▽ = 0 ▼ = 0 ▽ = 0 ⊠ = 0 ■ = 0 ▽ = 0		GENERAL TOLERANCES (UNLESS SPECIFIED)		INCH/MM		4:1		DRWN BY: AELHAG DATE: 2007/09/24 CHK'D BY: LSCHMIDT DATE: 2007/09/24 APPR BY: FSMITH DATE: 2014/12/18						
ADD PK SPEC		EC NO: 108502 DRWN: BAPPELDORN CHKD: MKIPPER REV APPR: FSMITH		4 PLACES ± ± 3 PLACES ± ± 0.01 2 PLACES ± 0.25 ± 0.014 1 PLACES ± 0.36 ± 0 PLACES ± ±		ANGULAR TOL = 1.0		DRAWING SIZE: C		THIRD ANGLE PROJECTION		PRODUCT CUSTOMER DRAWING		
RELEASE STATUS: P1 RELEASE DATE: 23.09.2016 15:44:37		DRAFT WHERE APPLICABLE MUST REMAIN WITHIN DIMENSIONS		DRAFT WHERE APPLICABLE MUST REMAIN WITHIN DIMENSIONS		DRAFT WHERE APPLICABLE MUST REMAIN WITHIN DIMENSIONS		DRAFT WHERE APPLICABLE MUST REMAIN WITHIN DIMENSIONS		DRAFT WHERE APPLICABLE MUST REMAIN WITHIN DIMENSIONS		SERIES: 42191 MATERIAL NUMBER: SEE CHART CUSTOMER: GENERAL MARKET		
										DOCUMENT NUMBER: 421910200-SD		DOC TYPE: PSD DOC PART: 000 SHEET NUMBER: 2 OF 3		

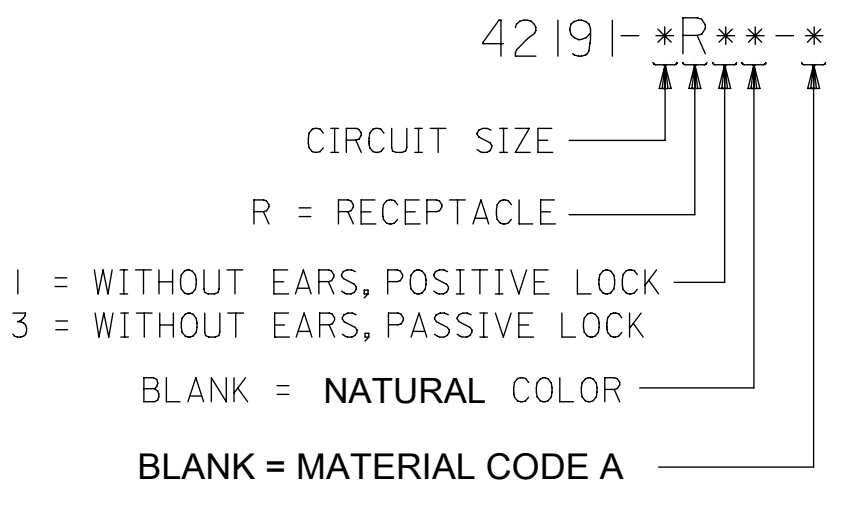
PLUG	
PART NO.	ENG. NO.
03-09-2161	42191-2P1

RECEPTACLE	
PART NO.	ENG. NO.
03-09-1161	42191-2R1
03-09-1163	42191-2R3

LEGEND: PLUG



LEGEND: RECEPTACLE



- NOTES:
- MATERIAL CODES:
A = NYLON TYPE 6/6, 94V-2
 - FINISH: NONE.
 - PRODUCT SPECIFICATION: NONE.
 - PACKAGING INFORMATION: 421910000-PK.
 - PART ACCEPTS DOUBLE WIRE CRIMPS OF 18 AWG MAXIMUM. EACH CIRCUIT WILL ALLOW ONE OF THE WIRES TO HAVE AN INSULATION THICKNESS OF .062/(1.57), THE OTHER HAVING AN INSULATION THICKNESS OF .031/(0.79).
 - LOCK RAMP STYLE IS OPTIONAL ON THIS SIDE OF PART. CHOICE OF EITHER A POSITIVE LOCK RAMP OR A PASSIVE LOCK RAMP IS AVAILABLE.
 - PARTS CONFORM TO CLASS 'B' REQUIREMENTS OF COSMETIC SPECIFICATION PS-45499-002.

QUALITY SYMBOLS 	THIS DRAWING CONTAINS INFORMATION THAT IS PROPRIETARY TO MOLEX ELECTRONIC TECHNOLOGIES, LLC AND SHOULD NOT BE USED WITHOUT WRITTEN PERMISSION										
	ADD PK SPEC EC NO: 108502 DRWN: BAPPELDORN CHKD: MKIPPER REV APPR: FSMITH	GENERAL TOLERANCES (UNLESS SPECIFIED)		DIMENSION UNITS		SCALE					
			MM	INCH	INCH/MM	1:1					
		4 PLACES ±	±		DRWN BY	DATE	.093/(2.36) HOUSING G.W. PLUG AND RECEPTACLE 2 CIRCUIT				
3 PLACES ±	± 0.01		AELHAG	2007/09/24							
2 PLACES ±	± 0.25 ± 0.014		CHK'D BY	DATE							
1 PLACES ±	± 0.36 ±		LSCHMIDT	2007/09/24							
0 PLACES ±	±		APPR BY	DATE	PRODUCT CUSTOMER DRAWING						
			FSMITH	2014/12/18							
	ANGULAR TOL = 1.0		DRAWING SIZE	THIRD ANGLE PROJECTION		SERIES	MATERIAL NUMBER	CUSTOMER			
	DRAFT WHERE APPLICABLE MUST REMAIN WITHIN DIMENSIONS		C			42191	SEE CHART	GENERAL MARKET			
	A	REV			DOCUMENT NUMBER		DOC TYPE	DOC PART	SHEET NUMBER		
					421910200-SD		PSD	000	3 OF 3		