



Chipsmall Limited consists of a professional team with an average of over 10 year of expertise in the distribution of electronic components. Based in Hongkong, we have already established firm and mutual-benefit business relationships with customers from,Europe,America and south Asia,supplying obsolete and hard-to-find components to meet their specific needs.

With the principle of “Quality Parts,Customers Priority,Honest Operation,and Considerate Service”,our business mainly focus on the distribution of electronic components. Line cards we deal with include Microchip,ALPS,ROHM,Xilinx,Pulse,ON,Everlight and Freescale. Main products comprise IC,Modules,Potentiometer,IC Socket,Relay,Connector.Our parts cover such applications as commercial,industrial, and automotives areas.

We are looking forward to setting up business relationship with you and hope to provide you with the best service and solution. Let us make a better world for our industry!



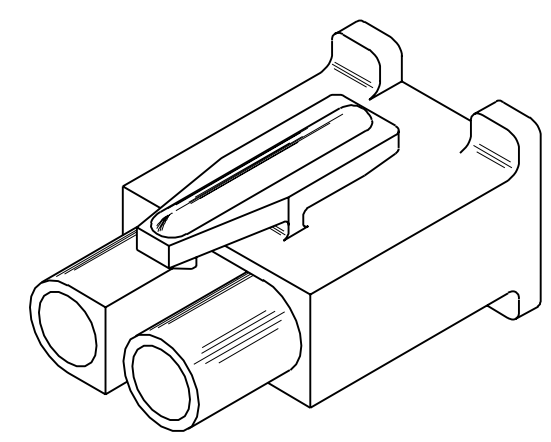
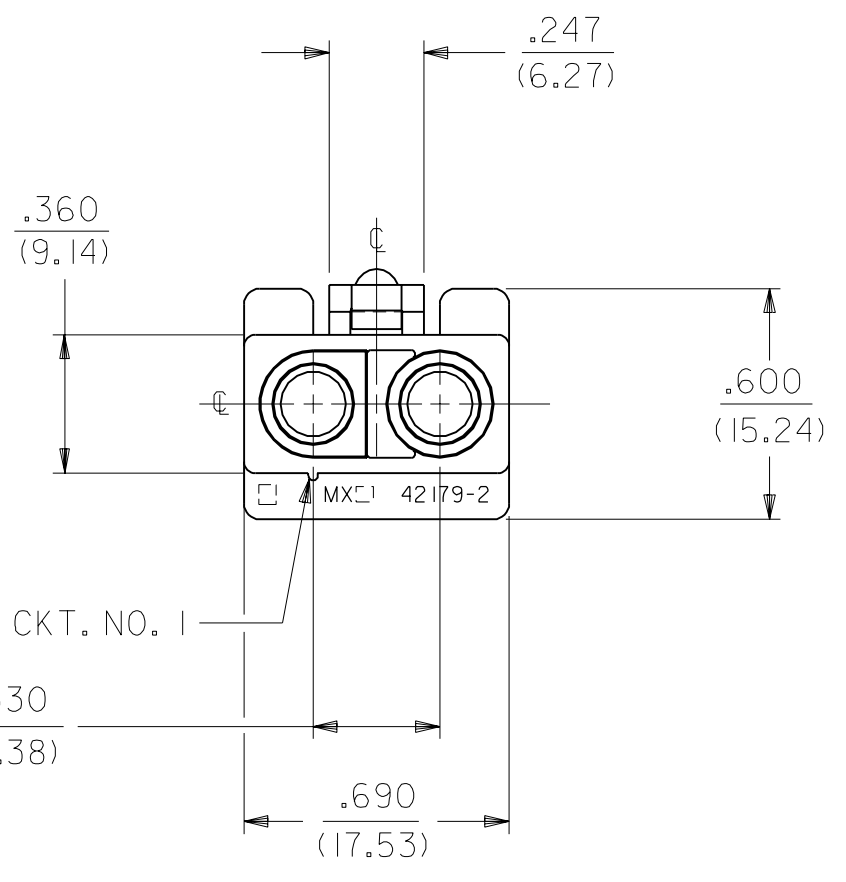
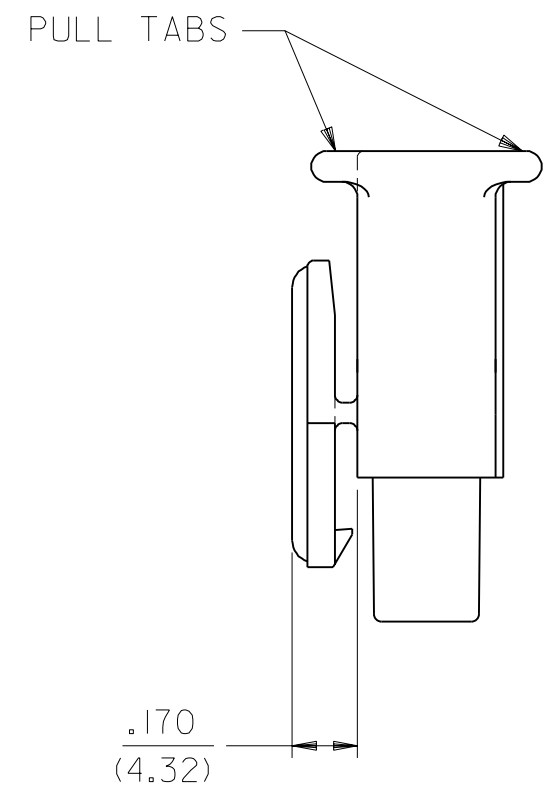
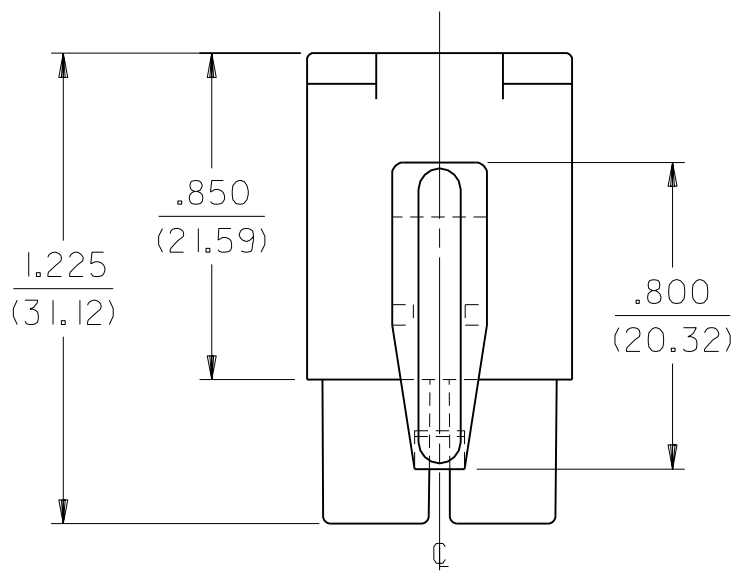
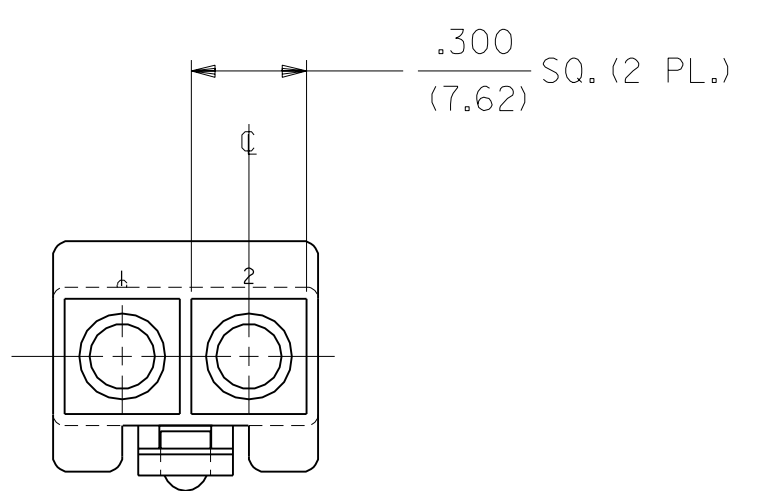
Contact us

Tel: +86-755-8981 8866 Fax: +86-755-8427 6832

Email & Skype: info@chipsmall.com Web: www.chipsmall.com

Address: A1208, Overseas Decoration Building, #122 Zhenhua RD., Futian, Shenzhen, China





RECEPTACLE

H	OBSOLETE P/N's UCR2002-0270 COMERC1 01/9/18
G1	REVISED UCR 1998-0128 WANG 98-04-09
G	REL. -2P IRD, -2R IRD ECN #U4 0209 RW 2-14-94
F2	ADD -2P IRD, -2R IRD ECN #U4 0109 RW 1-25-94
F1	REL. -2R IBK, -2PB ECN #U3 0685 RW 4-6-93
F	DEL 94V-0 MAT'L ECR U2-1699 AFG 92-11-20 RW
E	REVISE PER ECR U2 0211 CVC 2/10/92 RW
D	REVISED PER ECR #U00189 7-5-90 TRM
C	REVISED LATCH ECR # U90011 KBW 03-31-89 RW
B	REV. PICTORIALY ECR U8 2272 GEP 12-15-88 RW
A	REV. & FINAL REL. ERO 27381 GEP 10-18-88 RW

3	H	
2	G1	
1	H	
MFG.	SH.	REV.
LTR.	REVISIONS	

DIMENSIONS SHOWN (METRIC) INCH
UNLESS OTHERWISE SPECIFIED
TOLERANCES: ANGULAR ± 10°

	INCH	METRIC
3 PLACE	± .007	---
2 PLACE	± .010	± 0.18
1 PLACE	---	± 0.25

DRAFT WHERE APPLICABLE MUST
REMAIN WITHIN DIMENSIONS

DRWG. BY: GEP CHK'D. BY: RW
APP'D. BY: RAS SCALE: 2 : 1

▽ = 0 ▽ = 0

REVISIONS ONLY ON CAD SYSTEM

TITLE: .125/(3.17) HOUSING,
PLUG & RECEPTACLE,
2 CKT., .330/(8.38) CTR.

MOLEX INCORPORATED
LITLLE, ILL. 60532 U.S.A.

SHEET NO. 1 OF 3 DATE 7/26/88

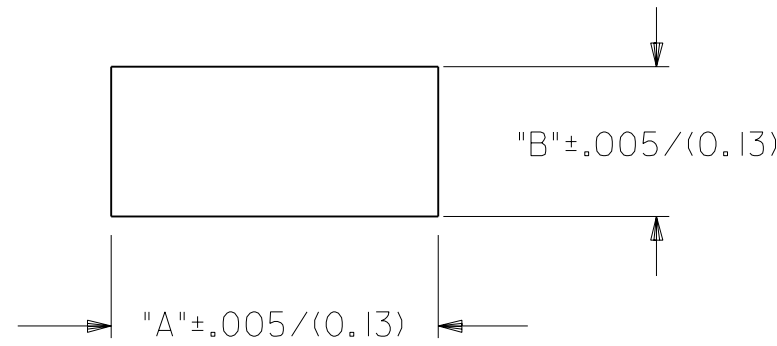
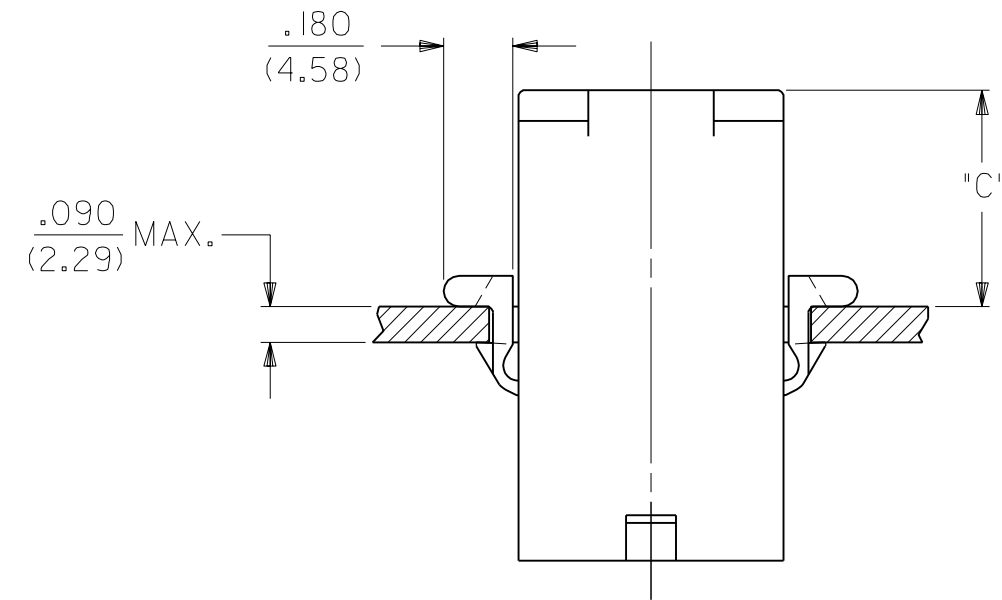
PART NO. SEE CHART DRWG. NO. SD-42179-2*

FILE NAME: S421792X1 DGN DIV. CP SIZE C

THIS DRAWING CONTAINS INFORMATION THAT IS PROPRIETARY TO MOLEX INC. AND SHOULD NOT BE USED WITHOUT WRITTEN PERMISSION.

PLUG		
PART NO.	ENG. NO.	
03-12-2026	42179-2P1	
03-12-2025	42179-2P	
03-12-7021	42179-2PBK	OBSOLETE
03-12-7022	42179-2PIRD	OBSOLETE

RECEPTACLE		
PART NO.	ENG. NO.	
03-12-1026	42179-2R1	
03-12-6021	42179-2R1BK	OBSOLETE
03-12-6022	42179-2R1RD	OBSOLETE



RECOMMENDED HOLE CUTOUT

HOUSING	DIM. "A"	DIM. "B"	DIM. "C"
PLUG	.851/(21.62)	.440/(11.18)	.57/(14.5)

NOTES:

- PART ACCEPTS A MAXIMUM .250/(6.35) INSULATION DIA.
- FOR USE WITH MOLEX .125/(3.17) DIAMETER SERIES TERMINALS EXCEPT THE 1219/1220 SERIES.
- THIS PART IS THE SAME AS 42348-2 EXCEPT FOR POLARIZATION OF FIRST CIRCUIT.

LEGEND:

42179-2****-*

CIRCUIT SIZE: _____
HOUSING TYPE: _____
P = PLUG
R = RECEPTACLE
MOUNTING EAR OPTION: _____
BLANK = WITH PREBENT EARS, PLUG ONLY
I = WITHOUT EARS

COLOR: _____
BLANK = 94V-2: TRANSLUCENT NATURAL COLOR
AM=AMBER BK=BLACK BU=BLUE
BN=BROWN GY=GRAY GN=GREEN
OR=ORANGE RD=RED YW=YELLOW

MATERIAL: _____
BLANK = NYLON 6/6, U.L. 94V-2

		F2	SEE SHEET I	DIMENSIONS SHOWN (METRIC) INCH		▽ = 0	▼ = 0	REVISE ONLY ON CAD SYSTEM
		F1	SEE SHEET I	UNLESS OTHERWISE SPECIFIED TOLERANCES: ANGULAR ± 0.1°		TITLE		
		F	SEE SHEET I	INCH METRIC		.125/(3.17) HOUSING, PLUG AND RECEPTACLE, 2 CKT., .330/(8.38) CTR.		
		D	SEE SHEET I	3 PLACE ± .007 ---		MOLEX INCORPORATED		
		H	SEE SHEET I	2 PLACE ± .010 ± 0.18		LITSLIE, ILL. 60532 U.S.A.		
		G1	SEE SHEET I	1 PLACE --- ± 0.25		SHEET NO. 3 DATE 7/26/88		
		G	SEE SHEET I	DRAFT WHERE APPLICABLE MUST REMAIN WITHIN DIMENSIONS		PART NO. SD-42179-2*		
		LTR.	REVISIONS	DRWG. BY: GEP CHK'D. BY: RW		SEE CHART		
		LTR.	REVISIONS	APP'D. BY: RAS SCALE: 2 : 1		THIS DRAWING CONTAINS INFORMATION THAT IS PROPRIETARY TO MOLEX INC. AND SHOULD NOT BE USED WITHOUT WRITTEN PERMISSION.		

42179