



Chipsmall Limited consists of a professional team with an average of over 10 year of expertise in the distribution of electronic components. Based in Hongkong, we have already established firm and mutual-benefit business relationships with customers from,Europe,America and south Asia,supplying obsolete and hard-to-find components to meet their specific needs.

With the principle of “Quality Parts,Customers Priority,Honest Operation,and Considerate Service”,our business mainly focus on the distribution of electronic components. Line cards we deal with include Microchip,ALPS,ROHM,Xilinx,Pulse,ON,Everlight and Freescale. Main products comprise IC,Modules,Potentiometer,IC Socket,Relay,Connector.Our parts cover such applications as commercial,industrial, and automotives areas.

We are looking forward to setting up business relationship with you and hope to provide you with the best service and solution. Let us make a better world for our industry!



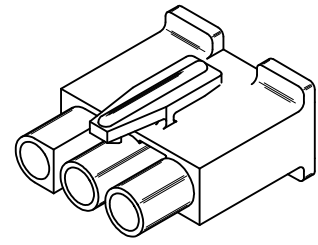
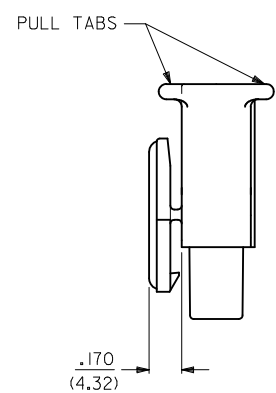
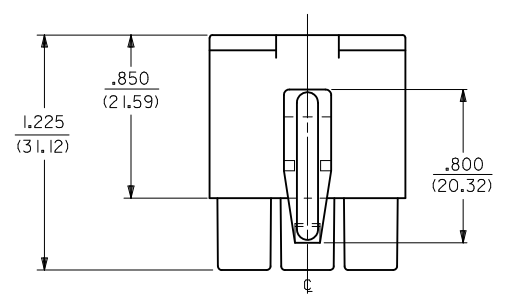
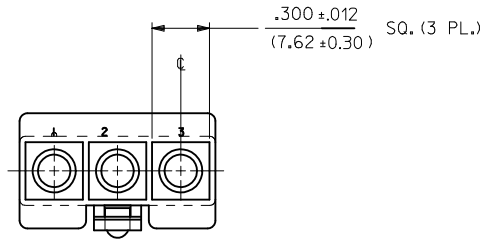
## Contact us

Tel: +86-755-8981 8866 Fax: +86-755-8427 6832

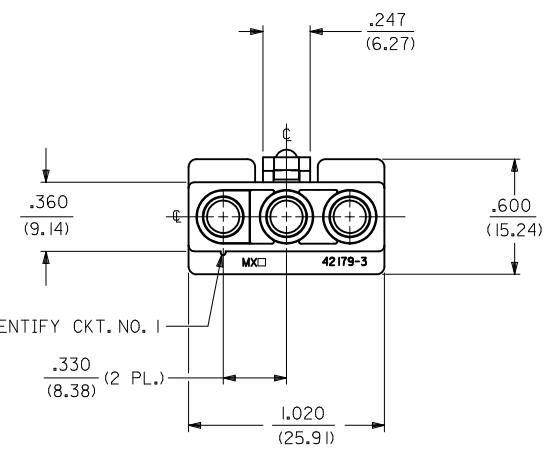
Email & Skype: info@chipsmall.com Web: www.chipsmall.com

Address: A1208, Overseas Decoration Building, #122 Zhenhua RD., Futian, Shenzhen, China





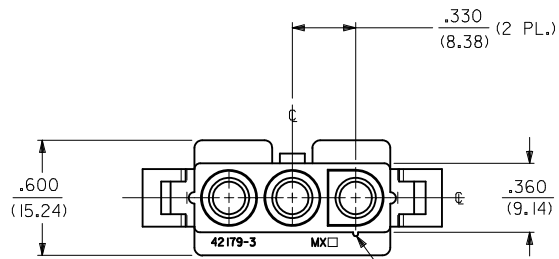
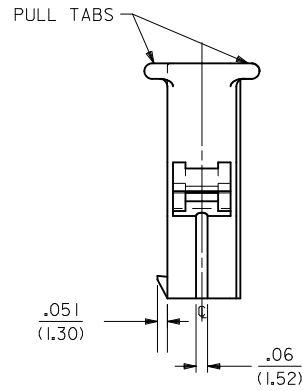
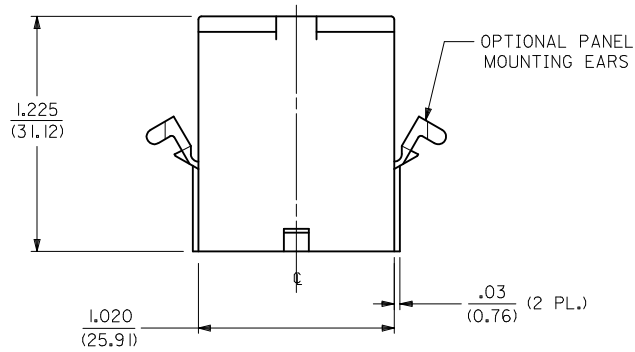
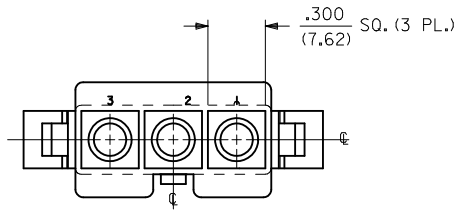
RECEPTACLE



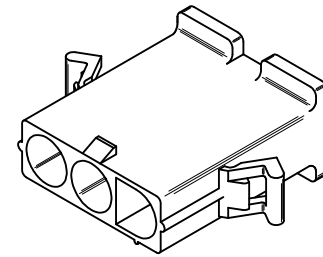
RIB TO IDENTIFY CKT. NO. 1

F	3	H
E	2	H
F	1	H

<b>REVISE DIMENSION</b> EC NO: UCP2011-3247 DRW: AELHAG 2011/04/20 CHKD: JBELL 2011/04/20 APPR: FSMITH 2011/05/02	<b>QUALITY SYMBOLS</b>   	<b>GENERAL TOLERANCES (UNLESS SPECIFIED)</b>		<b>DIMENSION STYLE</b> IN/MM	<b>SCALE</b> 2:1	<b>DESIGN UNITS</b> INCH	<b>THIRD ANGLE PROJECTION</b>		
		4 PLACES ± --- ± ---	mm INCH	DRAWN BY AELHAG	DATE 2011/04/20	<b>TITLE</b> .125/(3.17) HOUSING, PLUG AND RECEPTACLE, 3 CKT .330/(8.38) CTR			
		3 PLACES ± --- ± .007	± .18 ± .010	CHECKED BY JBELL	DATE 2011/04/20	<b>MOLEX INCORPORATED</b>			
		2 PLACES ± 0.18 ± .010	1 PLACE ± 0.25 ± ---	APPROVED BY DATE		MATERIAL NO. <b>SEE CHART</b>	DOCUMENT NO. <b>SD-42179-3*</b>	SHEET NO. 1 OF 3	
<b>ANGULAR ±1/2°</b>		<b>DRAFT WHERE APPLICABLE MUST REMAIN WITHIN DIMENSIONS</b>		THIS DRAWING CONTAINS INFORMATION THAT IS PROPRIETARY TO MOLEX INCORPORATED AND SHOULD NOT BE USED WITHOUT WRITTEN PERMISSION					



RIB TO IDENTIFY CKT. NO. 1



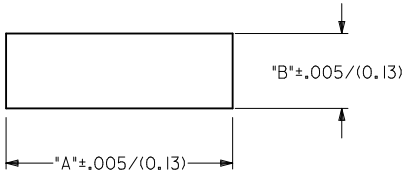
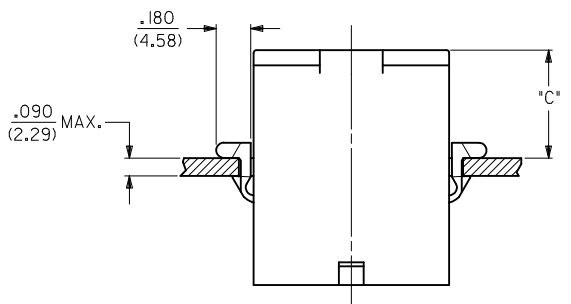
PLUG

<b>UPDATE TITLE BLOCK</b> EC NO: UCP2011-3247 DRWN: AELHAG 2011/04/20 CHKD: JBELL 2011/04/20 APPR: FSMITH 2011/05/02	QUALITY SYMBOLS ▽=0 ▽=0 ▽=0	GENERAL TOLERANCES (UNLESS SPECIFIED)		DIMENSION STYLE <b>IN/MM</b>	SCALE <b>2:1</b>	DESIGN UNITS <b>INCH</b>	THIRD ANGLE PROJECTION		
		4 PLACES ± --- ± --- 3 PLACES ± --- ± .007 2 PLACES ± 0.18 ± .010 1 PLACE ± 0.25 ± ---	mm INCH	DRAWN BY AELHAG	DATE 2011/04/20	TITLE <b>.125 HOUSING, PLUG AND RECEPTACLE, 3 CIRCUIT, .330 CENTERS</b>	<b>MOLEX INCORPORATED</b>		
		ANGULAR ±1/2°		CHECKED BY JBELL	DATE 2011/04/20	MATERIAL NO. <b>SEE CHART</b>	DOCUMENT NO. <b>SD-42179-3*</b>	SHEET NO. <b>2 OF 3</b>	
		DRAFT WHERE APPLICABLE MUST REMAIN WITHIN DIMENSIONS		THIS DRAWING CONTAINS INFORMATION THAT IS PROPRIETARY TO MOLEX INCORPORATED AND SHOULD NOT BE USED WITHOUT WRITTEN PERMISSION					

PLUG		RECEPTACLE	
PART NO.	ENG. NO.	PART NO.	ENG. NO.
03-12-2036	42179-3PI	03-12-1036	42179-3RI
03-12-2035	42179-3P	50-29-1608	42179-3RI-B

**LEGEND:**  
42179-3\*\*\*-\*

CIRCUIT SIZE: \_\_\_\_\_  
HOUSING TYPE: \_\_\_\_\_  
P = PLUG  
R = RECEPTACLE  
MOUNTING EAR OPTION: \_\_\_\_\_  
BLANK = WITH PREBENT EARS AND RIBS, PLUG ONLY  
I = WITHOUT EARS  
COLOR: \_\_\_\_\_  
BLANK = TRANSLUCENT NATURAL COLOR  
AM=AMBER BK=BLACK BU=BLUE  
BN=BROWN GY=GRAY GN=GREEN  
OR=ORANGE RD=RED YW=YELLOW  
MATERIAL: \_\_\_\_\_  
BLANK = MATERIAL CODE A.  
B = MATERIAL CODE B.



RECOMMENDED HOLE CUTOUT

HOUSING	DIM. "A"	DIM. "B"	DIM. "C"
PLUG	1.181/(30.00)	.440/(11.18)	.57/(14.5)

- NOTES:**
- PART ACCEPTS A MAXIMUM .250/(6.35) INSULATION DIA.
  - FOR USE WITH ALL MOLEX .125/(3.17) DIAMETER SERIES TERMINAL EXCEPT THE I219/I220 SERIES.
  - MATERIAL CODES:-  
A- NYLON 6/6, U.L. 94V-2.  
B- NYLON 6/6, U.L. 94V-0.

<b>UPDATE TITLE BLOCK</b> EC NO: UCP2011-3247 DRWN: AELHAG 2011/04/20 CHKD: JBELL 2011/04/20 APPR: FSMITH 2011/05/02 REV:	QUALITY SYMBOLS ▽=0 ▽=0 ▽=0	GENERAL TOLERANCES (UNLESS SPECIFIED) mm INCH 4 PLACES ± --- ± --- 3 PLACES ± --- ± .007 2 PLACES ± 0.18 ± .010 1 PLACE ± 0.25 ± --- ANGULAR ± 1/2°	DIMENSION STYLE IN/MM DRAWN BY DATE AELHAG 2011/04/20 CHECKED BY DATE JBELL 2011/04/20 APPROVED BY DATE	SCALE 2:1 DESIGN UNITS INCH THIRD ANGLE PROJECTION	TITLE .125/(3.17) HOUSING, PLUG AND RECEPTACLE, 3 CKT .330/(8.38) CTR MOLEX INCORPORATED DOCUMENT NO. SD-42179-3* SHEET NO. 3 OF 3	
	DRAFT WHERE APPLICABLE MUST REMAIN WITHIN DIMENSIONS		MATERIAL NO. <b>SEE CHART</b>	SIZE THIS DRAWING CONTAINS INFORMATION THAT IS PROPRIETARY TO MOLEX INCORPORATED AND SHOULD NOT BE USED WITHOUT WRITTEN PERMISSION		