



Chipsmall Limited consists of a professional team with an average of over 10 year of expertise in the distribution of electronic components. Based in Hongkong, we have already established firm and mutual-benefit business relationships with customers from,Europe,America and south Asia,supplying obsolete and hard-to-find components to meet their specific needs.

With the principle of "Quality Parts,Customers Priority,Honest Operation,and Considerate Service",our business mainly focus on the distribution of electronic components. Line cards we deal with include Microchip,ALPS,ROHM,Xilinx,Pulse,ON,Everlight and Freescale. Main products comprise IC,Modules,Potentiometer,IC Socket,Relay,Connector.Our parts cover such applications as commercial,industrial, and automotives areas.

We are looking forward to setting up business relationship with you and hope to provide you with the best service and solution. Let us make a better world for our industry!



## Contact us

Tel: +86-755-8981 8866 Fax: +86-755-8427 6832

Email & Skype: info@chipsmall.com Web: www.chipsmall.com

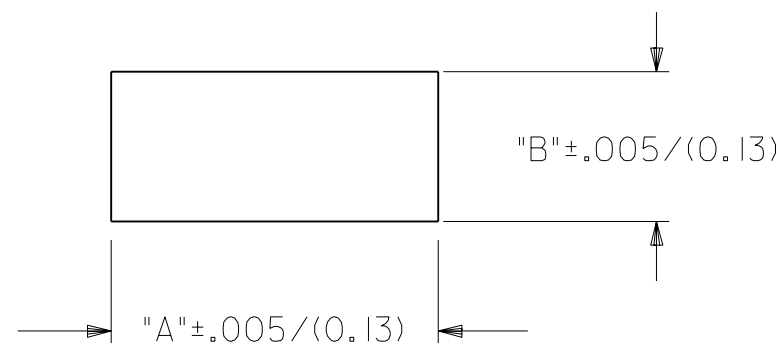
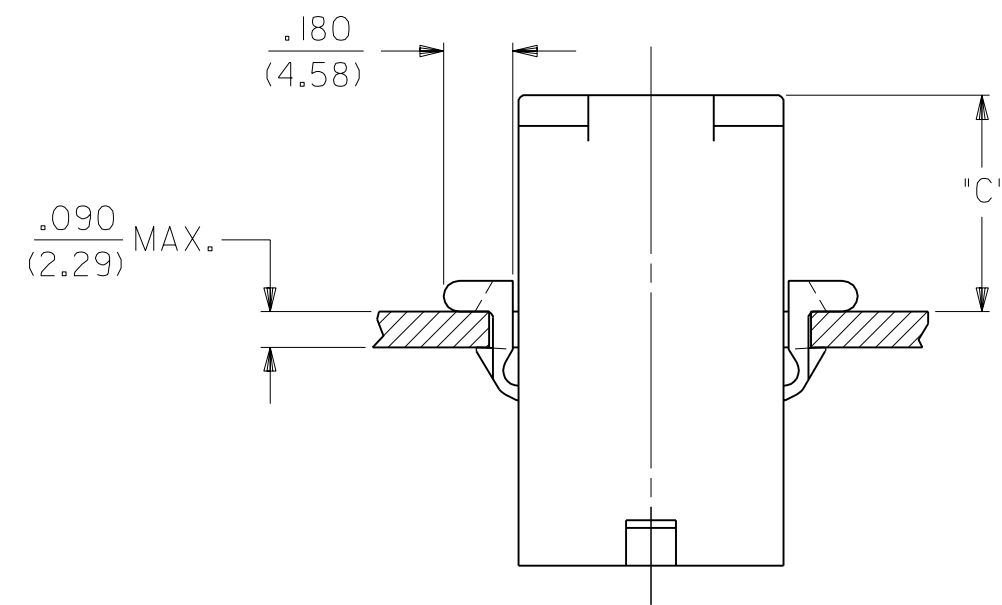
Address: A1208, Overseas Decoration Building, #122 Zhenhua RD., Futian, Shenzhen, China





PLUG		
PART NO.	ENG. NO.	
03-12-2026	42179-2P1	
03-12-2025	42179-2P	
03-12-7021	42179-2PBK	<b>OBSOLETE</b>
03-12-7022	42179-2PIRD	<b>OBSOLETE</b>

RECEPTACLE		
PART NO.	ENG. NO.	
03-12-1026	42179-2R1	
03-12-6021	42179-2R1BK	<b>OBSOLETE</b>
03-12-6022	42179-2R1RD	<b>OBSOLETE</b>



RECOMMENDED HOLE CUTOUT

HOUSING	DIM. "A"	DIM. "B"	DIM. "C"
PLUG	.851/(21.62)	.440/(11.18)	.57/(14.5)

**LEGEND:**

42179-2\*\*\*\*-\*

CIRCUIT SIZE: \_\_\_\_\_  
 HOUSING TYPE: \_\_\_\_\_  
 P = PLUG  
 R = RECEPTACLE  
 MOUNTING EAR OPTION: \_\_\_\_\_  
 BLANK = WITH PREBENT EARS, PLUG ONLY  
 I = WITHOUT EARS

COLOR: \_\_\_\_\_  
 BLANK = 94V-2: TRANSLUCENT NATURAL COLOR  
 AM=AMBER BK=BLACK BU=BLUE  
 BN=BROWN GY=GRAY GN=GREEN  
 OR=ORANGE RD=RED YW=YELLOW

MATERIAL: \_\_\_\_\_  
 BLANK = NYLON 6/6, U.L. 94V-2

**NOTES:**

- PART ACCEPTS A MAXIMUM .250/(6.35) INSULATION DIA.
- FOR USE WITH MOLEX .125/(3.17) DIAMETER SERIES TERMINALS EXCEPT THE 1219/1220 SERIES.
- THIS PART IS THE SAME AS 42348-2 EXCEPT FOR POLARIZATION OF FIRST CIRCUIT.

		F2	SEE SHEET I
		F1	SEE SHEET I
		F	SEE SHEET I
		D	SEE SHEET I
H	SEE SHEET I	B	SEE SHT. I
GI	SEE SHEET I	A	SEE SHT. I
G	SEE SHEET I	I	SEE SHT. I
LTR.	REVISIONS	LTR.	REVISIONS

DIMENSIONS SHOWN (METRIC) INCH	
UNLESS OTHERWISE SPECIFIED TOLERANCES: ANGULAR ± 0.1°	
INCH	METRIC
3 PLACE ± .007	---
2 PLACE ± .010	± 0.18
1 PLACE ---	± 0.25

DRAFT WHERE APPLICABLE MUST REMAIN WITHIN DIMENSIONS

▽ = 0 ▼ = 0 REVISE ONLY ON CAD SYSTEM

TITLE  
 .125/(3.17) HOUSING,  
 PLUG AND RECEPTACLE,  
 2 CKT., .330/(8.38) CTR.

MOLEX INCORPORATED  
 LISLE, ILL. 60532 U.S.A.

SHEET NO. 3 DATE 7/26/88

PART NO. SD-42179-2\* DRWG. NO.

SEE CHART

FILE NAME S421792X3 DGN THIS DRAWING CONTAINS INFORMATION THAT IS PROPRIETARY TO MOLEX INC. AND SHOULD NOT BE USED WITHOUT WRITTEN PERMISSION. DIV. CP SIZE C

42179