



Chipsmall Limited consists of a professional team with an average of over 10 year of expertise in the distribution of electronic components. Based in Hongkong, we have already established firm and mutual-benefit business relationships with customers from,Europe,America and south Asia,supplying obsolete and hard-to-find components to meet their specific needs.

With the principle of "Quality Parts,Customers Priority,Honest Operation,and Considerate Service",our business mainly focus on the distribution of electronic components. Line cards we deal with include Microchip,ALPS,ROHM,Xilinx,Pulse,ON,Everlight and Freescale. Main products comprise IC,Modules,Potentiometer,IC Socket,Relay,Connector.Our parts cover such applications as commercial,industrial, and automotives areas.

We are looking forward to setting up business relationship with you and hope to provide you with the best service and solution. Let us make a better world for our industry!



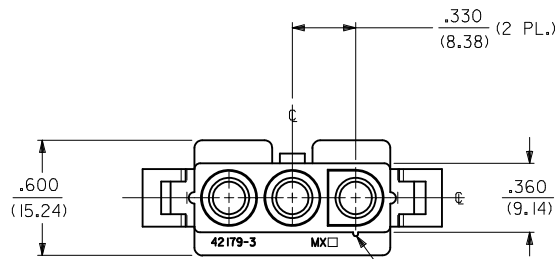
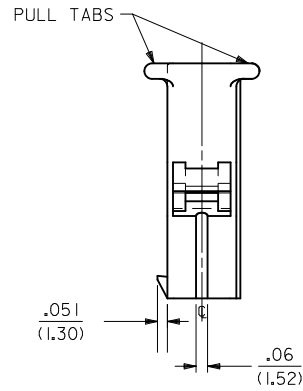
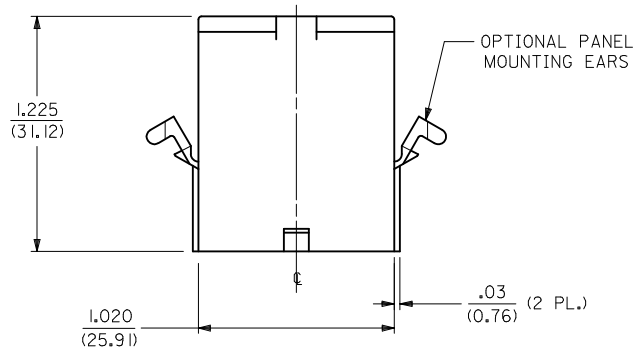
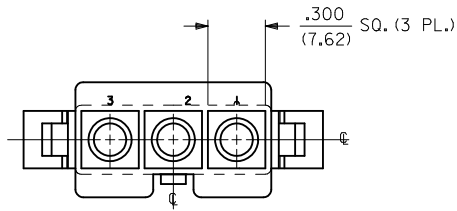
Contact us

Tel: +86-755-8981 8866 Fax: +86-755-8427 6832

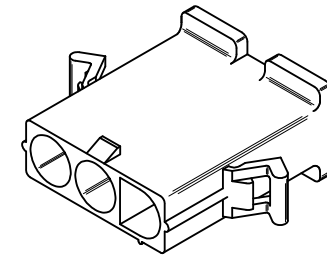
Email & Skype: info@chipsmall.com Web: www.chipsmall.com

Address: A1208, Overseas Decoration Building, #122 Zhenhua RD., Futian, Shenzhen, China





RIB TO IDENTIFY CKT. NO. 1



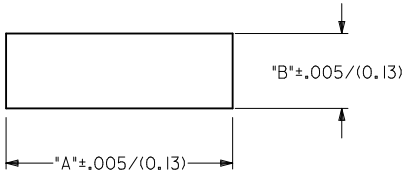
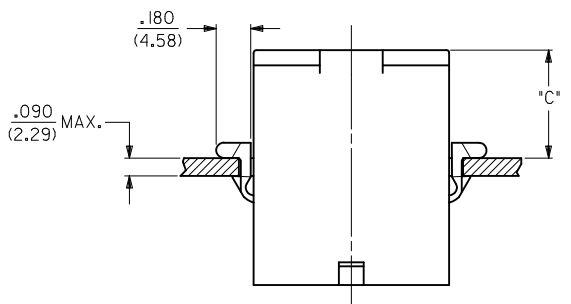
PLUG

UPDATE TITLE BLOCK EC NO: UCP2011-3247 DRWN: AELHAG 2011/04/20 CHKD: JBELL 2011/04/20 APPR: FSMITH 2011/05/02	QUALITY SYMBOLS 	GENERAL TOLERANCES (UNLESS SPECIFIED)		DIMENSION STYLE IN/MM	SCALE 2:1	DESIGN UNITS INCH	THIRD ANGLE PROJECTION
		4 PLACES ± --- ± ---	DRAWN BY AELHAG	DATE 2011/04/20	TITLE .125 HOUSING, PLUG AND RECEPTACLE, 3 CIRCUIT, .330 CENTERS		
		3 PLACES ± --- ± .007	CHECKED BY JBELL	DATE 2011/04/20	MOLEX INCORPORATED		
		2 PLACES ± 0.18 ± .010	APPROVED BY (Signature)	DATE (Date)	MATERIAL NO. SEE CHART	DOCUMENT NO. SD-42179-3*	SHEET NO. 2 OF 3
1 PLACE ± 0.25 ± ---	ANGULAR ± 1/2°	DRAFT WHERE APPLICABLE MUST REMAIN WITHIN DIMENSIONS		THIS DRAWING CONTAINS INFORMATION THAT IS PROPRIETARY TO MOLEX INCORPORATED AND SHOULD NOT BE USED WITHOUT WRITTEN PERMISSION			

PLUG		RECEPTACLE	
PART NO.	ENG. NO.	PART NO.	ENG. NO.
03-12-2036	42179-3PI	03-12-1036	42179-3RI
03-12-2035	42179-3P	50-29-1608	42179-3RI-B

LEGEND:
42179-3***-*

CIRCUIT SIZE: _____
HOUSING TYPE: _____
P = PLUG
R = RECEPTACLE
MOUNTING EAR OPTION: _____
BLANK = WITH PREBENT EARS AND RIBS, PLUG ONLY
I = WITHOUT EARS
COLOR: _____
BLANK = TRANSLUCENT NATURAL COLOR
AM=AMBER BK=BLACK BU=BLUE
BN=BROWN GY=GRAY GN=GREEN
OR=ORANGE RD=RED YW=YELLOW
MATERIAL: _____
BLANK = MATERIAL CODE A.
B = MATERIAL CODE B.



RECOMMENDED HOLE CUTOUT

HOUSING	DIM. "A"	DIM. "B"	DIM. "C"
PLUG	1.181/(30.00)	.440/(11.18)	.57/(14.5)

- NOTES:**
- PART ACCEPTS A MAXIMUM .250/(6.35) INSULATION DIA.
 - FOR USE WITH ALL MOLEX .125/(3.17) DIAMETER SERIES TERMINAL EXCEPT THE I219/I220 SERIES.
 - MATERIAL CODES:-
A- NYLON 6/6, U.L. 94V-2.
B- NYLON 6/6, U.L. 94V-0.

UPDATE TITLE BLOCK EC NO: UCP2011-3247 DRWN: AELHAG 2011/04/20 CHKD: JBELL 2011/04/20 APPR: FSMITH 2011/05/02 REV:	QUALITY SYMBOLS	GENERAL TOLERANCES (UNLESS SPECIFIED)	DIMENSION STYLE	SCALE	DESIGN UNITS	THIRD ANGLE PROJECTION
	▽=0	mm INCH	IN/MM	2:1	INCH	
	▽=0	4 PLACES ± --- ± ---	DRAWN BY DATE	TITLE		
	▽=0	3 PLACES ± --- ± .007	AELHAG 2011/04/20	.125/(3.17) HOUSING, PLUG AND RECEPTACLE, 3 CKT .330/(8.38) CTR		
		2 PLACES ± 0.18 ± .010	CHECKED BY DATE	MOLEX INCORPORATED		
		1 PLACE ± 0.25 ± ---	JBELL 2011/04/20	MATERIAL NO. SEE CHART DOCUMENT NO. SD-42179-3* SHEET NO. 3 OF 3		
		ANGULAR ±1/2°	APPROVED BY DATE	THIS DRAWING CONTAINS INFORMATION THAT IS PROPRIETARY TO MOLEX INCORPORATED AND SHOULD NOT BE USED WITHOUT WRITTEN PERMISSION		
		DRAFT WHERE APPLICABLE MUST REMAIN WITHIN DIMENSIONS				