



Chipsmall Limited consists of a professional team with an average of over 10 year of expertise in the distribution of electronic components. Based in Hongkong, we have already established firm and mutual-benefit business relationships with customers from,Europe,America and south Asia,supplying obsolete and hard-to-find components to meet their specific needs.

With the principle of “Quality Parts,Customers Priority,Honest Operation,and Considerate Service”,our business mainly focus on the distribution of electronic components. Line cards we deal with include Microchip,ALPS,ROHM,Xilinx,Pulse,ON,Everlight and Freescale. Main products comprise IC,Modules,Potentiometer,IC Socket,Relay,Connector.Our parts cover such applications as commercial,industrial, and automotives areas.

We are looking forward to setting up business relationship with you and hope to provide you with the best service and solution. Let us make a better world for our industry!



Contact us

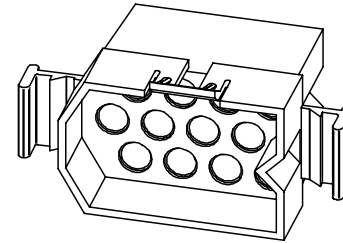
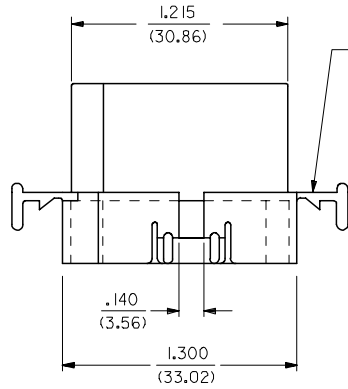
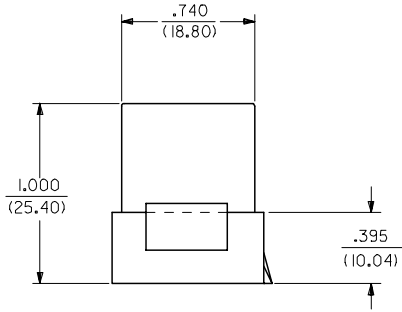
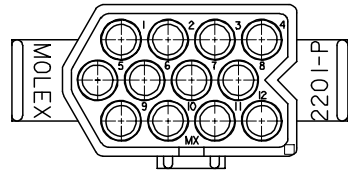
Tel: +86-755-8981 8866 Fax: +86-755-8427 6832

Email & Skype: info@chipsmall.com Web: www.chipsmall.com

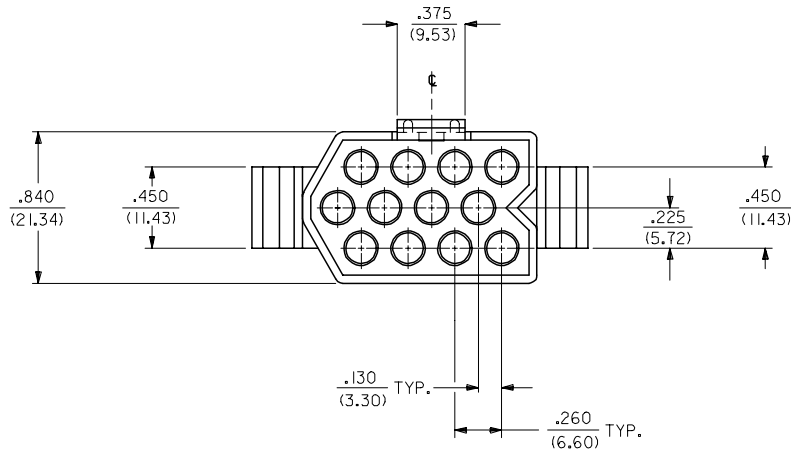
Address: A1208, Overseas Decoration Building, #122 Zhenhua RD., Futian, Shenzhen, China



13 12 11 10 9 8 7 6 5 4 3 2 1



PLUG 2201-P



UPDATE TITLE BLOCK FC NO: UCP2007-0022 DRW:NAELHAG CHKD:LSHMDT APPR:FSM TH	2006/07/21 2006/07/21 2006/07/21	DESCRIPTION 12 CIRCUIT HOUSING PLUG & RECEPTACLE	QUALITY SYMBOLS ▽=0 ▽=0		GENERAL TOLERANCES (UNLESS SPECIFIED) mm INCH 4 PLACES ± .010 ± .004 3 PLACES ± .014 ± .005 2 PLACES ± .018 ± .007 1 PLACE ± .025 ± .010 ANGULAR ±1/2°		DIMENSION STYLE IN/MM DRAWN BY DATE GEP 7/23/87 CHECKED BY DATE RW 7/23/87 APPROVED BY DATE RAS 7/23/87		SCALE 1:1	DESIGN UNITS INCH	THIRD ANGLE PROJECTION
			MATERIAL NO. SEE CHART		DOCUMENT NO. SD-2201-*		SHEET NO. 1 OF 3				
			DRAFT WHERE APPLICABLE MUST REMAIN WITHIN DIMENSIONS		THIS DRAWING CONTAINS INFORMATION THAT IS PROPRIETARY TO MOLEX INCORPORATED AND SHOULD NOT BE USED WITHOUT WRITTEN PERMISSION		MOLEX INCORPORATED				

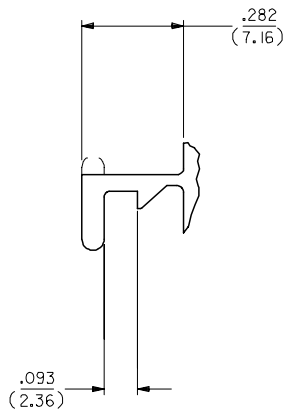
12 11 10 9 8 7 6 5 4 3 2 1

13 12 11 10 9 8 7 6 5 4 3 2 1

PLUG

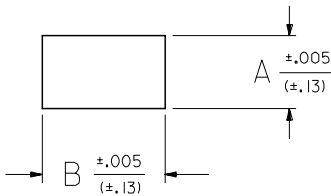
RECEPTACLE

PART NO.	ENG. NO.	DESCRIPTION	PART NO.	ENG. NO.	DESCRIPTION
03-12-2121	2201-P	PLUG WITH STANDARD EARS (DETAIL I)	03-12-1121	2201-R	RECEPTACLE WITH STANDARD EARS (DETAIL I)



DETAIL I
STANDARD MOUNTING EAR
SCALE 4:1

MOUNTING PANEL OPENING		
HOUSING	DIM. "A"	DIM. "B"
PLUG	.855/(21.72)	1.460/(37.08)
RECEPTACLE	.810/(20.57)	1.360/(34.54)



NOTES:

- 1) MATERIAL: NYLON TYPE 6/6, 94V-2, NATURAL.
- 2) FINISH: N/A
- 3) PRODUCT SPECS: NONE.
- 4) PACKAGING SPECS: BULK PACK PER PK-2201-001.
- 5) FOR USE WITH .125/(3.18) DIA. SERIES TERMINALS.
- 6) MAXIMUM PANEL THICKNESS .090/(2.29).

ADD NOTES 2, 3&4 EC NO: UCP2007-0022 DRAWN: AELHAG 2006/07/21 CHKD: LSCHMIDT 2006/07/21 APPR: FSM TH 2006/07/21	QUALITY SYMBOLS ▽=0 ▽=0	GENERAL TOLERANCES (UNLESS SPECIFIED)		DIMENSION STYLE IN/MM		SCALE 1:1	DESIGN UNITS INCH	THIRD ANGLE PROJECTION
		4 PLACES ± --- ± ---	DRAWN BY GEP	DATE 7/23/87	TITLE 12 CIRCUIT HOUSINGS, PLUG AND RECEPTACLE, .125 DIA.			
		3 PLACES ± --- ± .010	CHECKED BY RW	DATE 7/23/87	MOLEX INCORPORATED			
		2 PLACES ± 0.25 ± .014 1 PLACE ± 0.35 ± --- ANGULAR ±1/2°	APPROVED BY RAS	DATE 7/23/87	MATERIAL NO. SD-2201-*			
DRAFT WHERE APPLICABLE MUST REMAIN WITHIN DIMENSIONS		SEE CHART		DOCUMENT NO.		SHEET NO.		
		SIZE C		THIS DRAWING CONTAINS INFORMATION THAT IS PROPRIETARY TO MOLEX INCORPORATED AND SHOULD NOT BE USED WITHOUT WRITTEN PERMISSION				

12 11 10 9 8 7 6 5 4 3 2 1