



Chipsmall Limited consists of a professional team with an average of over 10 year of expertise in the distribution of electronic components. Based in Hongkong, we have already established firm and mutual-benefit business relationships with customers from,Europe,America and south Asia,supplying obsolete and hard-to-find components to meet their specific needs.

With the principle of "Quality Parts,Customers Priority,Honest Operation,and Considerate Service",our business mainly focus on the distribution of electronic components. Line cards we deal with include Microchip,ALPS,ROHM,Xilinx,Pulse,ON,Everlight and Freescale. Main products comprise IC,Modules,Potentiometer,IC Socket,Relay,Connector.Our parts cover such applications as commercial,industrial, and automotives areas.

We are looking forward to setting up business relationship with you and hope to provide you with the best service and solution. Let us make a better world for our industry!



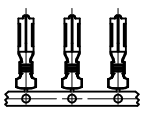
Contact us

Tel: +86-755-8981 8866 Fax: +86-755-8427 6832

Email & Skype: info@chipsmall.com Web: www.chipsmall.com

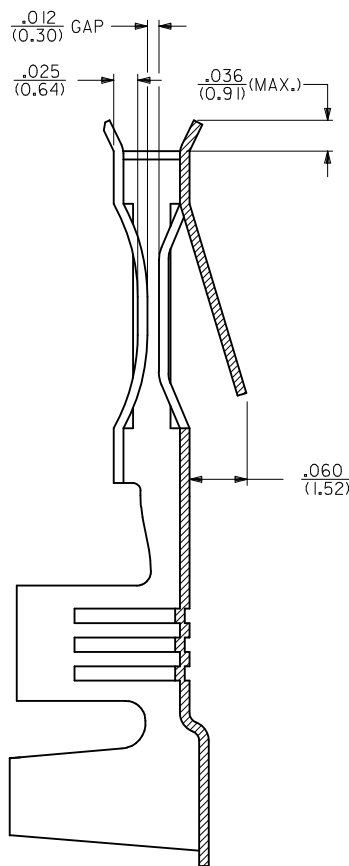
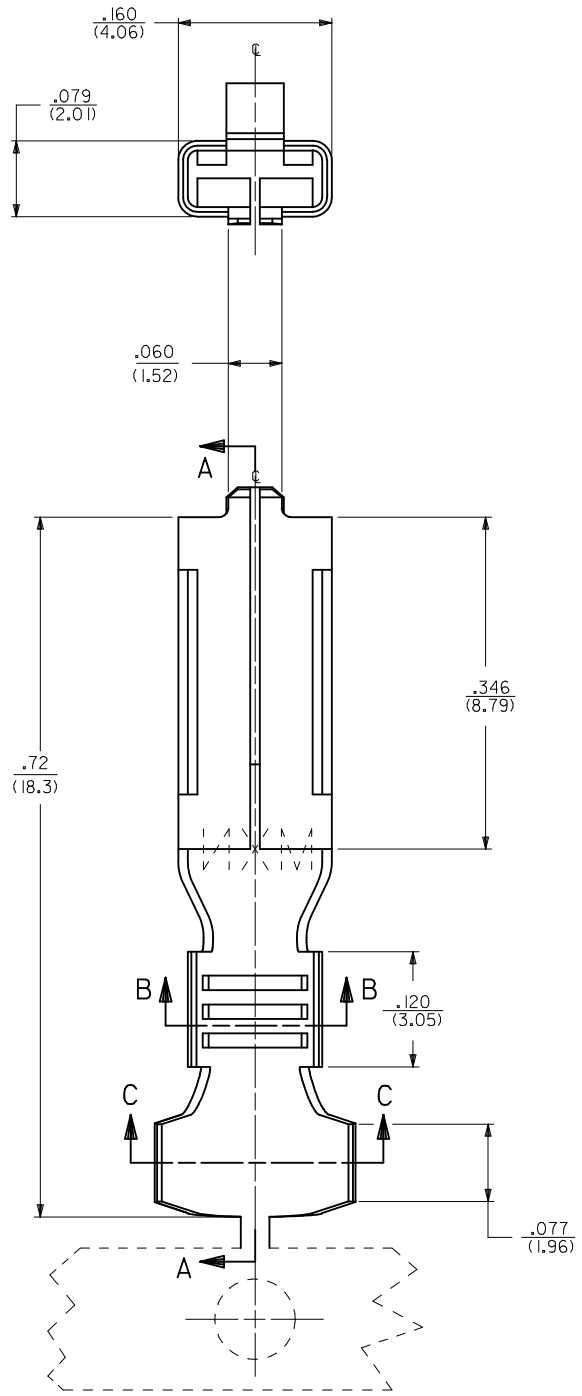
Address: A1208, Overseas Decoration Building, #122 Zhenhua RD., Futian, Shenzhen, China





1508-0009 CARRIER
ACTUAL SIZE IN CHAIN FORM
 SEE NOTE 3

- NOTES:
1. MATERIAL:
BRASS, ALLOY #C26000 .012±.0002 (0.305±0.013) THICK.
 2. PLATING:
PRETINNED, HOT TIN DIP ON STRIP,
.000020/(0.00051) MIN.
 3. TERMINAL MATES WITH .020/(0.51) X .125/(3.18) MALE SPADE.
 4. FOR CRIMPING TO THE FOLLOWING WIRES:
SINGLE 14, 16 OR 18 AWG OR DOUBLE 18 OR 20 AWG WITH .031/ (0.79) THICK INSULATION.
 5. 1508-0009 CARRIER TYPE TERMINALS WOUND ON 24 INCH REELS.



SECTION A-A

B	REVISED NOTES PER UCP2010-0217 09-07-23 CLS
A	REMOVE *X* PER EGM# U40224 94/02/16 MAB

MFG.	SH.	REV.	LTR.	REVISIONS

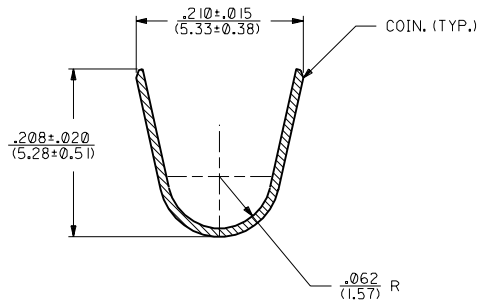


DIMENSIONS SHOWN (METRIC) INCH	
UNLESS OTHERWISE SPECIFIED TOLERANCES: ANGULAR ± 1/2°	
PLACE	TOLERANCE
3 PLACE	± .010
2 PLACE	± .014 ± 0.25
1 PLACE	± 0.35
DRAFT WHERE APPLICABLE MUST REMAIN WITHIN DIMENSIONS	
DRWG. BY: MAB	CHK'D. BY: KBP
APP'D. BY: RAS	SCALE: 10: 1

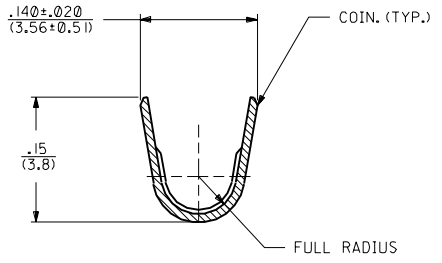
▽ = 0	▼ = 0	REVISE ONLY ON CAD SYSTEM	
TITLE: TERMINAL, OPEN END FOR .020/(0.51) X .125/(3.18) SPADE, CRIMP			
PART NO. SEE SHEET 2		DRWG. NO. SD-1508-0009	
FILE NAME: SD1508X9 DEN		SHEET NO. 1 OF 2 DATE: 94/02/16	
MOLEX INCORPORATED U.S.A. 60532			
THIS DRAWING CONTAINS INFORMATION THAT IS PROPRIETARY TO MOLEX INC. AND SHOULD NOT BE USED WITHOUT WRITTEN PERMISSION.			

13 12 11 10 9 8 7 6 1508 4 3 2 1

PART NO.	ENG. NO.	FORM
005-06-0117	1508-0009	CHAIN
005-06-0118	1508-1009	LOOSE



SECTION C-C



SECTION B-B

MFG.	SH.	REV.	LTR.	REVISIONS
				A SEE SHEET 1

DIMENSIONS SHOWN METRIC (INCH)		▽ = 0	▼ = 0	REVISE ONLY ON CAD SYSTEM													
UNLESS OTHERWISE SPECIFIED TOLERANCES: ANGULAR ± 1/2°		TITLE															
<table border="1"> <thead> <tr> <th></th> <th>INCH</th> <th>METRIC</th> </tr> </thead> <tbody> <tr> <td>3 PLACE</td> <td>± .010</td> <td>---</td> </tr> <tr> <td>2 PLACE</td> <td>± .014</td> <td>± 0.25</td> </tr> <tr> <td>1 PLACE</td> <td>---</td> <td>± 0.35</td> </tr> </tbody> </table>			INCH	METRIC	3 PLACE	± .010	---	2 PLACE	± .014	± 0.25	1 PLACE	---	± 0.35	TERMINAL, OPEN END FOR .020/(0.51) X .125/(3.18) SPADE CRIMP			
	INCH	METRIC															
3 PLACE	± .010	---															
2 PLACE	± .014	± 0.25															
1 PLACE	---	± 0.35															
DRAFT WHERE APPLICABLE MUST REMAIN WITHIN DIMENSIONS		PART NO. SEE CHART FILE NAME SD1508X10.DWG		SHEET NO. 2 DATE 94/02/16													
DRWG. BY MAB APP'D. RAS		CHK'D. BY KBP SCALE 10:1		DRWG. NO. SD-1508-0009 DIV. CP SIZE C													
THIS DRAWING CONTAINS INFORMATION THAT IS PROPRIETARY TO MOLEX INC. AND SHOULD NOT BE USED WITHOUT WRITTEN PERMISSION.																	

13 12 11 10 9 8 7 6 5 4 3 2 1