



Chipsmall Limited consists of a professional team with an average of over 10 year of expertise in the distribution of electronic components. Based in Hongkong, we have already established firm and mutual-benefit business relationships with customers from,Europe,America and south Asia,supplying obsolete and hard-to-find components to meet their specific needs.

With the principle of "Quality Parts,Customers Priority,Honest Operation,and Considerate Service",our business mainly focus on the distribution of electronic components. Line cards we deal with include Microchip,ALPS,ROHM,Xilinx,Pulse,ON,Everlight and Freescale. Main products comprise IC,Modules,Potentiometer,IC Socket,Relay,Connector.Our parts cover such applications as commercial,industrial, and automotives areas.

We are looking forward to setting up business relationship with you and hope to provide you with the best service and solution. Let us make a better world for our industry!



Contact us

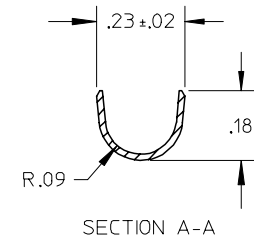
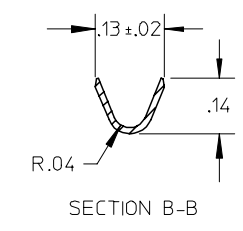
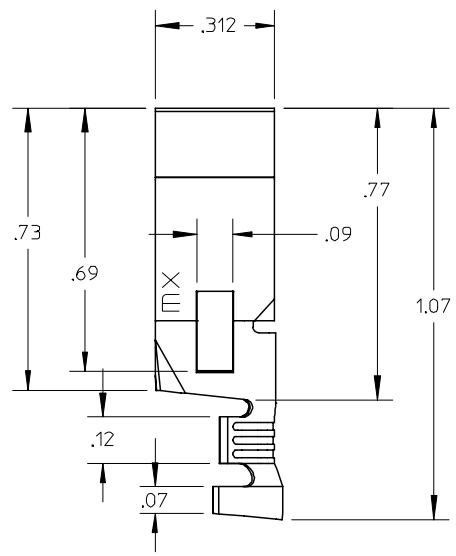
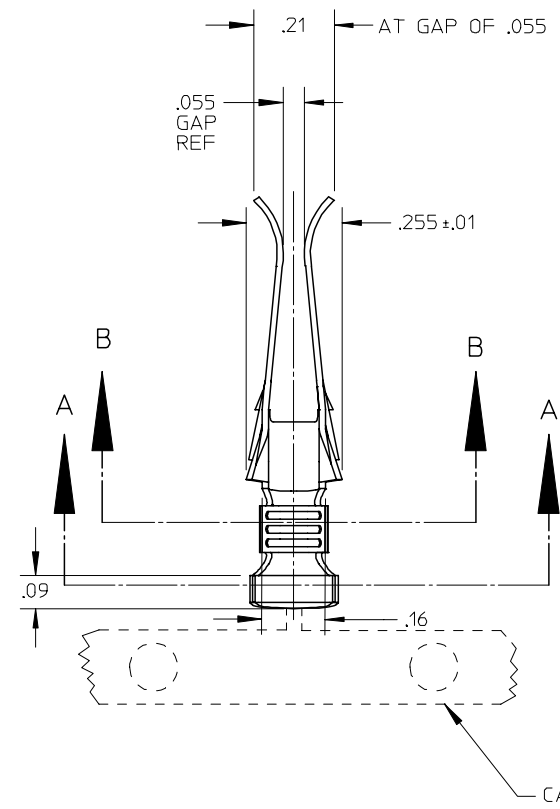
Tel: +86-755-8981 8866 Fax: +86-755-8427 6832

Email & Skype: info@chipsmall.com Web: www.chipsmall.com

Address: A1208, Overseas Decoration Building, #122 Zhenhua RD., Futian, Shenzhen, China



NOTES:
 1. MATERIAL: .016 THK. BRONZE ALLOY
 2. FINISH: NONE
 3. PRODUCT SPECIFICATION: NONE



CARRIER STRIP

REVISED & REDRAWN EC NO: UCP2004-0879 DRWN: JSCHAFFER 2003/11/14 CHK'D: 2003/11/14 APPR: BWIRKUS 2003/11/17	QUALITY SYMBOLS	GENERAL TOLERANCES (UNLESS SPECIFIED)		SCALE 2:1	DESIGN UNITS INCH	THIRD ANGLE PROJECTION	REVISE ON CAD ONLY		
	 	4 PLACES	± ---	± ---	DIMENSION STYLE INCH ONLY		TITLE RANGE PROBE TERMINAL FOR 14, 16, 18 GA. WIRE		
		3 PLACES	± ---	± .005	DRAWN BY JSCHAFFER	DATE 11-06-03			
		2 PLACES	±	± .010	CHECKED BY BWIRKUS	DATE 11-07-03	MOLEX INCORPORATED MATERIAL NO. 05-12-1100 DOCUMENT NO. SD-6482-* SHEET NO. 1 OF 1		
		1 PLACE	±	± ---	APPROVED BY BWIRKUS	DATE 11-07-03			
		ANGULAR ±1/2°		THIS DRAWING CONTAINS INFORMATION THAT IS PROPRIETARY TO MOLEX INCORPORATED AND SHOULD NOT BE USED WITHOUT WRITTEN PERMISSION					
		DRAFT WHERE APPLICABLE MUST REMAIN WITHIN DIMENSIONS							