



Chipsmall Limited consists of a professional team with an average of over 10 year of expertise in the distribution of electronic components. Based in Hongkong, we have already established firm and mutual-benefit business relationships with customers from,Europe,America and south Asia,supplying obsolete and hard-to-find components to meet their specific needs.

With the principle of “Quality Parts,Customers Priority,Honest Operation,and Considerate Service”,our business mainly focus on the distribution of electronic components. Line cards we deal with include Microchip,ALPS,ROHM,Xilinx,Pulse,ON,Everlight and Freescale. Main products comprise IC,Modules,Potentiometer,IC Socket,Relay,Connector.Our parts cover such applications as commercial,industrial, and automotives areas.

We are looking forward to setting up business relationship with you and hope to provide you with the best service and solution. Let us make a better world for our industry!



## Contact us

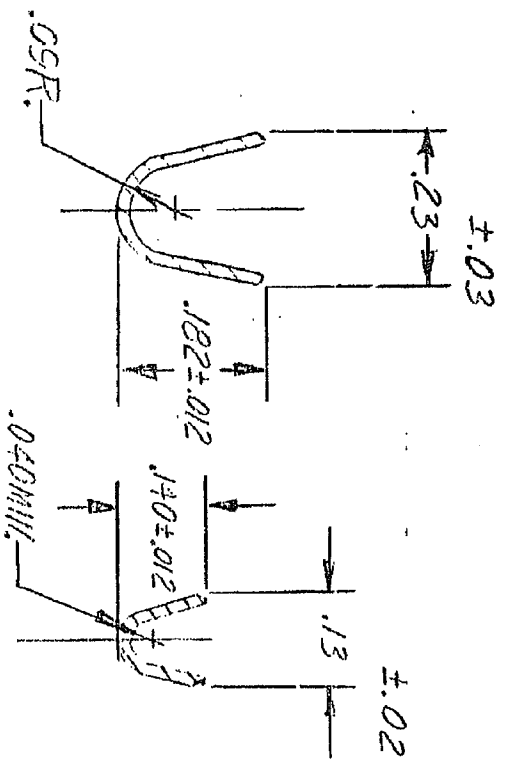
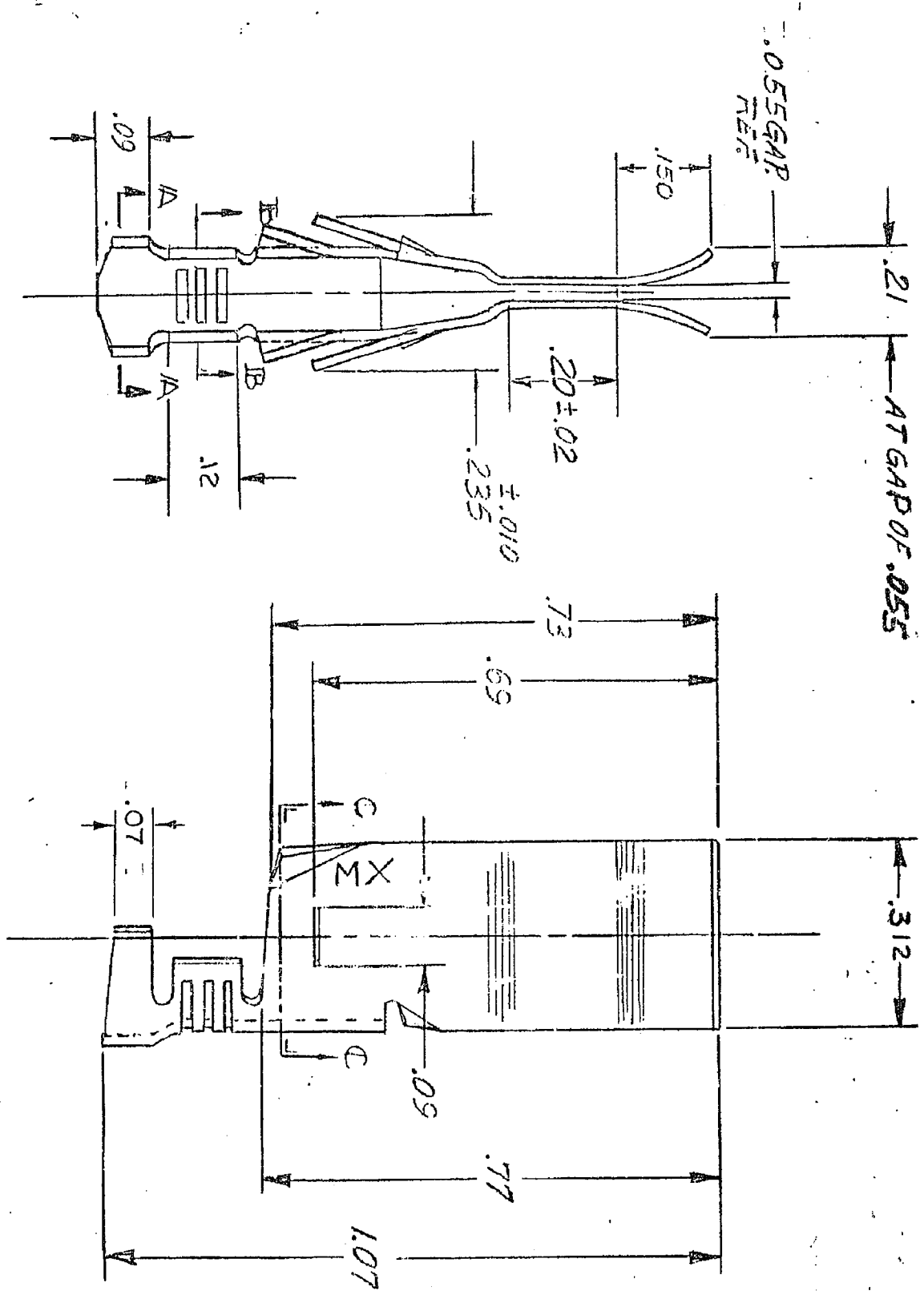
Tel: +86-755-8981 8866 Fax: +86-755-8427 6832

Email & Skype: info@chipsmall.com Web: www.chipsmall.com

Address: A1208, Overseas Decoration Building, #122 Zhenhua RD., Futian, Shenzhen, China

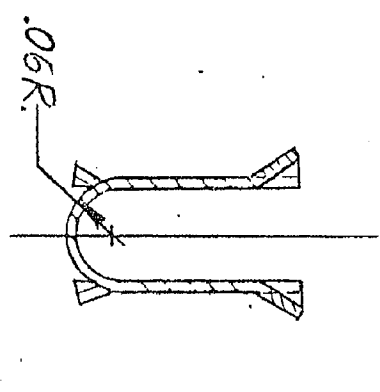


SD-6482-1\*



SECTION A/A

SECTION B/B



SECTION C/C

NOTES:  
▲ FOR CRIMPING 14 TO 18 A.W.G. WIRE.

PART No	ENG No	DESCRIPTION
05-12-1102	6482-1	CHAIN

MATERIAL:  
BRONZE, HIGH TEMPERATURE, .016 THICK.

D	DELETE PART NO. ECR U2-1706 23-01-20 AG
C	.07 ADDED. ECR U8-2273 11-29-88 MB
B	REVISE MAT'L. CALLOUT BRONZE WAS BRASS & ADD EDP NO. TO 6482-1L PER ERO # 22731 6-12-86 JCS MB
A	ADD EDP # TO 6482-1 PER ERO # 19397 10-5-84 JCS
1	X-RELEASE PER ERO # 14276 10-12-81 JOK

REVISIONS

UNLESS OTHERWISE SPECIFIED  
TOLERANCES:  
1. PLACE DEC. DIMS ±.010  
2. PLACE DEC. DIMS ±.014  
ANGULAR ± 1/2°  
DRAFT WHEN APPLICABLE MUST REMAIN WITHIN DIRECTIONS, UNLESS OTHERWISE SPECIFIED.  
DO NOT SCALE DRAWING

TERMINAL

MOLEX PRODUCTS CO.

DATE 10-12-81

SD-6482-1\*

DOWNERS GROVE, ILL. 60515, U.S.A.

THIS DRAWING CONTAINS INFORMATION THAT IS PROPRIETARY TO THE MOLEX PRODUCTS COMPANY AND SHOULD NOT BE USED WITHOUT WRITTEN PERMISSION.