



Chipsmall Limited consists of a professional team with an average of over 10 year of expertise in the distribution of electronic components. Based in Hongkong, we have already established firm and mutual-benefit business relationships with customers from,Europe,America and south Asia,supplying obsolete and hard-to-find components to meet their specific needs.

With the principle of “Quality Parts,Customers Priority,Honest Operation,and Considerate Service”,our business mainly focus on the distribution of electronic components. Line cards we deal with include Microchip,ALPS,ROHM,Xilinx,Pulse,ON,Everlight and Freescale. Main products comprise IC,Modules,Potentiometer,IC Socket,Relay,Connector.Our parts cover such applications as commercial,industrial, and automotives areas.

We are looking forward to setting up business relationship with you and hope to provide you with the best service and solution. Let us make a better world for our industry!



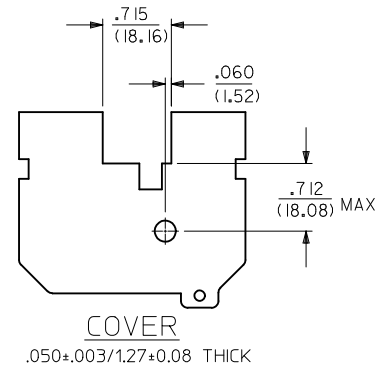
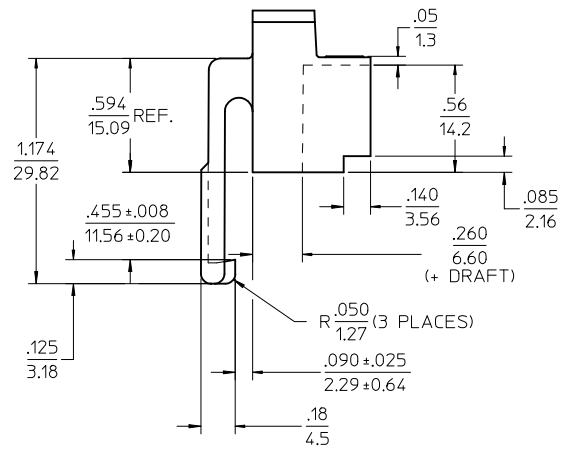
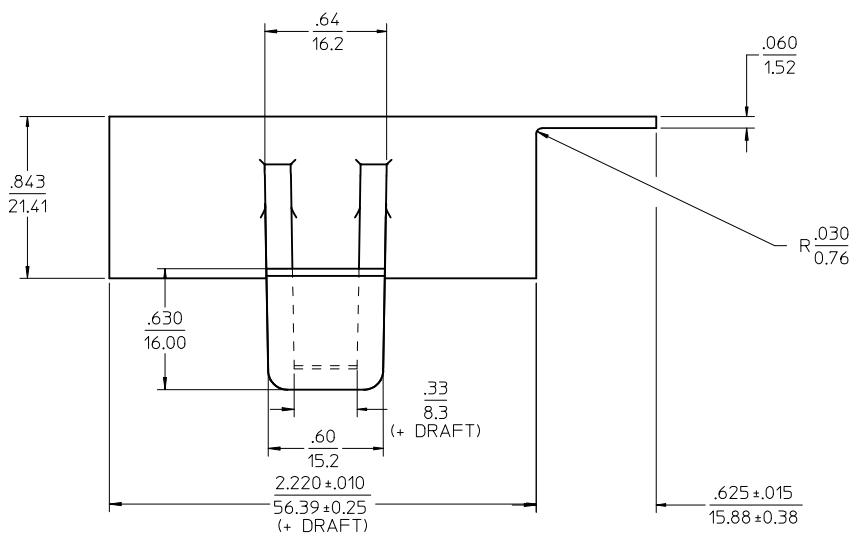
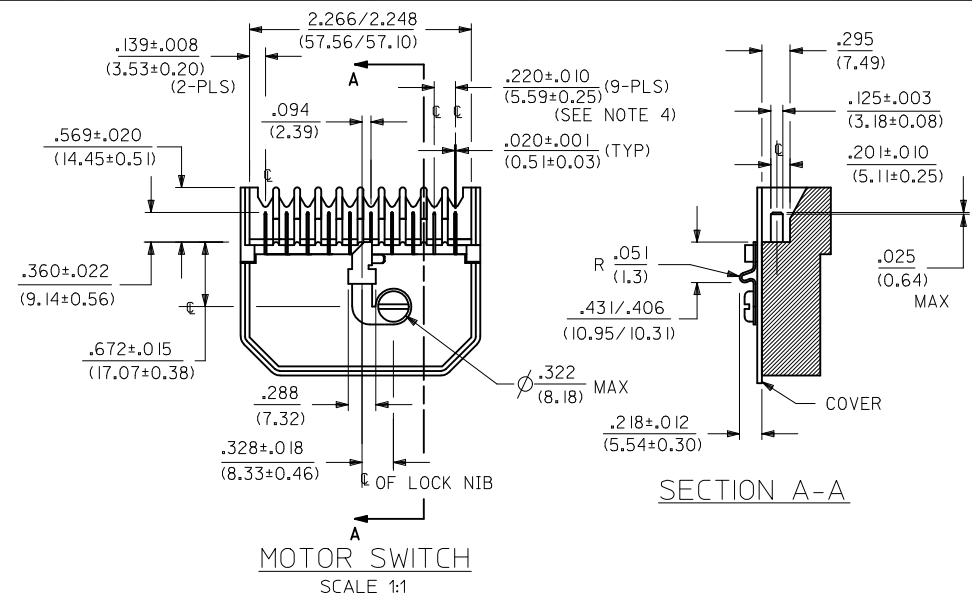
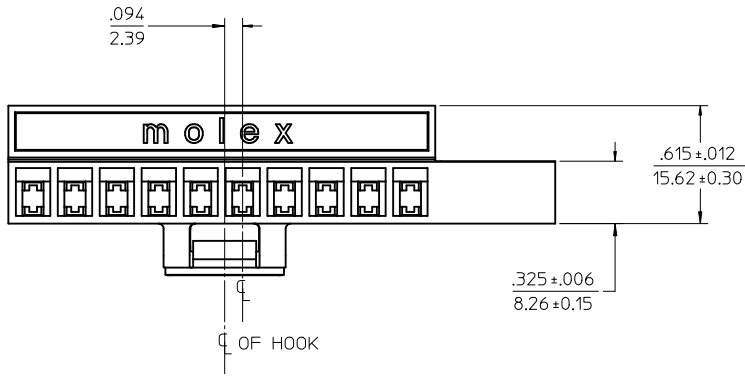
Contact us

Tel: +86-755-8981 8866 Fax: +86-755-8427 6832

Email & Skype: info@chipsmall.com Web: www.chipsmall.com

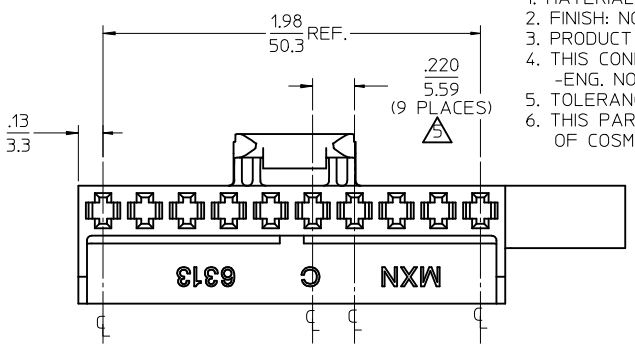
Address: A1208, Overseas Decoration Building, #122 Zhenhua RD., Futian, Shenzhen, China





- NOTES:
1. MATERIAL: NYLON(PA66), UL94V-2, COLOR: SEE CHART
 2. FINISH: NONE
 3. PRODUCT SPECIFICATION: NONE
 4. THIS CONNECTOR HOUSING FOR USE WITH TERMINALS: -ENG. NO. 1508-0009
 5. TOLERANCE IS NOT ACCUMULATIVE.
 6. THIS PART CONFORMS TO CLASS B REQUIREMENTS OF COSMETIC SPECIFICATION PS-45499-002.

| | MATERIAL NUMBER | ENGINEERING NUMBER | HOUSING COLOR |
|----------|-----------------|--------------------|-----------------------------|
| | 006-02-1103 | 6313-3-10 | NATURAL (WHITE/TRANSLUCENT) |
| OBSOLETE | 006-02-1104 | 6313-3-10-RD | RED |
| | 050-29-1555 | 6313-3-10-BU | BLUE |



| REVISE PS (NOTE #3) EC NO: UCP2011-3555 DRW: AELHAG 2011/05/16 CHKD: JELL 2011/05/16 APPR: FSMITH 2011/06/07 | QUALITY SYMBOLS ▽=0 ▽=0 | GENERAL TOLERANCES (UNLESS SPECIFIED) <table border="1"> <tr> <th></th> <th>mm</th> <th>INCH</th> </tr> <tr> <td>4 PLACES</td> <td>± .13</td> <td>± .005</td> </tr> <tr> <td>3 PLACES</td> <td>± .13</td> <td>± .010</td> </tr> <tr> <td>2 PLACES</td> <td>± .13</td> <td>± .010</td> </tr> <tr> <td>1 PLACE</td> <td>± 0.25</td> <td>± .010</td> </tr> </table> ANGULAR ±1/2° | | mm | INCH | 4 PLACES | ± .13 | ± .005 | 3 PLACES | ± .13 | ± .010 | 2 PLACES | ± .13 | ± .010 | 1 PLACE | ± 0.25 | ± .010 | DIMENSION STYLE IN/MM | SCALE 2:1 | DESIGN UNITS INCH | THIRD ANGLE PROJECTION |
|---|-------------------------------|---|------------------------------|---|--------------------|----------|-------|--------|----------|-------|--------|----------|-------|--------|---------|--------|--------|--------------------------|--------------|----------------------|------------------------|
| | | | | mm | INCH | | | | | | | | | | | | | | | | |
| 4 PLACES | ± .13 | ± .005 | | | | | | | | | | | | | | | | | | | |
| 3 PLACES | ± .13 | ± .010 | | | | | | | | | | | | | | | | | | | |
| 2 PLACES | ± .13 | ± .010 | | | | | | | | | | | | | | | | | | | |
| 1 PLACE | ± 0.25 | ± .010 | | | | | | | | | | | | | | | | | | | |
| DRAWN BY AELHAG | DATE 2011/05/16 | CHECKED BY JBELL | DATE 2011/05/16 | HOUSING, CONNECTOR FOR MOTOR SWITCH APPLICATION | | | | | | | | | | | | | | | | | |
| DRAFT WHERE APPLICABLE MUST REMAIN WITHIN DIMENSIONS | | MATERIAL NO. SEE CHART | DOCUMENT NO. SD-6313-3-10 | SHEET NO. 1 OF 1 | MOLEX INCORPORATED | | | | | | | | | | | | | | | | |
| THIS DRAWING CONTAINS INFORMATION THAT IS PROPRIETARY TO MOLEX INCORPORATED AND SHOULD NOT BE USED WITHOUT WRITTEN PERMISSION | | | | | | | | | | | | | | | | | | | | | |