



Chipsmall Limited consists of a professional team with an average of over 10 year of expertise in the distribution of electronic components. Based in Hongkong, we have already established firm and mutual-benefit business relationships with customers from,Europe,America and south Asia,supplying obsolete and hard-to-find components to meet their specific needs.

With the principle of “Quality Parts,Customers Priority,Honest Operation,and Considerate Service”,our business mainly focus on the distribution of electronic components. Line cards we deal with include Microchip,ALPS,ROHM,Xilinx,Pulse,ON,Everlight and Freescale. Main products comprise IC,Modules,Potentiometer,IC Socket,Relay,Connector.Our parts cover such applications as commercial,industrial, and automotives areas.

We are looking forward to setting up business relationship with you and hope to provide you with the best service and solution. Let us make a better world for our industry!



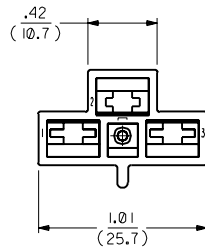
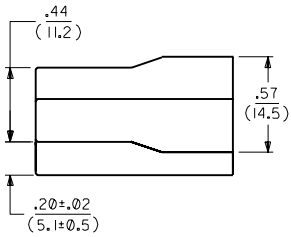
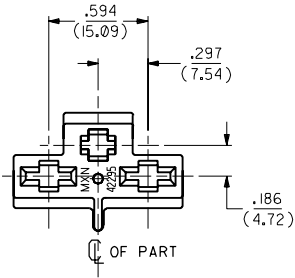
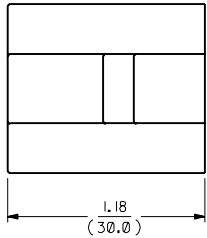
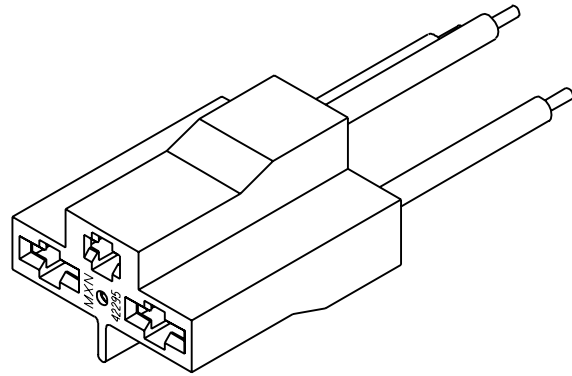
Contact us

Tel: +86-755-8981 8866 Fax: +86-755-8427 6832

Email & Skype: info@chipsmall.com Web: www.chipsmall.com

Address: A1208, Overseas Decoration Building, #122 Zhenhua RD., Futian, Shenzhen, China





NOTES :

- 1) MATERIAL : NYLON TYPE 6/6, 94V-2
COLOR : NATURAL (WHITE/TRANSLUCENT)
- 2) THIS HOUSING IS FOR USE WITH TERMINALS :
- ENG. NO. 41422-3* (3 PL)
- 3) PRODUCT SPEC. PS-42295-2 APPLIES.

IMPORTANT NOTE: IT IS THE INTENTION OF MOLEX, INCORPORATED TO OBTAIN PATENT PROTECTION FOR THE IDEA CONTAINED IN THIS DRAWING. ACCORDINGLY, THIS DRAWING CANNOT BE SHOWN TO ANY PARTY OUTSIDE OF MOLEX WITHOUT A SIGNED CONFIDENTIAL DISCLOSURE AGREEMENT.

A FINAL RELEASE
ECR LIS 10099
89/10/4 COMSTOCK

MFG. SH. REV. LTR. REVISIONS

REVISE ONLY ON CAD SYSTEM

DIMENSIONS SHOWN (METRIC) INCH		TITLE	
UNLESS OTHERWISE SPECIFIED TOLERANCES: ANGULAR ± 1/2°		3 CIRCUIT WATER VALVE CONNECTOR	
INCH	METRIC	MOLEX INCORPORATED	
3 PLACE ± .005	---	SHEET NO. DATE	
2 PLACE ± .01	± 0.13	1 OF 1 89/10/4	
1 PLACE ---	± 0.25	MOLEX INCORPORATED	
DRAFT WHERE APPLICABLE MUST REMAIN WITHIN DIMENSIONS		PART NO. DRWG. NO.	
DRWG. BY: GMC		06-02-2031 SD-42295-2	
CHKD. BY: KBP		FILE NAME: EHA42295X2	
APP'D. BY: GWF		SCALE: 2 : 1	
		THIS DRAWING CONTAINS INFORMATION THAT IS PROPRIETARY TO MOLEX INC. AND SHOULD NOT BE USED WITHOUT WRITTEN PERMISSION.	

42295

A