



Chipsmall Limited consists of a professional team with an average of over 10 year of expertise in the distribution of electronic components. Based in Hongkong, we have already established firm and mutual-benefit business relationships with customers from,Europe,America and south Asia,supplying obsolete and hard-to-find components to meet their specific needs.

With the principle of “Quality Parts,Customers Priority,Honest Operation,and Considerate Service”,our business mainly focus on the distribution of electronic components. Line cards we deal with include Microchip,ALPS,ROHM,Xilinx,Pulse,ON,Everlight and Freescale. Main products comprise IC,Modules,Potentiometer,IC Socket,Relay,Connector.Our parts cover such applications as commercial,industrial, and automotives areas.

We are looking forward to setting up business relationship with you and hope to provide you with the best service and solution. Let us make a better world for our industry!



Contact us

Tel: +86-755-8981 8866 Fax: +86-755-8427 6832

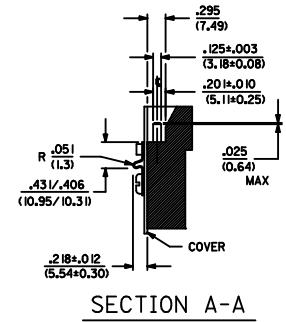
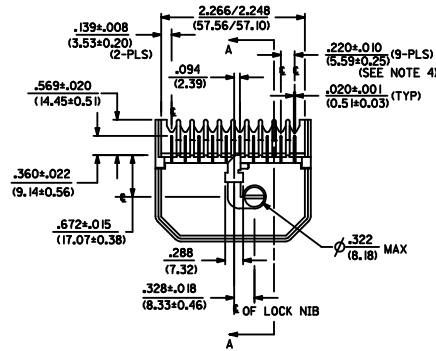
Email & Skype: info@chipsmall.com Web: www.chipsmall.com

Address: A1208, Overseas Decoration Building, #122 Zhenhua RD., Futian, Shenzhen, China



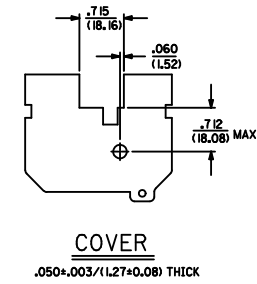
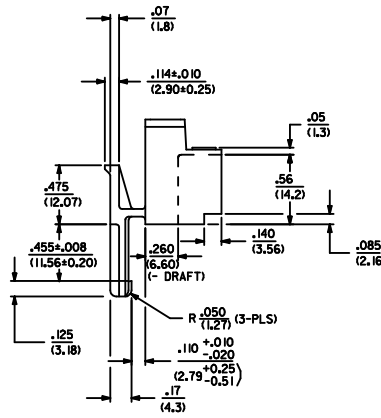
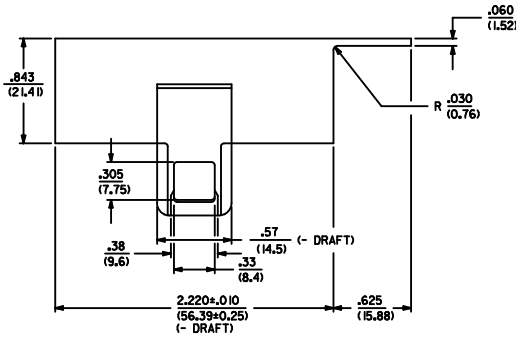
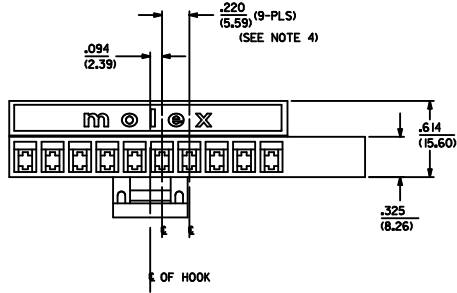
NOTES

1. THIS HOUSING IS FOR USE WITH TERMINALS:
- ENG. NO. 1508-0009.
2. UNLESS OTHERWISE SPECIFIED, ALL RADII TO BE
.025/(0.64).
3. MATERIAL : NYLON 6/6,94V-2. COLOR : NATURAL
(WHITE/TRANSLUCENT).
4. TOLERANCE IS NOT CUMULATIVE.
5. PRODUCT SPECIFICATION : NONE.



MOTOR SWITCH

SCALE 1:1



REVISE PS (NOTE #5) EEC NO. UCP2011-3555 DRAWN: AELHAG 2011/05/16 CHECKED: JBELL 2011/05/16 APPROVED: FSWITH 2011/06/07	QUALITY SYMBOLS	GENERAL TOLERANCES (UNLESS SPECIFIED)	DIMENSION STYLE	SCALE	DESIGN UNITS	THIRD ANGLE PROJECTION
	▽=0 ▽=0 ▽=0	mm INCH 4 PLACES ±.010 ±.010 3 PLACES ±.025 ±.014 2 PLACES ±.035 ±.014 1 PLACE ±.035 ±.014 ANGULAR ±1/2°	IN/MM	2:1	INCH	AELHAG 2011/05/16 JBELL 2011/05/16
	DRAFT WHERE APPLICABLE MUST REMAIN WITHIN DIMENSIONS	MATERIAL NO.	DATE	HOUSING CONNECTOR FOR MOTOR SWITCH APPLICATION MOLEX INCORPORATED		
	SIZE D	006-02-3103	DATE	DOCUMENT NO.	SD-6313-1-10	SHEET NO. 1 OF 1