



Chipsmall Limited consists of a professional team with an average of over 10 year of expertise in the distribution of electronic components. Based in Hongkong, we have already established firm and mutual-benefit business relationships with customers from,Europe,America and south Asia,supplying obsolete and hard-to-find components to meet their specific needs.

With the principle of “Quality Parts,Customers Priority,Honest Operation,and Considerate Service”,our business mainly focus on the distribution of electronic components. Line cards we deal with include Microchip,ALPS,ROHM,Xilinx,Pulse,ON,Everlight and Freescale. Main products comprise IC,Modules,Potentiometer,IC Socket,Relay,Connector.Our parts cover such applications as commercial,industrial, and automotives areas.

We are looking forward to setting up business relationship with you and hope to provide you with the best service and solution. Let us make a better world for our industry!



Contact us

Tel: +86-755-8981 8866 Fax: +86-755-8427 6832

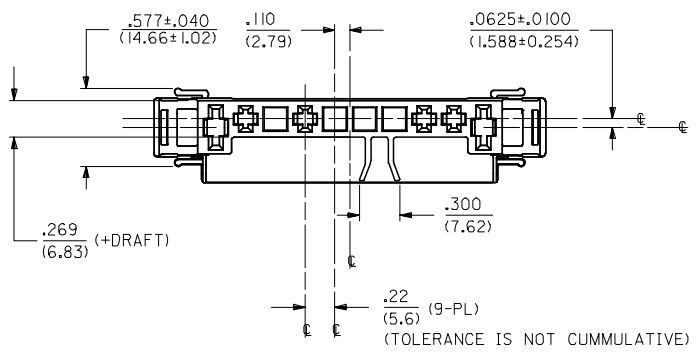
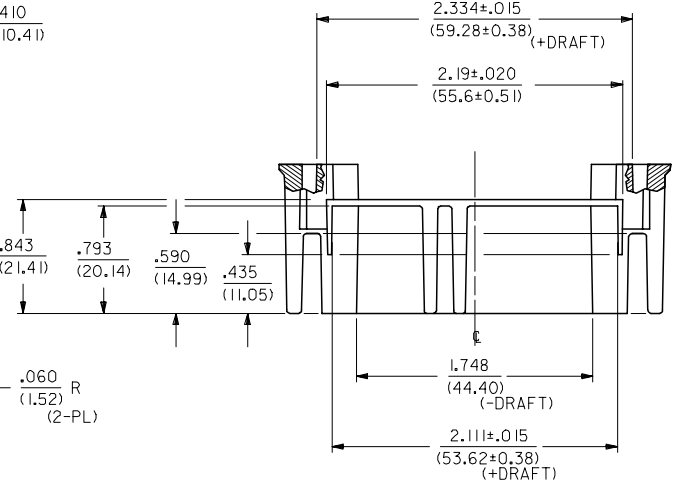
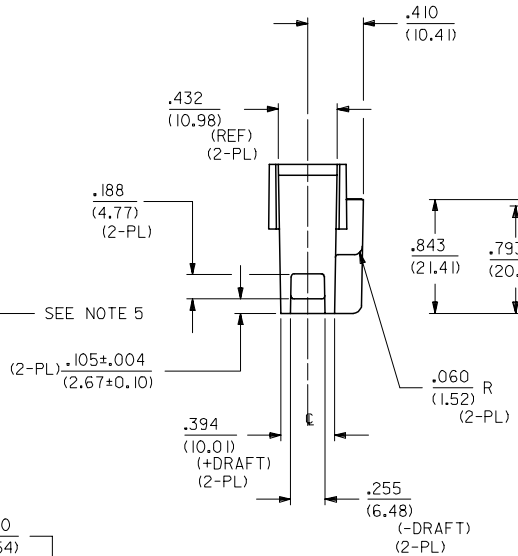
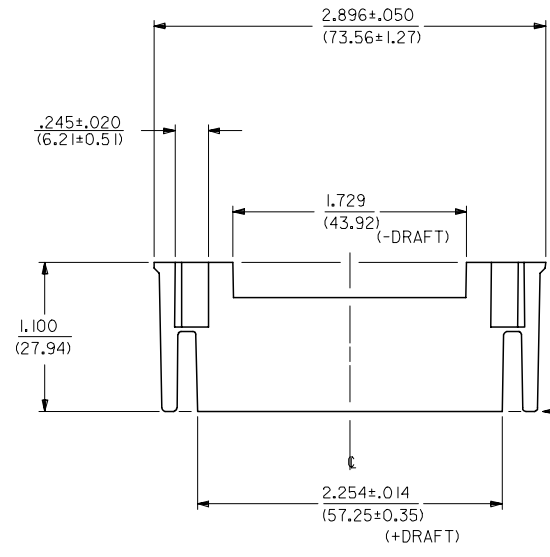
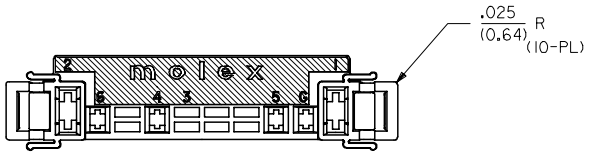
Email & Skype: info@chipsmall.com Web: www.chipsmall.com

Address: A1208, Overseas Decoration Building, #122 Zhenhua RD., Futian, Shenzhen, China



NOTES

1. MATERIAL: NYLON 6/6, 94V-2. COLOR: NATURAL (WHITE/TRANSLUCENT) PER SMES-128-A.
2. FINISH: NONE.
3. PRODUCT SPECS: PSX-42865-0001, PSX-42865-0002 & PS-43374-0001 APPLY.
4. PACKAGING SPECS: HOUSINGS ARE PACKED ACCORDING TO PK-42865-001.
5. THE OUTSIDE EDGES ASSOCIATED WITH THIS SURFACE TO HAVE .02/(0.51) RADII.
6. 42865-0001 CONNECTOR HOUSING IS FOR USE WITH TERMINALS:
 - .125/(3.18) SPADE: I508-* & 43374-***I (4-PL MAX)
 - .250/(6.35) SPADE: 41422-3***5** (2-PL MAX)
7. 42865-0002 CONNECTOR HOUSING IS FOR USE WITH TERMINALS:
 - .125/(3.18) SPADE: I508-* & 43374-***I (5-PL MAX)
 - .250/(6.35) SPADE: 41422-3***5** (2-PL MAX)
8. PART CONFORMS TO CLASS B REQUIREMENTS OF COSMETIC SPECS PS-45499-002.



42865-0001	006-02-3104
ENG. NO.	PART NO.

ADD NOTES 2.47&8 EC NO: UCP2007-1658 DRW: AELHAG CHKD: 2007/03/19 APPR: FSM TH	QUALITY SYMBOLS
	$\nabla=0$ $\nabla=0$
	DESCRIPTION
	REV

GENERAL TOLERANCES (UNLESS SPECIFIED)	
	IN/MM
4 PLACES ± --- ± ---	
3 PLACES ± --- ± .010	
2 PLACES ± 0.25 ± .014	
1 PLACE ± 0.35 ± ---	
ANGULAR ±1/2°	
DRAFT WHERE APPLICABLE MUST REMAIN WITHIN DIMENSIONS	

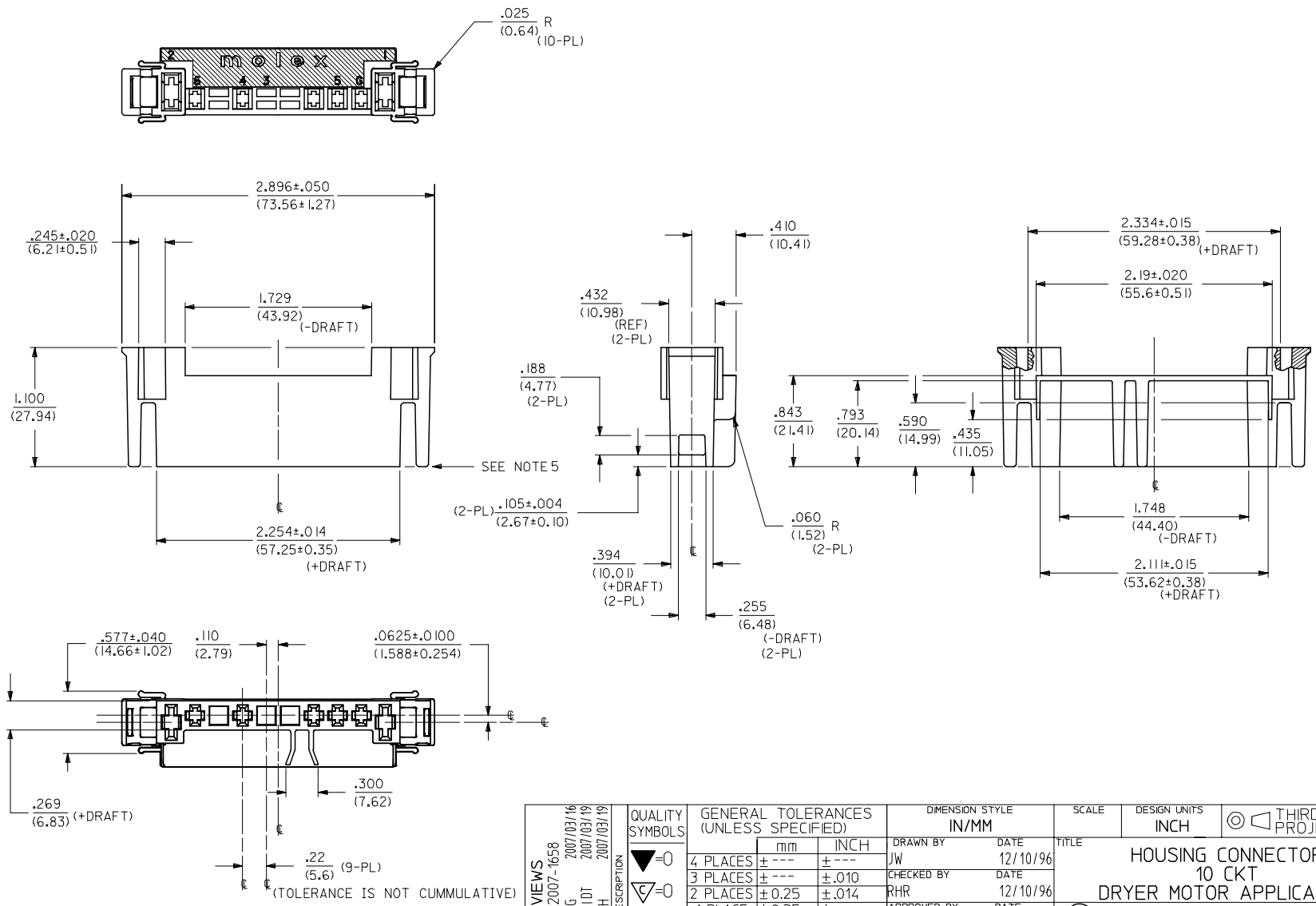
DIMENSION STYLE	
IN/MM	
DRAWN BY	DATE
KBP	10/17/1991
CHECKED BY	DATE
KBP	10/17/1991
APPROVED BY	DATE
RAS	10/17/1991
MATERIAL NO.	
SEE CHART	

SCALE 1:1	DESIGN UNITS INCH	THIRD ANGLE PROJECTION
HOUSING, CONNECTOR 10 - CIRCUITS DRYER MOTOR APPLICATION		
MOLEX INCORPORATED		
MATERIAL NO.	DOCUMENT NO.	SHEET NO.
SD-42865-0001		1 OF 2
THIS DRAWING CONTAINS INFORMATION THAT IS PROPRIETARY TO MOLEX INCORPORATED AND SHOULD NOT BE USED WITHOUT WRITTEN PERMISSION		

13 12 11 10 9 8 7 6 5 4 3 2 1

J
I
H
G
F
E
D
C
B
A

J
I
H
G
F
E
D
C
B
A



42865-0002	006-02-3105
ENG. NO.	PART NO.

UPDATE VIEWS	DESCRIPTION
FC NO: UCP2007-1658	2007/03/16
DRW:NAELHAG	2007/03/19
CHKD:LSHMDT	2007/03/19
APPR:FSM TH	2007/03/19

QUALITY SYMBOLS	GENERAL TOLERANCES (UNLESS SPECIFIED)
▽=0	mm INCH
▽=0	4 PLACES ± --- ± ---
	3 PLACES ± --- ± .010
	2 PLACES ± 0.25 ± .014
	1 PLACE ± 0.35 ± ---
	ANGULAR ±1/2°
	DRAFT WHERE APPLICABLE MUST REMAIN WITHIN DIMENSIONS

DIMENSION STYLE	SCALE
IN/MM	DESIGN UNITS INCH
DRAWN BY	DATE
JW	12/10/96
CHECKED BY	DATE
RHR	12/10/96
APPROVED BY	DATE
RE	12/10/96
MATERIAL NO.	DOCUMENT NO.
SEE CHART	SD-42865-0001

THIRD ANGLE PROJECTION	HOUSING CONNECTOR
	10 CKT
	DRYER MOTOR APPLICATION
MOLEX	MOLEX INCORPORATED
SHEET NO.	2 OF 2

12 11 10 9 8 7 6 5 4 3 2 1