



Chipsmall Limited consists of a professional team with an average of over 10 year of expertise in the distribution of electronic components. Based in Hongkong, we have already established firm and mutual-benefit business relationships with customers from,Europe,America and south Asia,supplying obsolete and hard-to-find components to meet their specific needs.

With the principle of “Quality Parts,Customers Priority,Honest Operation,and Considerate Service”,our business mainly focus on the distribution of electronic components. Line cards we deal with include Microchip,ALPS,ROHM,Xilinx,Pulse,ON,Everlight and Freescale. Main products comprise IC,Modules,Potentiometer,IC Socket,Relay,Connector.Our parts cover such applications as commercial,industrial, and automotives areas.

We are looking forward to setting up business relationship with you and hope to provide you with the best service and solution. Let us make a better world for our industry!



## Contact us

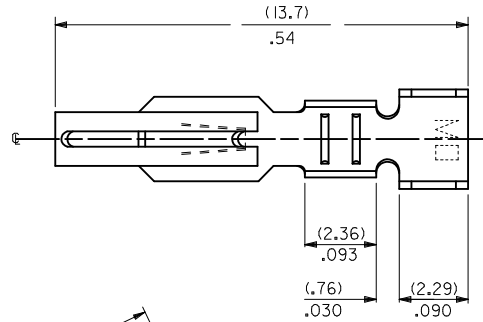
Tel: +86-755-8981 8866 Fax: +86-755-8427 6832

Email & Skype: info@chipsmall.com Web: www.chipsmall.com

Address: A1208, Overseas Decoration Building, #122 Zhenhua RD., Futian, Shenzhen, China



PART NO.	ENG NO.	PLATING
008-56-0113	2477-G	565
008-56-0114	2477-GL	565
008-50-0109	2477-(P909)	P909
008-50-0110	2477-(P909)L	P909

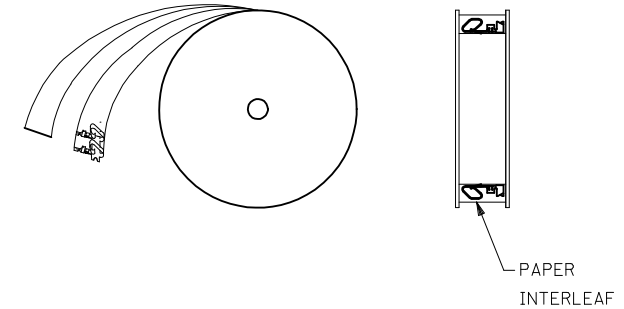
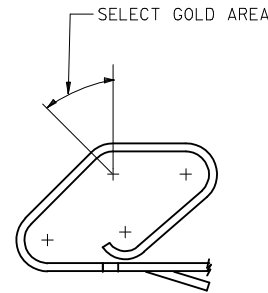
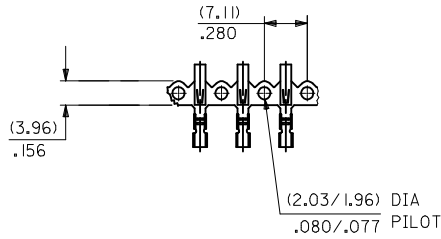
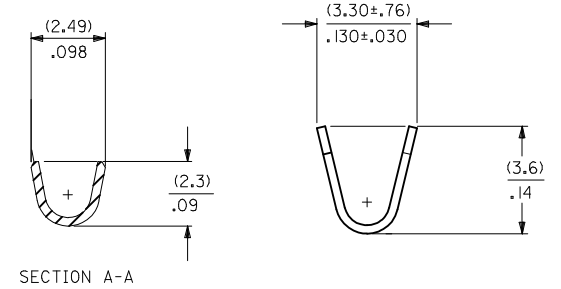
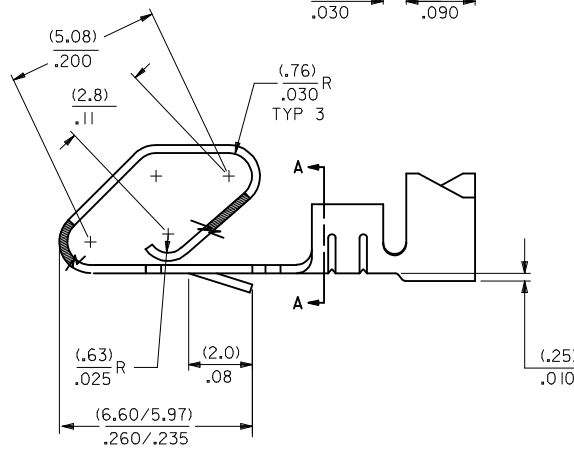
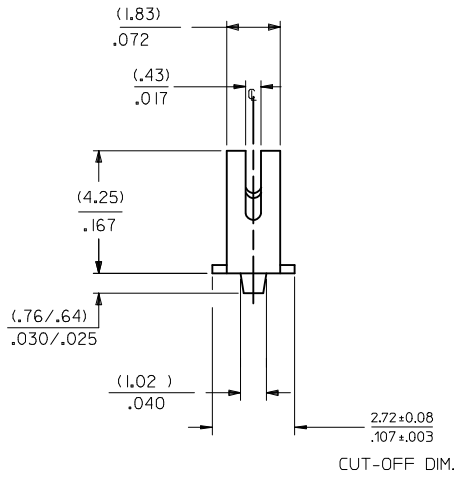


2477-\*\*\*-\*\*\*-\*\*\*  
 MATERIAL CODE  
 (.25)/.010 THK  
 BLANK= BRASS

WINDING SPEC.  
 BLANK=CHAIN, PER WINDING DETAIL "B"  
 L=LOOSE

OPTION CODE  
 BLANK=AS SHOWN

PLATING  
 SEE NOTE 2



WINDING DETAIL "B"

- NOTES:
- MATERIAL: SEE LEGEND
  - FINISH: P909: OVERALL HOT TIN DIP: (0.00254)/.000100 MIN.  
 565: SELECT GOLD: (0.00051)/.000020 MIN.  
 OVERALL NICKEL: (0.00076)/.000030 MIN.  
 OVERALL GOLD FLASH: (0.00005)/.000002 MIN.
  - PRODUCT SPECIFICATION: PS-08-50
  - CRIMP ACCEPTS 18 TO 24 GA. WIRE WITH (2.79)/.110 MAX. INSULATION DIA.
  - TERMINAL FOR USE IN 2139 AND 3069 SERIES HOUSINGS WITH (2.54)/.100 MAX. INSULATION DIAMETER AND 172159 SERIES HOUSINGS WITH (2.79)/.110 MAX. INSULATION DIAMETER.
  - THIS PART CONFORMS TO CLASS B REQUIREMENTS OF COSMETIC SPECIFICATION PS-45499-002.
  - MATING TERMINALS TO ROUND PINS IS NOT RECOMMENDED.

ADD NOTE 7 EC NO: UCP2015-3216 DRWN:HKIPPER 2015/02/06 CHKD:JBELL 2015/02/06 APPR:FSM/TH 2015/02/18	QUALITY SYMBOLS ▽=0 ▽=0 ▽=0	GENERAL TOLERANCES (UNLESS SPECIFIED)		DIMENSION STYLE	SCALE	DESIGN UNITS	THIRD ANGLE PROJECTION
		mm	INCH	MM/IN	---	INCH	
AD2	REV	4 PLACES	± ---	± ---	DRAWN BY	DATE	TITLE KK CRIMP TERMINAL (3.96)/.156 CENTERS 18 TO 24 AWG WIRE
		3 PLACES	± ---	± .010	SAMIEC	1995/03/02	
		2 PLACES	± 0.25	± .014	CHECKED BY	DATE	molex
		1 PLACE	± 0.36	± ---	PATEL	1995/03/02	
		0 PLACE	±	±	APPROVED BY	DATE	
ANGULAR ±1/2°		DRAFT WHERE APPLICABLE MUST REMAIN WITHIN DIMENSIONS		MATERIAL NO.	DOCUMENT NO.	SHEET NO.	
				SEE CHART	SD-2477-****	1 OF 1	
THIS DRAWING CONTAINS INFORMATION THAT IS PROPRIETARY TO MOLEX INCORPORATED AND SHOULD NOT BE USED WITHOUT WRITTEN PERMISSION							