



Chipsmall Limited consists of a professional team with an average of over 10 year of expertise in the distribution of electronic components. Based in Hongkong, we have already established firm and mutual-benefit business relationships with customers from,Europe,America and south Asia,supplying obsolete and hard-to-find components to meet their specific needs.

With the principle of “Quality Parts,Customers Priority,Honest Operation,and Considerate Service”,our business mainly focus on the distribution of electronic components. Line cards we deal with include Microchip,ALPS,ROHM,Xilinx,Pulse,ON,Everlight and Freescale. Main products comprise IC,Modules,Potentiometer,IC Socket,Relay,Connector.Our parts cover such applications as commercial,industrial, and automotives areas.

We are looking forward to setting up business relationship with you and hope to provide you with the best service and solution. Let us make a better world for our industry!



## Contact us

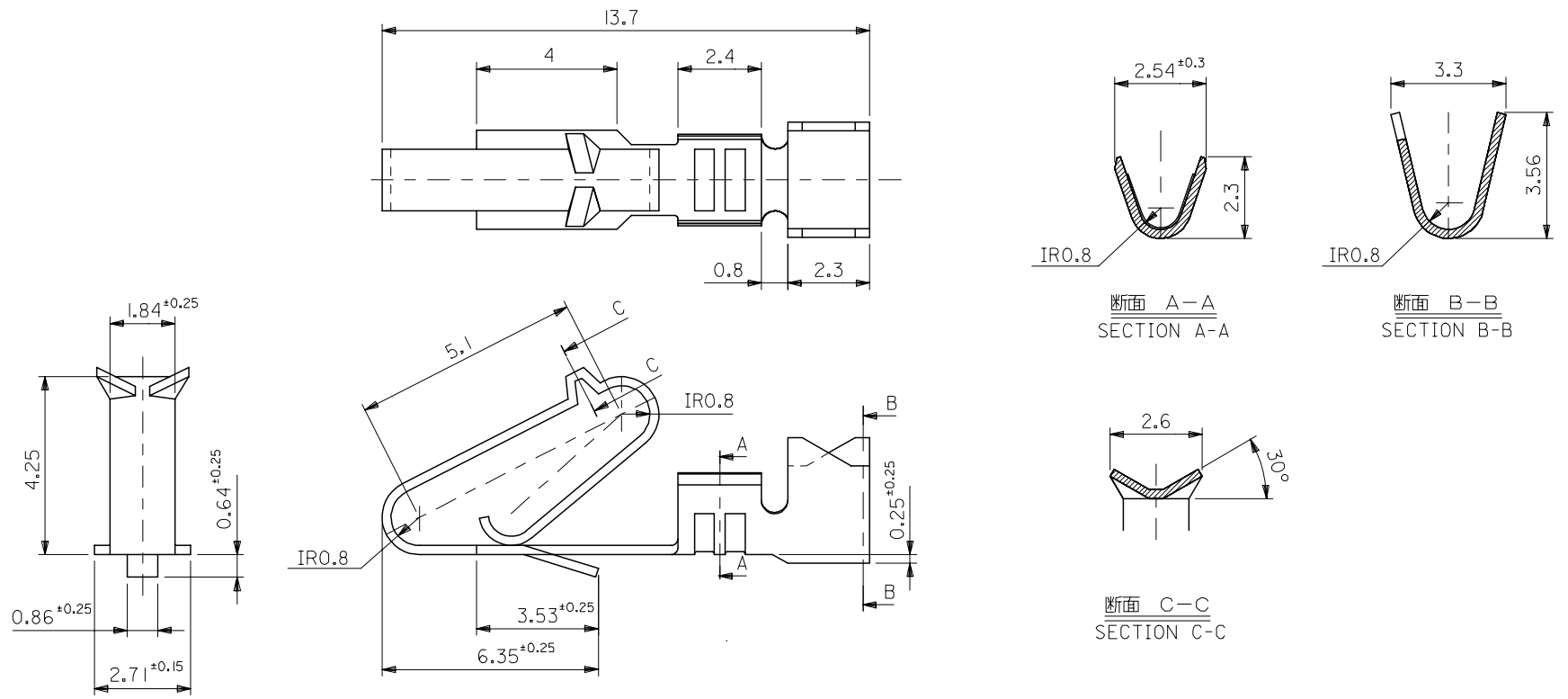
Tel: +86-755-8981 8866 Fax: +86-755-8427 6832

Email & Skype: info@chipsmall.com Web: www.chipsmall.com

Address: A1208, Overseas Decoration Building, #122 Zhenhua RD., Futian, Shenzhen, China



10 9 8 7 6 5 4 3 2 1



注記  
NOTE

一般公差 : ±0.4  
 角度 : ±3°  
 GENERAL TOLERANCES : ±0.4  
 ANGLE : ±3°

MATERIAL  
SEE CHART

磷青銅 PHOSPHOR BRONZE	錫メッキ TIN PLATING	08-70-1034	5167PBTL	バラ状 LOOSE
黄銅 BRASS	銅メッキ TIN OVER COPPER PLATING	08-70-0097	5167PBT	チェーン状 CHAIN
		08-70-0013	5167TL	バラ状 LOOSE
		08-70-0012	5167T	チェーン状 CHAIN
材料 MATERIAL	メッキ PLATE	EDP.NO.	ENG.NO.	形状 FORM

REVISED EC NO: J2005-0061 DRAWN: TANAKA CHKD: NUKITA APPR: NUKITA	GENERAL TOLERANCES (UNLESS SPECIFIED)		DIMENSION STYLE MM ONLY	SCALE 8:1	DESIGN UNITS METRIC	THIRD ANGLE PROJECTION
	10 UNDER	±0.2	DRAWN BY MHANAMUR	DATE 1996/05/23	TITLE STD KK CRIMP REC	
	10 OVER 30 UNDER	±0.25	CHECKED BY MFUKUSHI	DATE 1996/05/23	APPROVED BY MENOMOTO	
	30 OVER	±0.3	DATE 1996/05/23	MATERIAL NO. SEE CHART		
	ANGULAR ±3°	DRAFT WHERE APPLICABLE MUST REMAIN WITHIN DIMENSIONS	DOCUMENT NO. SD-5167*		SHEET NO. 1 OF 1	
G	THIS DRAWING CONTAINS INFORMATION THAT IS PROPRIETARY TO MOLEX INCORPORATED AND SHOULD NOT BE USED WITHOUT WRITTEN PERMISSION					