



Chipsmall Limited consists of a professional team with an average of over 10 year of expertise in the distribution of electronic components. Based in Hongkong, we have already established firm and mutual-benefit business relationships with customers from,Europe,America and south Asia,supplying obsolete and hard-to-find components to meet their specific needs.

With the principle of “Quality Parts,Customers Priority,Honest Operation,and Considerate Service”,our business mainly focus on the distribution of electronic components. Line cards we deal with include Microchip,ALPS,ROHM,Xilinx,Pulse,ON,Everlight and Freescale. Main products comprise IC,Modules,Potentiometer,IC Socket,Relay,Connector.Our parts cover such applications as commercial,industrial, and automotives areas.

We are looking forward to setting up business relationship with you and hope to provide you with the best service and solution. Let us make a better world for our industry!



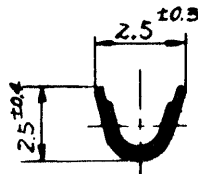
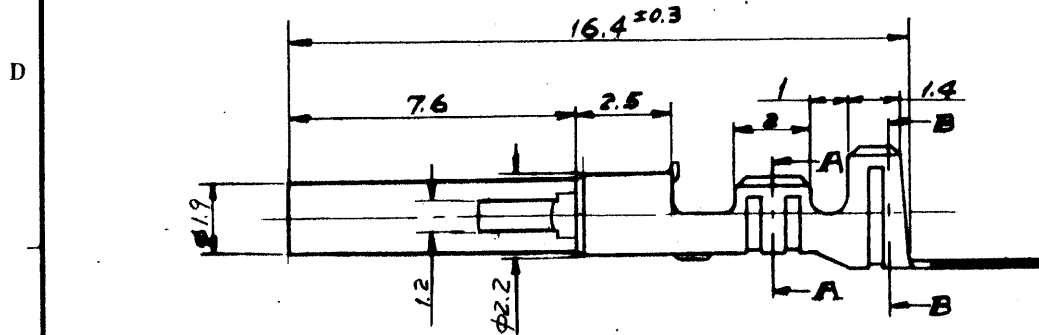
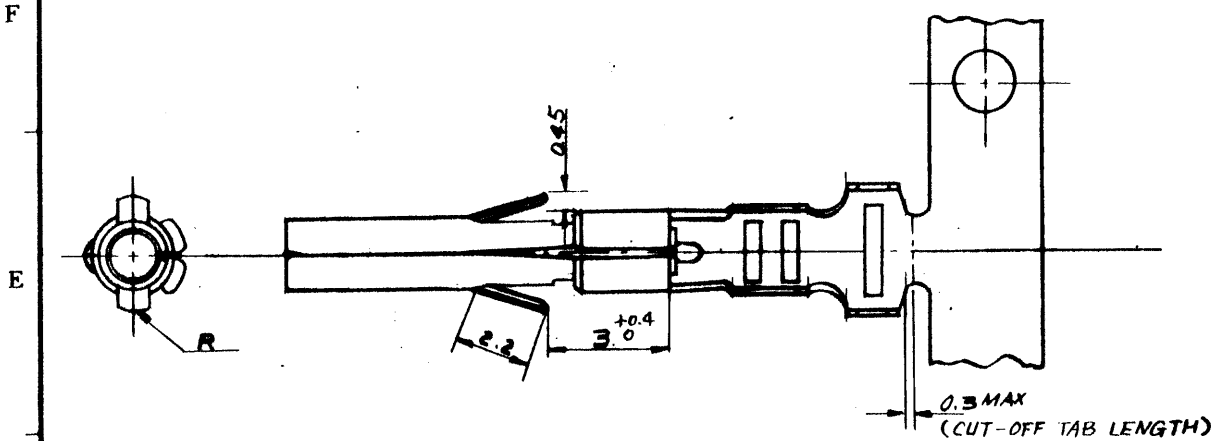
Contact us

Tel: +86-755-8981 8866 Fax: +86-755-8427 6832

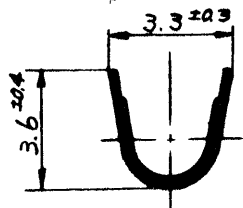
Email & Skype: info@chipsmall.com Web: www.chipsmall.com

Address: A1208, Overseas Decoration Building, #122 Zhenhua RD., Futian, Shenzhen, China





SECT. "A"-A



SECT. "B"-B

NOTE:

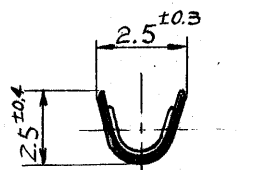
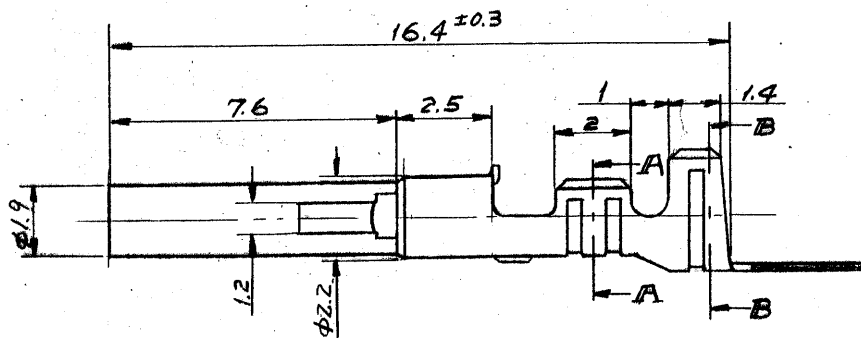
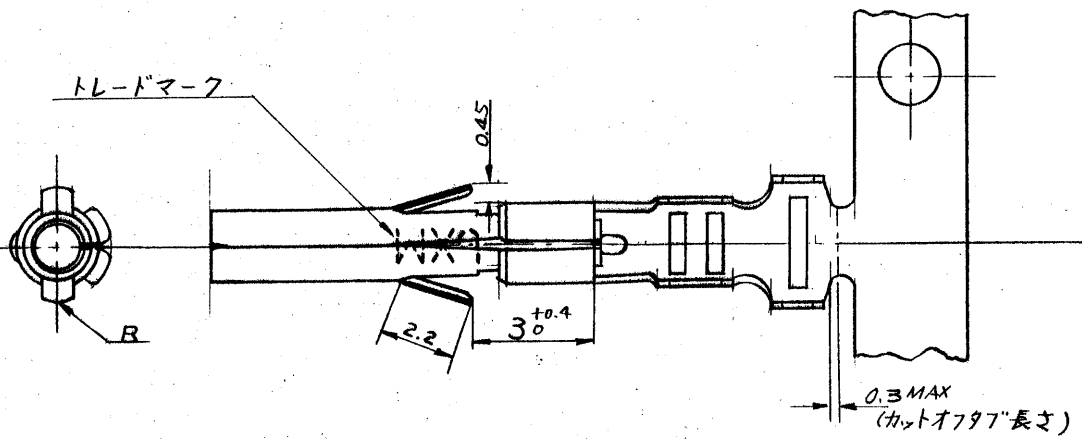
- 1. WIRE RANGE : AWG #18 ~ #24 (0.75 ~ 0.2 mm²)
- INSULATION RANGE : φ (1.3) ~ 3

GENERAL TOLERANCES	
10 UNDER	±0.2
10 OVER-30 UNDER	±0.25
30 OVER	±0.3
ANGLE	±3°

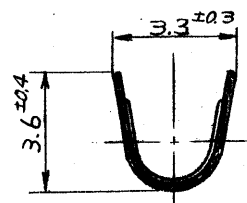
LOOSE CHAIN	GOLD PLATING	08-70-1012	5005GL
LOOSE CHAIN	PRE-TINNED	08-70-0042	TL
FORM	FINISH	08-70-0001	5005T
		EDP NO.	ENG. NO.

G	REVISED (J91011)	6/11/30	M.M.	公差 (Tolerances)	所要数 (Req)	DRWG.
F	REVISED ECN NO. 1065	1/18/79	K.M.	.000 ± 0.005 .00 → ± 0.05		DSN'D
E	REVISED PER ECN 1173	3/20/78		.0 → ± 0.1 . → ± 0.3	CHK'D	
D	REVISED PER ECN 1070	1/20/79		材料 (MAT'L)	APP'D	
C	REVISED PER ECN 912	9/1/78		BRASS, 0.2t	MOLEX-JAPAN CO., LTD.	
B ₁	Revised Stopper	9/7/78		熱処理 (H.T.)	日本モレックス株式会社	
B	REMOVED ECN NO. 748	3/10/79		HRC	No.	
A	REVISED	10/29/77		仕上げ (Finish)	SD-5005*	
0	PROPOSED	10/21/77		SEE TABLE	MINIFIT RECEPTACLE	
REV. NO.	変更内容 (Rev.)	Date	Name	Scale	名称 (Name)	
1/1R				4/1		

F
E
D
C
B
A



SECT. "A-A"



SECT. "B-B"

注)
1. 通用電線 範囲 AWG #18 - #24
0.75 ~ 0.2 mm² 被覆外径 中 (1.3) ~ φ3

一般公差	
10 未満	±0.2
10以上 30未満	±0.25
30 以上	±0.3
角度	±3°

バラ状	金メッキ	08-70-1012	5005GL
連鎖状	金メッキ	08-70-1011	↑ G
バラ状	錫メッキ	08-70-0042	↓ TL
連鎖状	錫メッキ	08-70-0001	5005T
形状	表面処理	EDP NO.	ENG. NO.

G	変更 (J91011)	89/11/30	H.H. 99/	公差 (Tolerances)	所要数 (Req)	DRWG. DSN'D N. ENOMOTO 10/21/77 CHK'D K. H. 99/
F	REVISED ECN NO. 1445	10/12/79	K.H. 89/	.000 ± 0.005 .00 → ± 0.05 .0 → ± 0.1 . → ± 0.3		
E	REVISED PER ECN 1173	7/28/79	K.H. 89/	材料 (MAT'L)	MOLEX-JAPAN CO., LTD. 日本モレックス株式会社	
D	REVISED PER ECN 1070	7/24/79	K.H. 89/	7/3 黄銅 0.2t 熱処理 (H.T.) HRe		
C	REVISED PER ECN 912	9/9/78	K.H. 89/	仕上げ (Finish)	No. SD-5005*	
B ₁	Revised Stopper REMOVED X ECN NO. 748	9/7/78	K.H. 89/	表面処理		
B		7/28/79	K.H. 89/	Scale 4/1	名称 (Name) MINIFIT RECEPTACLE	
A	REVISED	10/21/77	K.H. 89/	記号 (LTR)		
O	PROPOSED	0/21/77	K.H. 89/	変更内容 (Rev.)		