



Chipsmall Limited consists of a professional team with an average of over 10 year of expertise in the distribution of electronic components. Based in Hongkong, we have already established firm and mutual-benefit business relationships with customers from,Europe,America and south Asia,supplying obsolete and hard-to-find components to meet their specific needs.

With the principle of “Quality Parts,Customers Priority,Honest Operation,and Considerate Service”,our business mainly focus on the distribution of electronic components. Line cards we deal with include Microchip,ALPS,ROHM,Xilinx,Pulse,ON,Everlight and Freescale. Main products comprise IC,Modules,Potentiometer,IC Socket,Relay,Connector.Our parts cover such applications as commercial,industrial, and automotives areas.

We are looking forward to setting up business relationship with you and hope to provide you with the best service and solution. Let us make a better world for our industry!



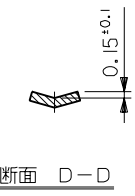
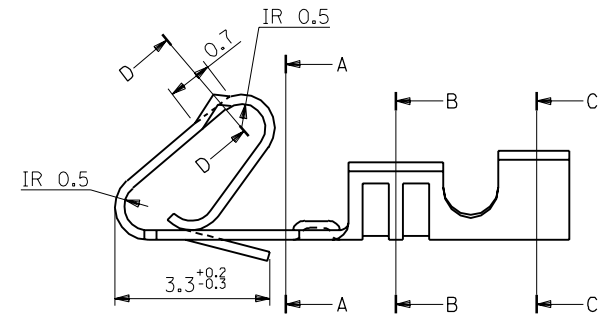
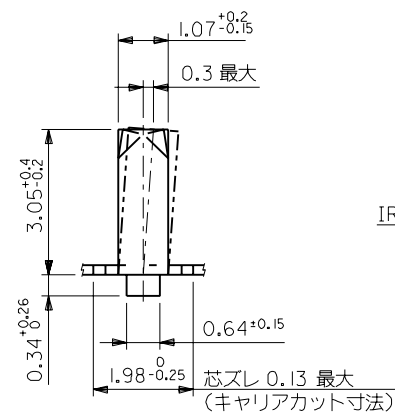
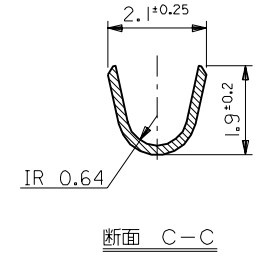
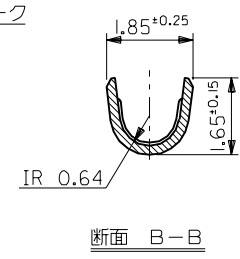
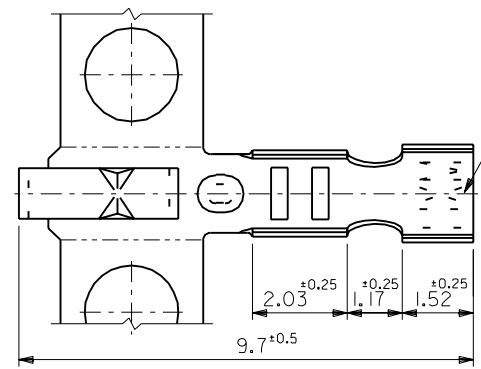
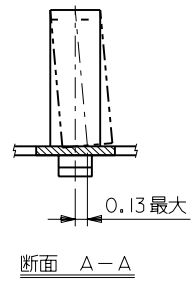
Contact us

Tel: +86-755-8981 8866 Fax: +86-755-8427 6832

Email & Skype: info@chipsmall.com Web: www.chipsmall.com

Address: A1208, Overseas Decoration Building, #122 Zhenhua RD., Futian, Shenzhen, China

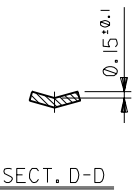
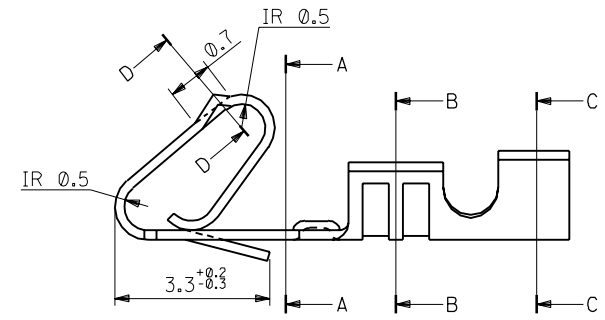
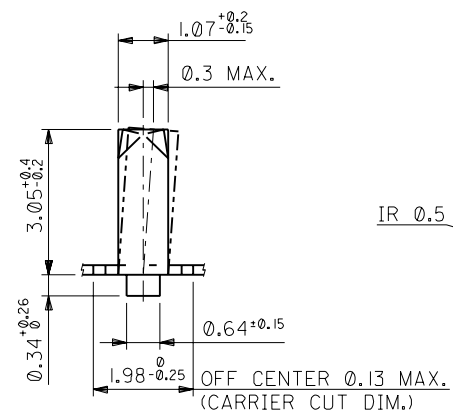
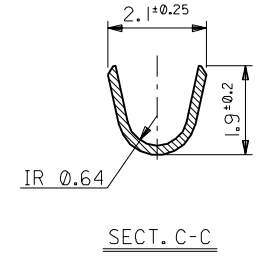
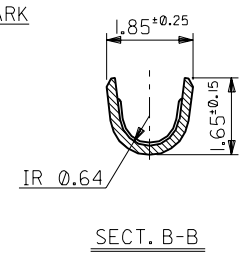
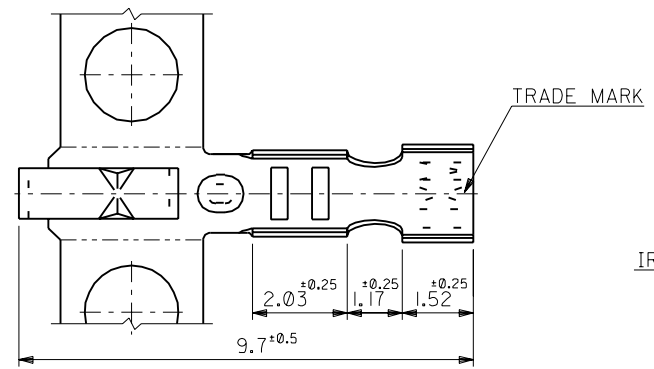
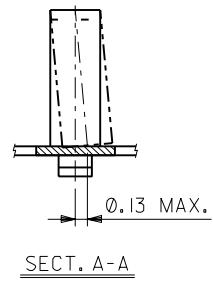




| | | | | |
|--------------------------|--------------|------------|--------------------------|---------------------|
| 錫 0.9µm以上 リフロー処理 | リン青銅 メッキ済 | バラ状 連鎖状 | 08-70-0049 08-70-0048 | 5159PBTL 5159PBT |
| 錫 0.9µm以上 銅下地 0.5µm以上 | 黄銅 メッキ済 | バラ状 連鎖状 | 08-70-0069 08-70-0064 | 5159TL 5159T |
| メッキ仕様 | 材質 | 端子形状 | EDP NO. | ENG. NO. |

| | | | | | | | | | |
|----------------------------|--|-------|--------|-------------------------|------|------|---------|-------------------------------------|---|
| 角度 ANGLE | | ±3° | | | | | | 材料 表参照 MATERIAL 表参照 板厚: 0.203 | MOLEX JAPAN CO., LTD. 日本モレックス株式会社 |
| 30以上 OVER | | +0.3 | | | | | | 仕上げ 表参照 FINISH 表参照 | |
| 10以上 30未滿 UNDER | | +0.25 | J | 変更及び再作図 (JQ0775) | S.M. | H.H. | 90/7/9 | 適用電線範囲 WIRE RANGE AWG #22-#28 | EDP NO. 08-70-00** |
| 10未滿 UNDER | | +0.2 | 記号 LTR | 変更内容 REVISION RECORD | DR. | CHK. | 日付 DATE | 被覆外径 INS. RANGE Φ (1.2)-1.7 | ENG. NO. SD-5159* |
| 一般公差 GENERAL TOLERANCES | | | | | | | | DRAWN BY 90/7/9 S.MOCHIZUKI | REV J |
| | | | | | | | | APP'D BY 91/03/26 M.ENOMOTO | TITLE 名称 MINI. KK. CRIMP RECEPTACLE |

THIS DRAWING CONTAINS INFORMATION THAT IS PROPRIETARY TO MOLEX(JAPAN) AND SHOULD NOT BE USED WITHOUT WRITTEN PERMISSION
本図面は日本モレックス(株)の所有する情報を含むもので 当社の許可なく複製を禁止する。



| | | | | |
|---|----------------------------------|-------|------------|----------|
| TIN 0.9um MIN. REFLOW TREATMENT | PHOSPHOR BRONZE PRE PLATED | LOOSE | 08-70-0049 | 5159PBTL |
| | | CHAIN | 08-70-0048 | 5159PBT |
| TIN 0.9um MIN. OVER COPPER 0.5um MIN. | BRASS PRE PLATED | LOOSE | 08-70-0069 | 5159TL |
| | | CHAIN | 08-70-0064 | 5159T |
| PLATING | MATERIAL | FORM | EDP NO. | ENG. NO. |

| | | | |
|-----------------------------|---------------|-------------------------------|---|
| 材料 MATERIAL | | SEE TABLE | moLEX MOLEX-JAPAN CO.,LTD. 日本モレックス株式会社 |
| THK : 0.203 | | | |
| 仕上げ FINISH | | SEE TABLE | EDP. NO. 08-70-00** |
| 適用電線範囲 WIRE RANGE | | AWG #22-#28 | ENG. NO. |
| 被覆外径 INS. RANGE | | $\Phi (1.2) - 1.7$ | REV J |
| DRAWN BY 90/7/9 S.MOCHIZUKI | | CHK'D BY 91/03/26 M.FUKUSHIMA | TITLE 名称 MINI. KK. CRIMP RECEPTACLE |
| APP'D BY 91/03/26 M.ENOMOTO | | 尺度 SCALE 10-1 | |
| REVISION RECORD | | | |
| 角度 ANGLE | $\pm 3^\circ$ | | |
| 30以上 OVER | ± 0.3 | | |
| 10以上 30未滿 UNDER | ± 0.25 | J | REVISED & REDRAWN (J00775) S.M. H.H. 90/7/9 |
| 10未滿 UNDER | ± 0.2 | 記号 LTR | 変更内容 REVISION RECORD DR. CHK. 日付 DATE |
| 一般公差 GENERAL TOLERANCES | | REVISE ONLY ON CAD SYSTEM | |

THIS DRAWING CONTAINS INFORMATION THAT IS PROPRIETARY TO MOLEX(JAPAN) AND SHOULD NOT BE USED WITHOUT WRITTEN PERMISSION
 本図面は日本モレックス(株)の所有する情報を含むもので 当社の許可なく複製を禁止する。