



Chipsmall Limited consists of a professional team with an average of over 10 year of expertise in the distribution of electronic components. Based in Hongkong, we have already established firm and mutual-benefit business relationships with customers from,Europe,America and south Asia,supplying obsolete and hard-to-find components to meet their specific needs.

With the principle of “Quality Parts,Customers Priority,Honest Operation,and Considerate Service”,our business mainly focus on the distribution of electronic components. Line cards we deal with include Microchip,ALPS,ROHM,Xilinx,Pulse,ON,Everlight and Freescale. Main products comprise IC,Modules,Potentiometer,IC Socket,Relay,Connector.Our parts cover such applications as commercial,industrial, and automotives areas.

We are looking forward to setting up business relationship with you and hope to provide you with the best service and solution. Let us make a better world for our industry!



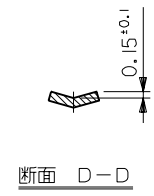
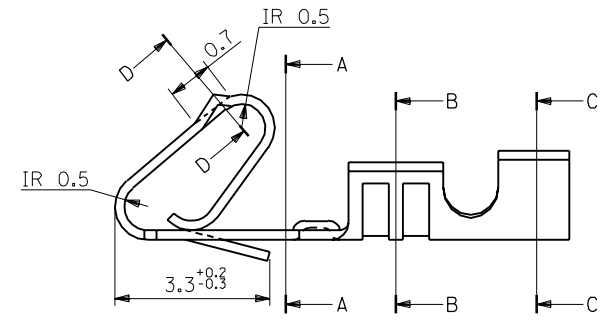
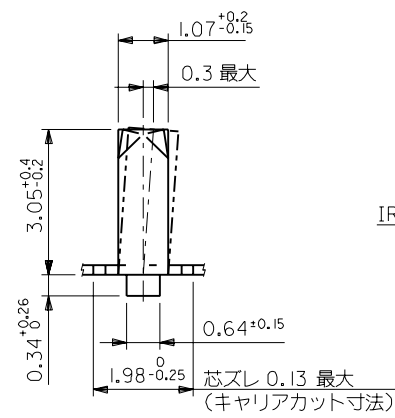
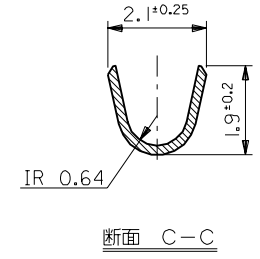
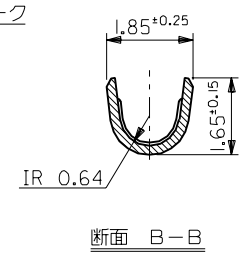
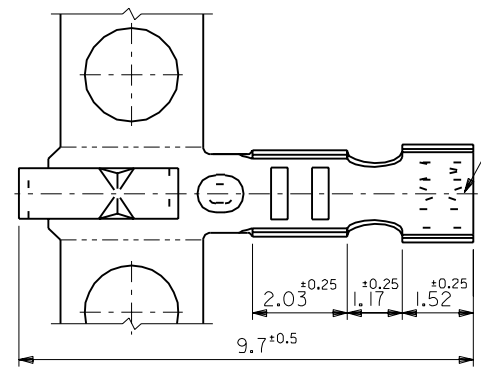
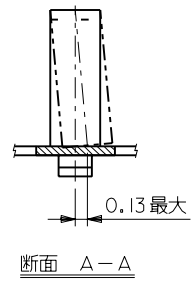
## Contact us

Tel: +86-755-8981 8866 Fax: +86-755-8427 6832

Email & Skype: info@chipsmall.com Web: www.chipsmall.com

Address: A1208, Overseas Decoration Building, #122 Zhenhua RD., Futian, Shenzhen, China

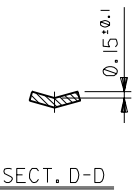
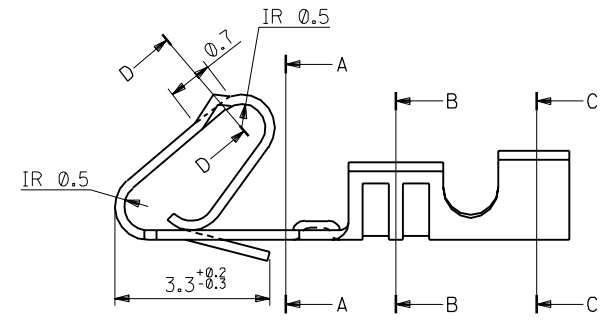
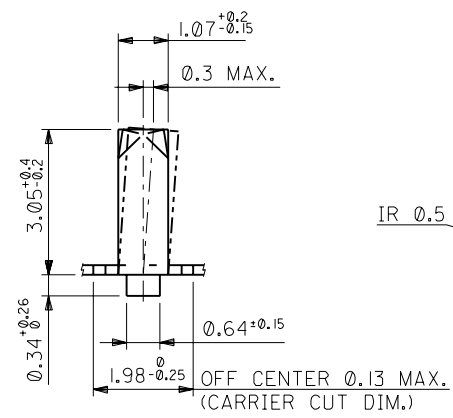
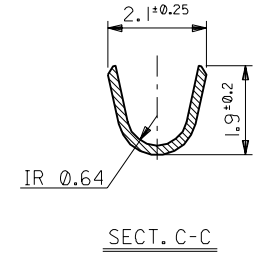
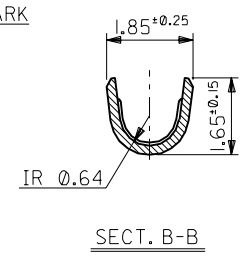
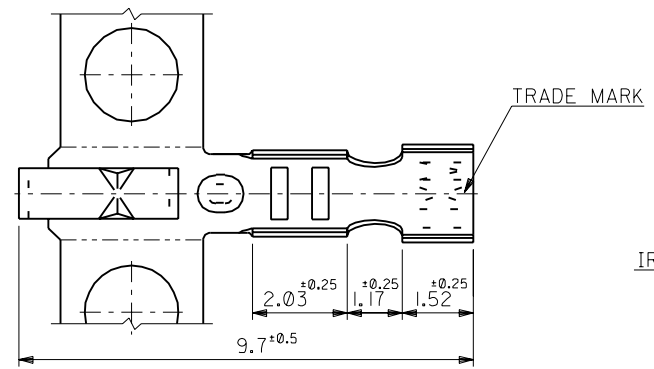
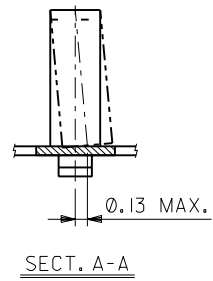




錫 0.9µm以上 リフロー処理	リン青銅 メッキ済	バラ状 連鎖状	08-70-0049 08-70-0048	5159PBTL 5159PBT
錫 0.9µm以上 銅下地 0.5µm以上	黄銅 メッキ済	バラ状 連鎖状	08-70-0069 08-70-0064	5159TL 5159T
メッキ仕様	材質	端子形状	EDP NO.	ENG. NO.

角度 ANGLE		±3°						材料 表参照 MATERIAL 表参照 板厚: 0.203	MOLEX JAPAN CO., LTD. 日本モレックス株式会社
仕上げ FINISH								EDP NO. 08-70-00**	
適用電線範囲 WIRE RANGE								適用電線範囲 WIRE RANGE AWG #22-#28	ENG. NO.
30以上 OVER		+0.3						被覆外径 INS. RANGE Φ (1.2)-1.7	REV J
10以上 30未満 UNDER		+0.25	J	変更及び再作図 (JQ0775)	S.M.	H.H.	90/7/9	DRAWN BY 90/7/9 S.MOCHIZUKI	TITLE 名称 MINI. KK. CRIMP RECEPTACLE
10未満 UNDER		+0.2	記号 LTR	変更内容 REVISION RECORD	DR. CHK.	日付 DATE		CHK'D BY 91/03/26 M.FUKUSHIMA	
一般公差 GENERAL TOLERANCES			REVISE ONLY ON CAD SYSTEM					APP'D BY 91/03/26 M.ENOMOTO	尺度 SCALE 10-1

THIS DRAWING CONTAINS INFORMATION THAT IS PROPRIETARY TO MOLEX(JAPAN) AND SHOULD NOT BE USED WITHOUT WRITTEN PERMISSION  
本図面は日本モレックス(株)の所有する情報を含むもので 当社の許可なく複製を禁止する。



TIN 0.9um MIN. REFLOW TREATMENT	PHOSPHOR BRONZE PRE PLATED	LOOSE	08-70-0049	5159PBTL
		CHAIN	08-70-0048	5159PBT
TIN 0.9um MIN. OVER COPPER 0.5um MIN.	BRASS PRE PLATED	LOOSE	08-70-0069	5159TL
		CHAIN	08-70-0064	5159T
PLATING	MATERIAL	FORM	EDP NO.	ENG. NO.

材料 MATERIAL		SEE TABLE	MOLEX MOLEX-JAPAN CO.,LTD. 日本モレックス株式会社
THK : 0.203			
仕上げ FINISH		SEE TABLE	EDP. NO. 08-70-00**
適用電線範囲 WIRE RANGE		AWG #22-#28	ENG. NO.
被覆外径 INS. RANGE		$\Phi (1.2) - 1.7$	REV J
DRAWN BY 90/7/9 S.MOCHIZUKI		CHK'D BY 91/03/26 M.FUKUSHIMA	TITLE 名称 MINI. KK. CRIMP RECEPTACLE
APP'D BY 91/03/26 M.ENOMOTO		尺度 SCALE 10-1	
角度 ANGLE	$\pm 3^\circ$		
30以上 OVER	$\pm 0.3$		
10以上 30未滿 UNDER	$\pm 0.25$	J	REVISED & REDRAWN (J00775)
10未滿 UNDER	$\pm 0.2$	記号 LTR	変更内容 REVISION RECORD
一般公差 GENERAL TOLERANCES		REVISE ONLY ON CAD SYSTEM	

THIS DRAWING CONTAINS INFORMATION THAT IS PROPRIETARY TO MOLEX(JAPAN) AND SHOULD NOT BE USED WITHOUT WRITTEN PERMISSION  
 本図面は日本モレックス (株) の所有する情報を含むもので 当社の許可なく複製を禁止する。