



Chipsmall Limited consists of a professional team with an average of over 10 year of expertise in the distribution of electronic components. Based in Hongkong, we have already established firm and mutual-benefit business relationships with customers from,Europe,America and south Asia,supplying obsolete and hard-to-find components to meet their specific needs.

With the principle of "Quality Parts,Customers Priority,Honest Operation,and Considerate Service",our business mainly focus on the distribution of electronic components. Line cards we deal with include Microchip,ALPS,ROHM,Xilinx,Pulse,ON,Everlight and Freescale. Main products comprise IC,Modules,Potentiometer,IC Socket,Relay,Connector.Our parts cover such applications as commercial,industrial, and automotives areas.

We are looking forward to setting up business relationship with you and hope to provide you with the best service and solution. Let us make a better world for our industry!



Contact us

Tel: +86-755-8981 8866 Fax: +86-755-8427 6832

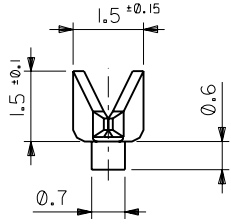
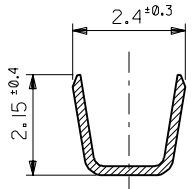
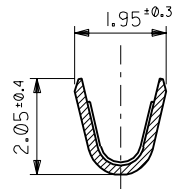
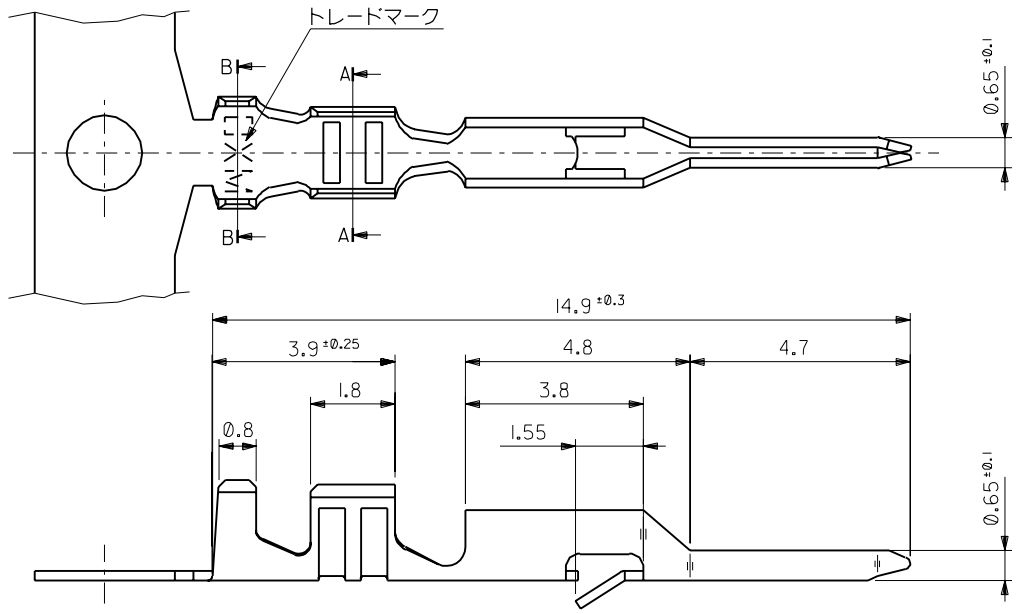
Email & Skype: info@chipsmall.com Web: www.chipsmall.com

Address: A1208, Overseas Decoration Building, #122 Zhenhua RD., Futian, Shenzhen, China



EDP NO. 08-70-010*
 ENG. NO. SD-5241*

MM DIMENSIONS IN METRIC DO NOT SCALE DRAWING



- 注記
 1. 適合ハウジング: 5240 & 51012 シリーズ
 2. 嵌合相手ターミナル: 5103*

錫メッキ済黄銅	08-70-0103	524ITL	バラ状
錫メッキ済黄銅	08-70-0102	524IT	連鎖状
材料	EDP NO.	ENG. NO.	端子形状

材料 MATERIAL		表参照 (t0.203)		MOLEX JAPAN CO., LTD. 日本モレックス株式会社	
仕上げ Sn: 0.9UMIN. FINISH Cu: 0.5UMIN.		EDP NO. 08-70-010*		REV D	
適用電線範囲 AWG #22~28 WIRE RANGE 0.33~0.08mm ²		ENG. NO. SD-5241*		TITLE 名称 MINI SPOX CRIMP PIN	
被覆外径 $\phi 1.15 \sim \phi 1.9$		DRAWN BY K.TOJO '90/12/25 M.H.KUSHIMA		CHK'D BY '91/02/27	
INS. RANGE		APP'D BY '91/02/27 M.ENOMOTO		尺度 SCALE 10 - 1	
角度 ANGLE $\pm 3^\circ$		REVISION RECORD		REVISION RECORD	
30以上 OVER ± 0.3		D 再作図及び変更 (J1000)11		DATE '91/1/1	
10以上 30未満 UNDER ± 0.25		LTR 変更内容		DR. CHK. DATE	
10未満 UNDER ± 0.2		記号		DATE	
一般公差 GENERAL TOLERANCES		REVISE ONLY ON CAD SYSTEM		DATE	

THIS DRAWING CONTAINS INFORMATION THAT IS PROPRIETARY TO MOLEX(JAPAN) AND SHOULD NOT BE USED WITHOUT WRITTEN PERMISSION
 本図面は日本モレックス(株)の所有する情報を含むもので 当社の許可なく複製を禁止する。 MXJ-8