



Chipsmall Limited consists of a professional team with an average of over 10 year of expertise in the distribution of electronic components. Based in Hongkong, we have already established firm and mutual-benefit business relationships with customers from,Europe,America and south Asia,supplying obsolete and hard-to-find components to meet their specific needs.

With the principle of “Quality Parts,Customers Priority,Honest Operation,and Considerate Service”,our business mainly focus on the distribution of electronic components. Line cards we deal with include Microchip,ALPS,ROHM,Xilinx,Pulse,ON,Everlight and Freescale. Main products comprise IC,Modules,Potentiometer,IC Socket,Relay,Connector.Our parts cover such applications as commercial,industrial, and automotives areas.

We are looking forward to setting up business relationship with you and hope to provide you with the best service and solution. Let us make a better world for our industry!



Contact us

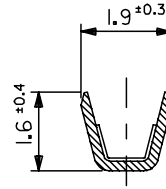
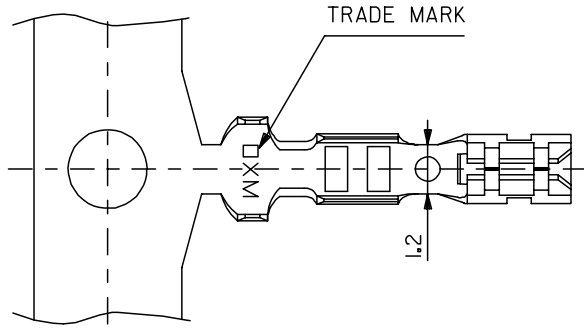
Tel: +86-755-8981 8866 Fax: +86-755-8427 6832

Email & Skype: info@chipsmall.com Web: www.chipsmall.com

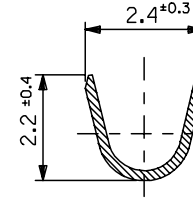
Address: A1208, Overseas Decoration Building, #122 Zhenhua RD., Futian, Shenzhen, China



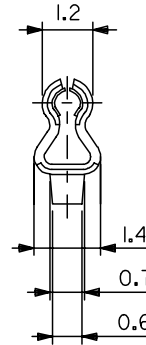
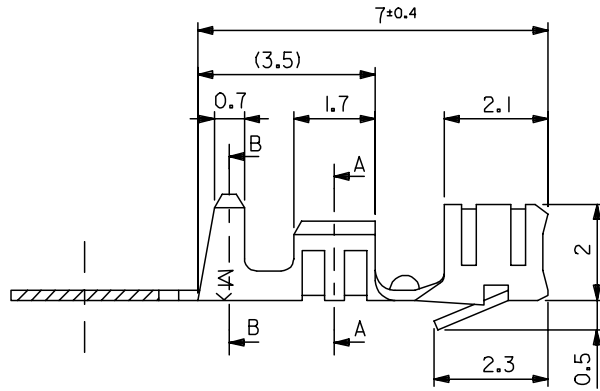
10 9 8 7 6 5 4 3 2 1



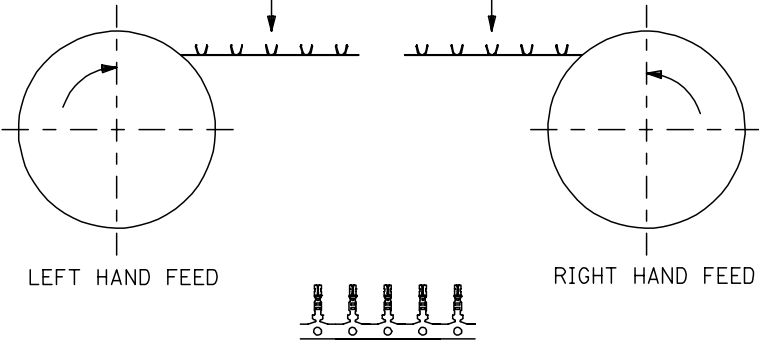
SECT. A-A



SECT. B-B

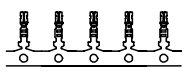


- NOTE
- 1.MATERIAL : PHOSPHOR BRONZE
 - 2.FINISH:TIN PLATING UNDER NICKEL PLATING WITH LUBRICANT TREATMENT
 - 3.SUITABLE HOUSING : 5264SERIES
 - 4.WIRE RENG# AWG #22-28(0.33 - 0.08mm²)
 - 5.INSULATION RANGE:∅ 1.15 - ∅ 1.9



LEFT HAND FEED

RIGHT HAND FEED



VIEW C

SEE NOTE 2.(BRIGHT)	LEFT HAND	08-70-1048	5263PBTB	CHAIN
SEE NOTE 2.	LEFT HAND	08-70-1047	5263PBTB	CHAIN
FINISH	FEED TYPE	EDP NO.	ENG. NO.	FORM

REVISED EC NO: J2007-0263 DRWN: AUYAGI 2006/08/01 CHKDK: TOYODA 2006/08/02 APPR: NUKITA 2006/08/04	GENERAL TOLERANCES (UNLESS SPECIFIED)		DIMENSION STYLE MM ONLY	SCALE 10:1	DESIGN UNITS METRIC	THIRD ANGLE PROJECTION
	10 UNDER	± 0.2	DRAWN BY K. TOYODA	DATE '05/07/08	TITLE 2.5 LOW PROFILE CRIMP RECEPTACLE WITH LUBRICANT	
	10 OVER 30 UNDER	± 0.25	CHECKED BY N. UKITA	DATE '05/07/08	MOLEX INCORPORATED	
	30 OVER	± 0.3	APPROVED BY N. UKITA	DATE '05/07/08	SHEET NO. 1 OF 1	
ANGULAR ± 3 °		DRAFT WHERE APPLICABLE MUST REMAIN WITHIN DIMENSIONS		MATERIAL NO. SEE CHART	DOCUMENT NO. SD-5263-001	
THIS DRAWING CONTAINS INFORMATION THAT IS PROPRIETARY TO MOLEX INCORPORATED AND SHOULD NOT BE USED WITHOUT WRITTEN PERMISSION						