



Chipsmall Limited consists of a professional team with an average of over 10 year of expertise in the distribution of electronic components. Based in Hongkong, we have already established firm and mutual-benefit business relationships with customers from,Europe,America and south Asia,supplying obsolete and hard-to-find components to meet their specific needs.

With the principle of “Quality Parts,Customers Priority,Honest Operation,and Considerate Service”,our business mainly focus on the distribution of electronic components. Line cards we deal with include Microchip,ALPS,ROHM,Xilinx,Pulse,ON,Everlight and Freescale. Main products comprise IC,Modules,Potentiometer,IC Socket,Relay,Connector.Our parts cover such applications as commercial,industrial, and automotives areas.

We are looking forward to setting up business relationship with you and hope to provide you with the best service and solution. Let us make a better world for our industry!



Contact us

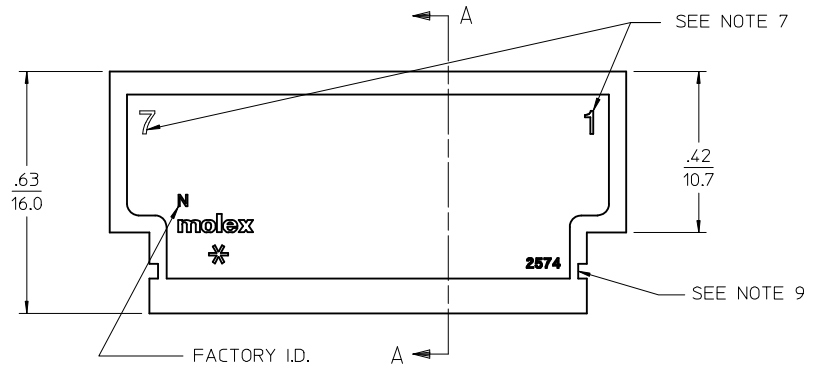
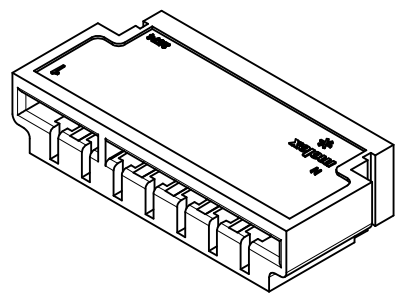
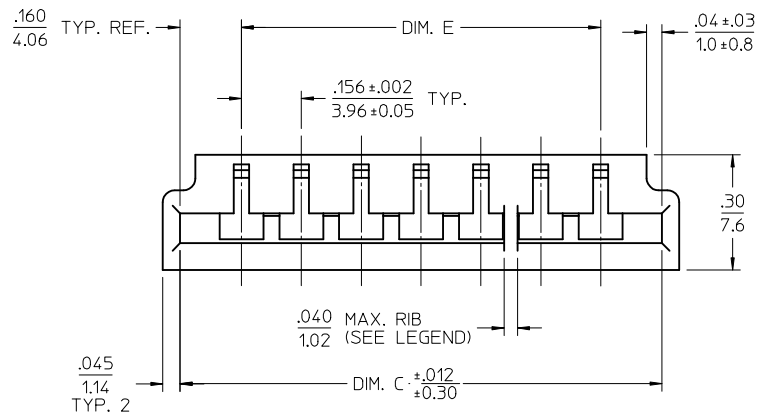
Tel: +86-755-8981 8866 Fax: +86-755-8427 6832

Email & Skype: info@chipsmall.com Web: www.chipsmall.com

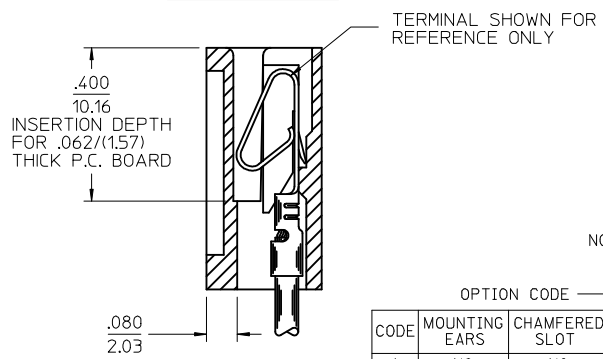
Address: A1208, Overseas Decoration Building, #122 Zhenhua RD., Futian, Shenzhen, China



- NOTES:
1. MATERIAL: NYLON 6/6, 94V-2.
 2. FINISH: SEE CRIMP TERMINAL DRAWING.
 3. THIS PRODUCT CONFORMS TO PRODUCT SPECIFICATION PS-08-50.
 4. PACKAGING: BULK PER PK-2574-001
 5. CONNECTOR TO BE USED WITH CRIMP TERMINALS:
 - 2478: 18-24 GAGE WIRE, .110/(2.79) MAX. INSULATION DIAMETER.
 - 2578: 22-26 GAGE WIRE, .065/(1.65) MAX. INSULATION DIAMETER.
 - 2878: 18-20 GAGE WIRE, .110/(2.79) MAX. INSULATION DIAMETER.
 6. DIMENSIONS GIVEN ACROSS CENTERLINES ARE SYMMETRICAL ABOUT THOSE CENTERLINES WITHIN ONE HALF THE TOTAL TOLERANCE.
 7. CIRCUIT 1 I.D. PRESENT ON ALL PARTS. LAST CIRCUIT I.D. MAY OR MAY NOT BE PRESENT.
 8. PART CONFORMS TO CLASS B REQUIREMENTS OF COSMETIC SPECIFICATION PS-45499-002
 9. SLOTS MAY OR MAY NOT BE PRESENT ON PART.



SECTION A-A



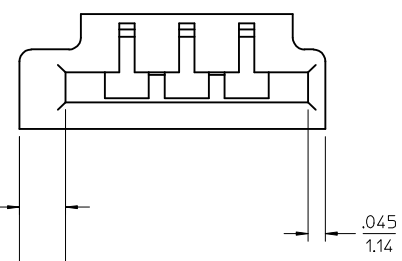
2574 - N * * *
 NO. OF CIRCUITS
 COLOR CODE
 BLANK=NATURAL
 BK=BLACK

OPTION CODE

CODE	MOUNTING EARS	CHAMFERED SLOT	PCB THK	MOUNTING HOLES
A	NO	NO	.062	NO
B	YES	NO	.062	NO
C	NO	YES	.062	NO
D	YES	YES	.062	NO
E	NO	NO	.032	NO
F	YES	NO	.062	YES

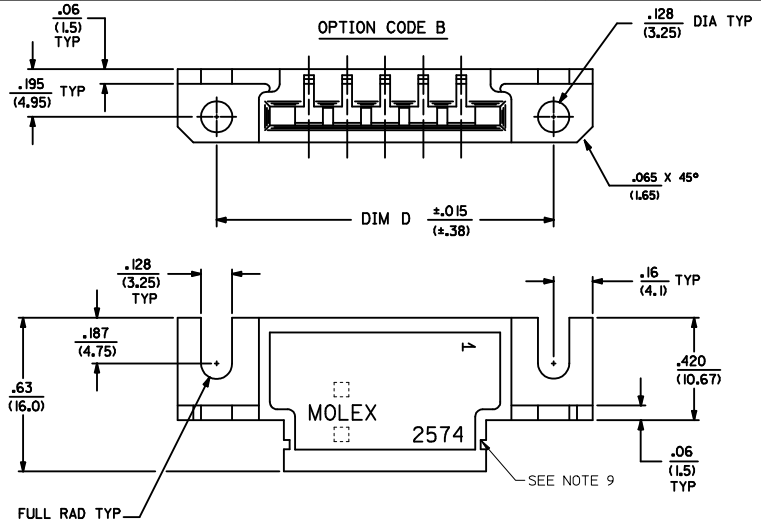
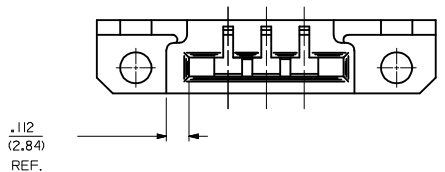
- RIB LOCATION CODE (BETWEEN CKTS)
- 1 = NONE
 - 2 = 2-3
 - 3 = 3-4
 - 4 = 5-6
 - 5 = 3-4, 5-6
 - 6 = 4-5, 7-8
 - 7 = 5-6, 8-9
 - 8 = 5-6, 10-11
 - 9 = 4-5, 7-8, 11-12
 - 10 = 5-6, 10-11, 14-15
 - 11 = 5-6, 10-11, 15-16
 - 12 = 5-6, 11-12, 16-17
 - 13 = 5-6, 11-12, 17-18
 - 14 = 4-5, 7-8, 11-12, 15-16
 - 15 = 4-5, 8-9, 12-13, 16-17, 20-21
 - 16 = 5-6, 11-12, 18-19

3 CIRCUIT ONLY



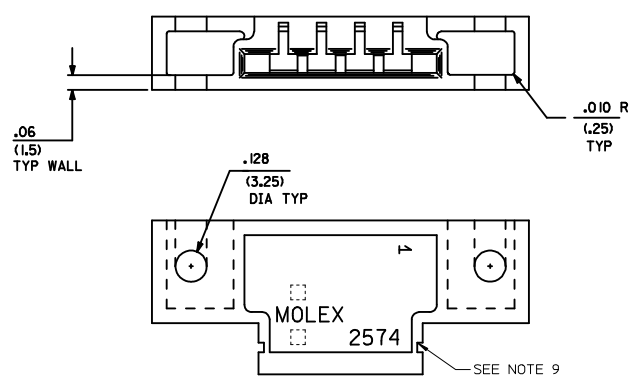
<p>NOTE 7</p> <p>EC NO: UCP2015-0556 2014/08/07 DRWN:JDFX 2014/08/08 CHKD:MKIPPER 2014/08/29 APPR:FSMITH</p>	<p>QUALITY SYMBOLS</p> <p>▽=0 ▽=0 ▽=0</p>	<p>GENERAL TOLERANCES (UNLESS SPECIFIED)</p> <table border="1"> <thead> <tr> <th></th> <th>mm</th> <th>INCH</th> </tr> </thead> <tbody> <tr> <td>4 PLACES</td> <td>± .010</td> <td>± .004</td> </tr> <tr> <td>3 PLACES</td> <td>± .015</td> <td>± .005</td> </tr> <tr> <td>2 PLACES</td> <td>± 0.25</td> <td>± .010</td> </tr> <tr> <td>1 PLACE</td> <td>± 0.36</td> <td>± .014</td> </tr> <tr> <td>0 PLACE</td> <td>± .010</td> <td>± .004</td> </tr> </tbody> </table>		mm	INCH	4 PLACES	± .010	± .004	3 PLACES	± .015	± .005	2 PLACES	± 0.25	± .010	1 PLACE	± 0.36	± .014	0 PLACE	± .010	± .004	<p>DIMENSION STYLE</p> <p>IN/MM</p> <p>DRAWN BY PEREZ-ARGUET DATE 1988/03/02</p> <p>CHECKED BY PATEL DATE 1988/03/02</p> <p>APPROVED BY FSMITH DATE 2012/08/13</p>	<p>SCALE 4:1</p> <p>DESIGN UNITS INCH</p> <p>THIRD ANGLE PROJECTION</p>	<p>EDGE CARD CONNECTOR</p> <p>.156/(3.96) CENTERS</p> <p>CRIMP TYPE-2574 SERIES</p> <p>molex</p>	<p>SHEET NO. 1 OF 3</p>
		mm	INCH																					
	4 PLACES	± .010	± .004																					
	3 PLACES	± .015	± .005																					
2 PLACES	± 0.25	± .010																						
1 PLACE	± 0.36	± .014																						
0 PLACE	± .010	± .004																						
<p>ANGULAR ± 3°</p>	<p>MATERIAL NO.</p> <p>SEE CHART</p>	<p>DOCUMENT NO.</p> <p>SD-2574</p>	<p>DRAFT WHERE APPLICABLE MUST REMAIN WITHIN DIMENSIONS</p>			<p>THIS DRAWING CONTAINS INFORMATION THAT IS PROPRIETARY TO MOLEX INCORPORATED AND SHOULD NOT BE USED WITHOUT WRITTEN PERMISSION</p>																		
<p>REV D4</p>	<p>SIZE C</p>	<p>INCORPORATED AND SHOULD NOT BE USED WITHOUT WRITTEN PERMISSION</p>																						
<p>THIS DRAWING CONTAINS INFORMATION THAT IS PROPRIETARY TO MOLEX INCORPORATED AND SHOULD NOT BE USED WITHOUT WRITTEN PERMISSION</p>																								

3 CIRCUIT ONLY



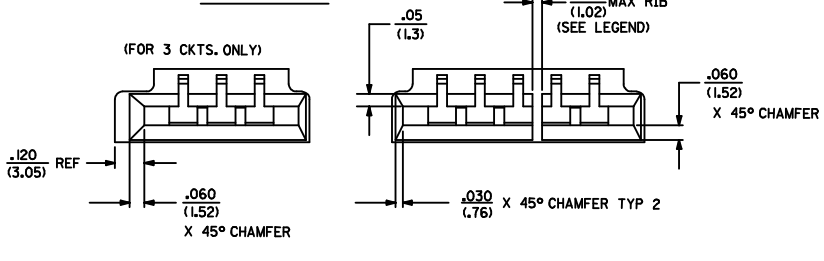
OPTION CODE F

SAME AS OPTION B EXCEPT AS SHOWN



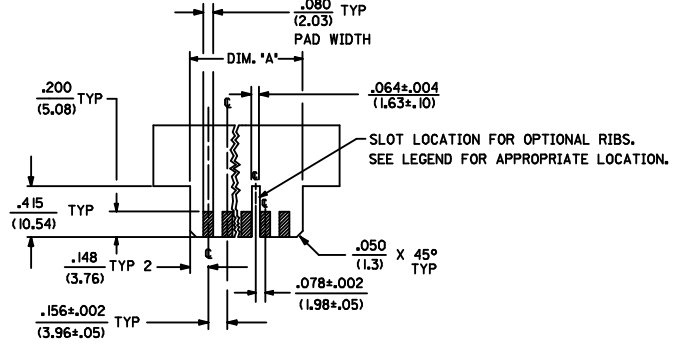
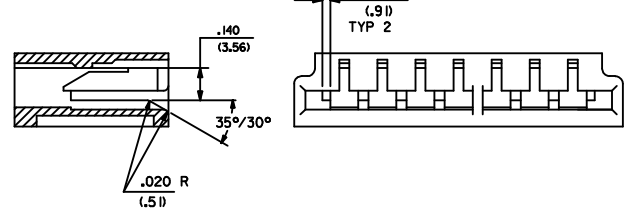
NO. OF CKT'S	DIM. C	DIM. D	DIM. E	DIM. A
3	.632 (16.05)	1.143 (29.03)	.312±.002 (7.92±.05)	.618 (15.70)
4	.788 (20.02)	1.224 (31.09)	.468±.002 (11.89±.05)	.774 (19.66)
5	.944 (23.98)	1.380 (35.05)	.624±.003 (15.85±.08)	.922 (23.42)
6	1.100 (27.94)	1.536 (39.01)	.780±.003 (19.81±.08)	1.078 (27.38)
7	1.256 (31.90)	1.692 (42.98)	.936±.003 (23.77±.08)	1.232 (31.29)
8	1.412 (35.86)	1.848 (46.94)	1.092±.004 (27.74±.10)	1.388 (35.26)
9	1.568 (39.83)	2.004 (50.90)	1.248±.004 (31.70±.10)	1.544 (39.22)
10	1.724 (43.79)	2.160 (54.86)	1.404±.006 (35.66±.15)	1.700 (43.18)
11	1.880 (47.75)	2.316 (58.83)	1.560±.006 (39.62±.15)	1.854 (47.09)
12	2.036 (51.71)	2.472 (62.79)	1.716±.006 (43.59±.15)	2.010 (51.05)
13	2.192 (55.68)	2.628 (66.75)	1.872±.006 (47.55±.15)	2.164 (54.97)
14	2.348 (59.64)	2.784 (70.71)	2.028±.007 (51.51±.18)	2.318 (58.88)
15	2.504 (63.60)	2.940 (74.68)	2.184±.007 (55.47±.18)	2.474 (62.84)
16	2.660 (67.56)	3.096 (78.64)	2.340±.007 (59.44±.18)	2.631 (66.83)
17	2.816 (71.53)	3.252 (82.60)	2.496±.008 (63.40±.20)	2.784 (70.71)
18	2.972 (75.49)	3.408 (86.56)	2.652±.009 (67.36±.23)	2.954 (75.03)
19	3.128 (79.45)	3.564 (90.53)	2.808±.009 (71.32±.23)	3.095 (78.61)
20	3.284 (83.41)	3.720 (94.49)	2.964±.009 (75.29±.23)	3.251 (82.58)
21	3.440 (87.38)	3.876 (98.45)	3.120±.010 (79.25±.25)	3.407 (86.54)
22	3.596 (91.34)	4.032 (102.41)	3.276±.011 (83.21±.25)	3.562 (90.47)
23	3.752 (95.30)	4.188 (106.38)	3.432±.011 (87.17±.28)	3.716 (94.39)
24	3.908 (99.26)	4.344 (110.34)	3.588±.012 (91.14±.30)	3.871 (98.32)

OPTION CODE C



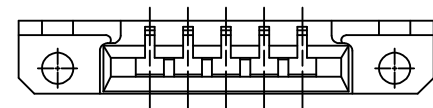
OPTION CODE E

FOR .032 THK PCB



OPTION CODE D

(SEE OPTIONS B & C FOR DIMENSIONS)



SEE SHEET 1 EC NO: UCP2015-0556 DRAWN: JDOX 2014/08/07 CHKD: HKP 2014/08/08 APPR: FSMTH 2014/08/29 D4	QUALITY SYMBOLS ∇=0 ∇=0 ∇=0	GENERAL TOLERANCES (UNLESS SPECIFIED) mm INCH 4 PLACES ± --- ± --- 3 PLACES ± --- ± .010 2 PLACES ± 0.25 ± .015 1 PLACE ± 0.36 ± --- 0 PLACE ± --- ± ---	DIMENSION STYLE IN/MM DRAWN BY PEREZ-ARGUET 1988/03/02 CHECKED BY PATEL 1988/03/02 APPROVED BY FSMTH 2012/08/13 DATE	SCALE --- DESIGN UNITS INCH TITLE EDGE CARD CONNECTOR .156/(3.96) CENTERS CRIMP TYPE-2574 SERIES molex	SHEET NO. 2 OF 3 DOCUMENT NO. SD-2574
		ANGULAR ± 3° DRAFT WHERE APPLICABLE MUST REMAIN WITHIN DIMENSIONS	MATERIAL NO. SEE CHART SIZE C	THIS DRAWING CONTAINS INFORMATION THAT IS PROPRIETARY TO MOLEX INCORPORATED AND SHOULD NOT BE USED WITHOUT WRITTEN PERMISSION	

13		12		11		10		9		8		7		6		5		4		3		2		1					
2574-NA*				2574-NB*				2574-NC*				2574-ND*				2574-NE*				2574-NF*									
PART NO.		ENG. NO. (SUFFIX ONLY)		PART NO.		ENG. NO. (SUFFIX ONLY)		PART NO.		ENG. NO. (SUFFIX ONLY)		PART NO.		ENG. NO. (SUFFIX ONLY)		PART NO.		ENG. NO. (SUFFIX ONLY)		PART NO.		ENG. NO. (SUFFIX ONLY)		PART NO.		ENG. NO. (SUFFIX ONLY)			
09-01-6031	-3A1	09-01-7031	-3B1	09-01-6038	-3C1	09-01-6038	-3C1													09-01-7065	-6F1-BK	09-01-7087	-8F1-BK						
09-01-6041	-4A1	09-01-7041	-4B1	09-01-6048	-04C1																								
09-01-6051	-5A1	09-01-7051	-5B1	09-01-6088	-08C1																								
09-01-6064	-6A1	09-01-7064	-6B1																										
09-01-6081	-8A1D	09-01-7081	-8B1																										
		09-01-7069	-6B1D																										
09-01-6055	-5A2																												
09-01-6061	-6A2	09-01-7061	-6B2																										
09-01-6085	-8A2	09-01-7085	-8B2																										
09-01-6095	-9A2	09-01-7095	-9B2																										
09-01-6071	-7A3	09-01-7071	-7B3																										
09-01-6086	-8A3	09-01-7086	-8B3																										
09-01-6083	-8A4	09-01-7083	-8B4																										
09-01-6094	-9A4	09-01-7094	-9B4																										
09-01-6091	-9A5	09-01-7091	-9B5																										
09-01-6101	-10A6	09-01-7101	-10B6																										
09-01-6121	-12A7	09-01-7121	-12B7																										
09-01-6129	-12A4	09-01-7129	-12B4																										
09-01-6181	-18A8	09-01-7181	-18B8																										
09-01-6151	-15A9	09-01-7151	-15B9																										
09-01-6161	-16A9	09-01-7161	-16B9																										
09-01-6171	-17A10	09-01-7171	-17B10																										
09-01-6211	-21A11	09-01-7211	-21B11																										
09-01-6224	-22A12	09-01-7224	-22B12																										
09-01-6221	-22A13	09-01-7221	-22B13																										
09-01-6191	-19A14	09-01-7191	-19B14																										
09-01-6241	-24A15	09-01-7241	-24B15																										
09-01-7222	-22A16		-6B1-BK																										

SEE SHEET 1 EC NO: UCP2015-0556 DRWN:JDFX 2014/08/07 CHKD:HKIPPER 2014/08/08 APPR:FSMITH 2014/08/29	QUALITY SYMBOLS 	GENERAL TOLERANCES (UNLESS SPECIFIED)		DIMENSION STYLE IN/MM		SCALE ---	DESIGN UNITS INCH	THIRD ANGLE PROJECTION
		4 PLACES ± --- ± ---	3 PLACES ± --- ± .010	DRAWN BY PEREZ-ARGUET	DATE 1988/03/02	TITLE EDGE CARD CONNECTOR .156/(3.96) CENTERS CRIMP TYPE-2574 SERIES		
		2 PLACES ± 0.25 ± .015	1 PLACE ± 0.36 ± ---	CHECKED BY PATEL	DATE 1988/03/02			
		0 PLACE ± --- ± ---	ANGULAR ± 3°	APPROVED BY FSMITH	DATE 2012/08/13			DOCUMENT NO. SD-2574
DRAFT WHERE APPLICABLE MUST REMAIN WITHIN DIMENSIONS		SIZE C		THIS DRAWING CONTAINS INFORMATION THAT IS PROPRIETARY TO MOLEX INCORPORATED AND SHOULD NOT BE USED WITHOUT WRITTEN PERMISSION				