



Chipsmall Limited consists of a professional team with an average of over 10 year of expertise in the distribution of electronic components. Based in Hongkong, we have already established firm and mutual-benefit business relationships with customers from,Europe,America and south Asia,supplying obsolete and hard-to-find components to meet their specific needs.

With the principle of "Quality Parts,Customers Priority,Honest Operation,and Considerate Service",our business mainly focus on the distribution of electronic components. Line cards we deal with include Microchip,ALPS,ROHM,Xilinx,Pulse,ON,Everlight and Freescale. Main products comprise IC,Modules,Potentiometer,IC Socket,Relay,Connector.Our parts cover such applications as commercial,industrial, and automotives areas.

We are looking forward to setting up business relationship with you and hope to provide you with the best service and solution. Let us make a better world for our industry!



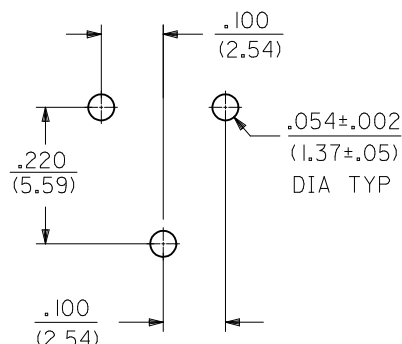
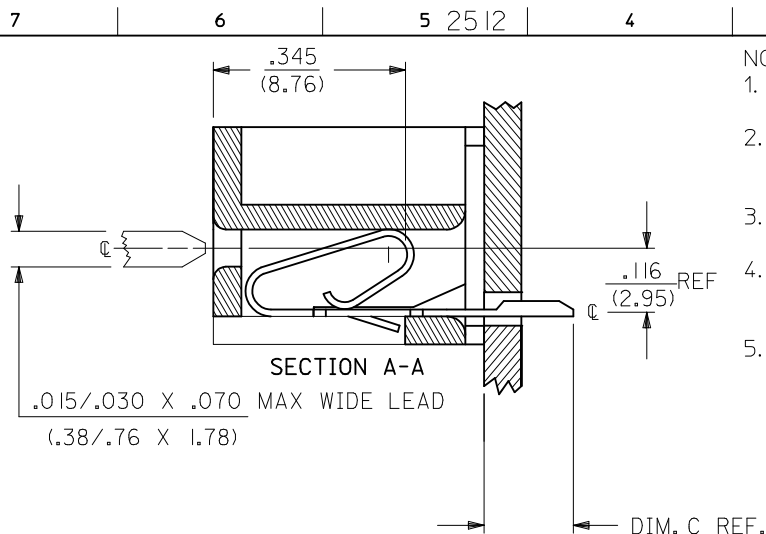
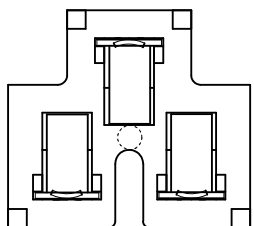
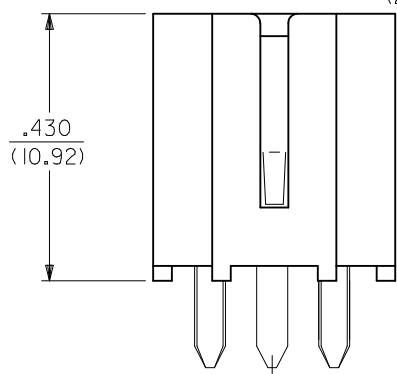
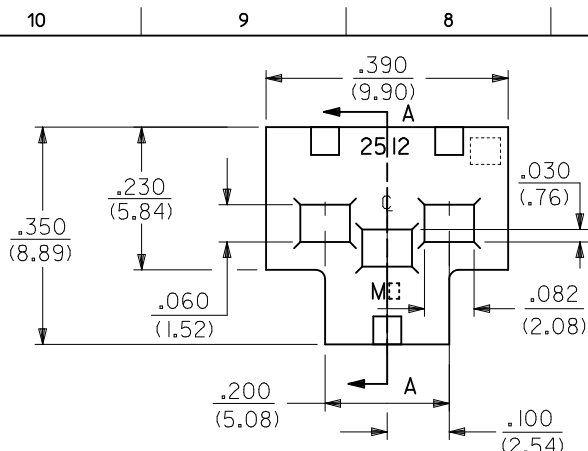
Contact us

Tel: +86-755-8981 8866 Fax: +86-755-8427 6832

Email & Skype: info@chipsmall.com Web: www.chipsmall.com

Address: A1208, Overseas Decoration Building, #122 Zhenhua RD., Futian, Shenzhen, China





PC BOARD HOLE LAYOUR (.062 THK.)
 DIMENSIONAL TOLERANCE ±.004/(.10)
 UNLESS OTHERWISE NOTED

- NOTES:
1. MATERIAL: NYLON 6/6, UL94V-2, NATURAL COLOR.
 2. FINISH PER ES-88:
909: OVERALL HOT TIN DIP
.000100/0.00254 MIN.
 3. THIS PRODUCT COMPLIES WITH MOLEX PRODUCT SPECIFICATION PS-08-50
 4. DIMENSIONS GIVEN ACROSS CENTERLINES ARE SYMMETRICAL ABOUT THOSE CENTERLINES WITHIN HALF THE TOTAL TOLERANCE.
 5. THIS PART CONFORMS TO CLASS B REQUIREMENTS OF COSMETIC SPECIFICATION PS-45499-002.

EDP NO.	ENG. NO.	HOUSING NO.	TERMINAL NO.	DIM. C
09-48-3031	A-2512-3	2512-3-5	2144-A IAA-(P909)B	.145 (3.68)

REVISE NOTES EC NO: UCP2011-3491 DRWN:MMSTROH 2011/05/11 CHKD:HKIPPER 2011/05/12 APPR:FSMITH 2011/07/20	DESCRIPTION Z	QUALITY SYMBOLS ∇/Z=0 ∇/Z=0 ∇/Z=0	GENERAL TOLERANCES (UNLESS SPECIFIED)		DIMENSION STYLE IN/MM		SCALE ---	DESIGN UNITS INCH	THIRD ANGLE PROJECTION		
			4 PLACES	± ---	± ---	DRAWN BY	DATE	TITLE TRANSISTOR SOCKET .200 CENTERS FOR P.C. TAIL TERMINALS MOLEX MOLEX INCORPORATED			
			3 PLACES	± ---	± .010	CHECKED BY	DATE				
			2 PLACES	± 0.25	± .014	PATEL	1994/03/21				
1 PLACE	± 0.36	± ---	APPROVED BY	DATE	MATERIAL NO. SEE CHART		DOCUMENT NO. SDA-2512	SHEET NO. 1 OF 1			
DRAFT WHERE APPLICABLE MUST REMAIN WITHIN DIMENSIONS			ANGULAR ±1/2°		THIS DRAWING CONTAINS INFORMATION THAT IS PROPRIETARY TO MOLEX INCORPORATED AND SHOULD NOT BE USED WITHOUT WRITTEN PERMISSION						