



Chipsmall Limited consists of a professional team with an average of over 10 year of expertise in the distribution of electronic components. Based in Hongkong, we have already established firm and mutual-benefit business relationships with customers from,Europe,America and south Asia,supplying obsolete and hard-to-find components to meet their specific needs.

With the principle of “Quality Parts,Customers Priority,Honest Operation,and Considerate Service”,our business mainly focus on the distribution of electronic components. Line cards we deal with include Microchip,ALPS,ROHM,Xilinx,Pulse,ON,Everlight and Freescale. Main products comprise IC,Modules,Potentiometer,IC Socket,Relay,Connector.Our parts cover such applications as commercial,industrial, and automotives areas.

We are looking forward to setting up business relationship with you and hope to provide you with the best service and solution. Let us make a better world for our industry!



## Contact us

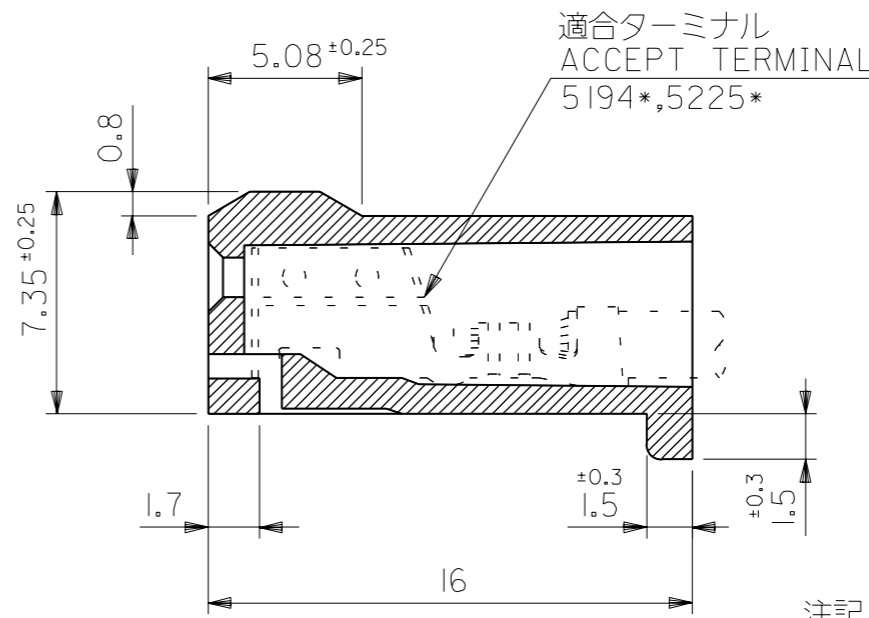
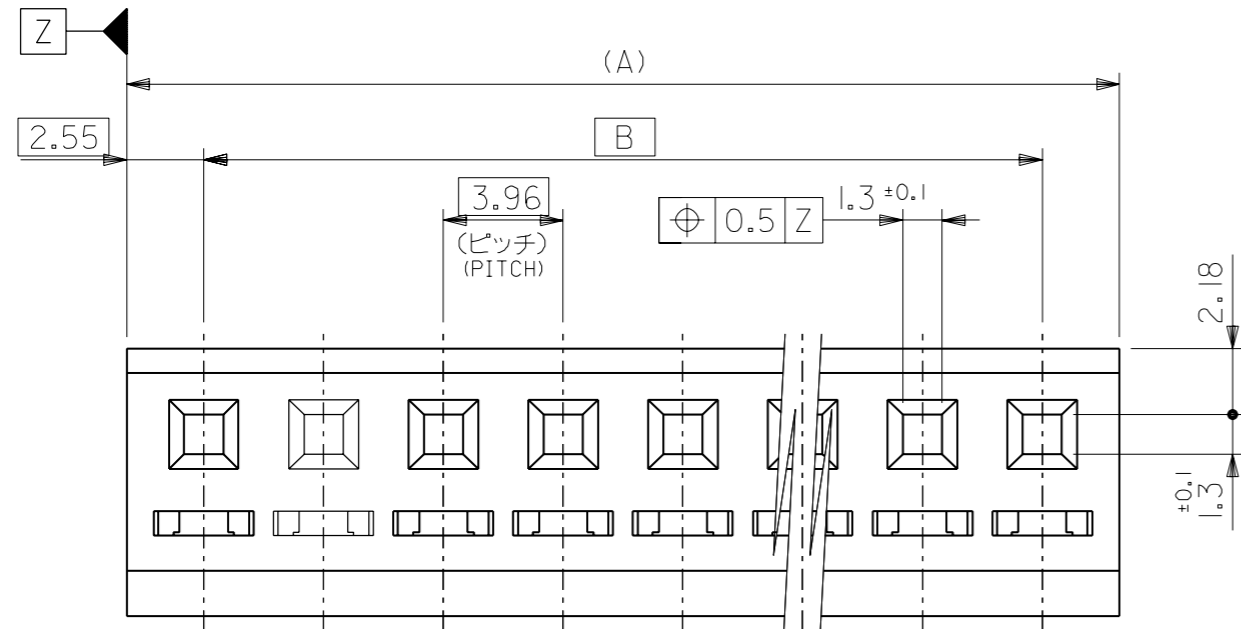
Tel: +86-755-8981 8866 Fax: +86-755-8427 6832

Email & Skype: info@chipsmall.com Web: www.chipsmall.com

Address: A1208, Overseas Decoration Building, #122 Zhenhua RD., Futian, Shenzhen, China

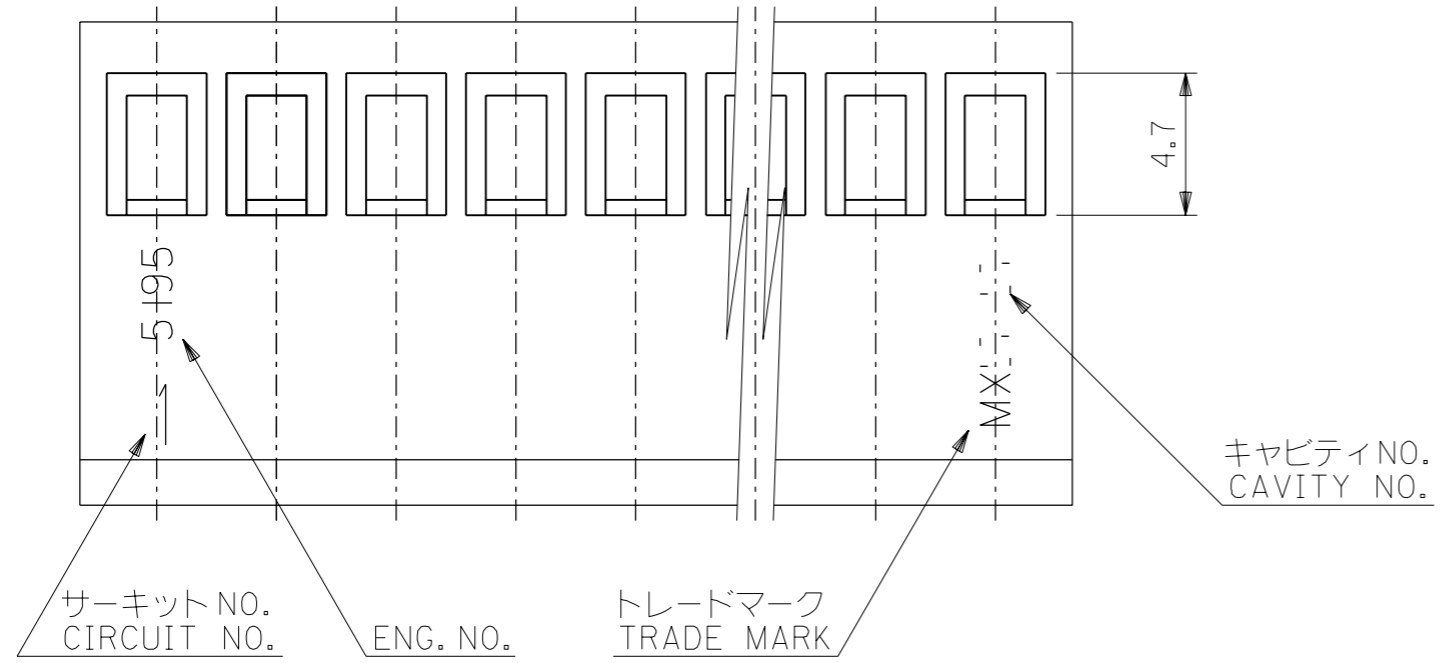


DWG. NO. SD-5195-N



注記 NOTES

- 1. 各部の反りは0.5最大。  
CAMBER : 0.5 MAX.
- 2. サーキットNO.はNO."1"のみ表示。  
CIRCUIT NO. : 1 ONLY.



43.56	48.66	09-50-1121	5195-12	12
39.6	44.7	▲ -1111	▲ -11	11
35.64	40.74	-1101	-10	10
31.68	36.78	-1091	-09	9
27.72	32.82	-1081	-08	8
23.76	28.86	-1071	-07	7
19.8	24.9	-1061	-06	6
15.84	20.94	-1051	-05	5
11.88	16.98	-1041	-04	4
7.92	13.02	▼ -1031	▼ -03	3
3.96	9.06	09-50-1021	5195-02	2
B	A	EDP. NO.	ENG. NO.	極数 NO. OF CKTS.

DIMENSIONS IN METRIC DO NOT SCALE DRAWING

角度 ANGLE	±3°				
30以上 OVER	±0.3				
10以上 30未満 OVER UNDER	±0.25				
10未満 UNDER	±0.2	J	再作図 REDRAWN (JC70319)	M.A.	96/05/21
一般公差 GENERAL TOLERANCES		記号 LTR	変更内容 REVISION RECORD	DR. M.F.	日付 DATE

材料 MATERIAL	ナイロン66, UL94V-2 色: オフホワイト NYLON66, UL94V-2 COLOR : OFFWHITE
仕上げ FINISH	—#—
適用電線範囲 WIRE RANGE	—#—
被覆外径 INS. RANGE	—#—
DRAWN BY '96/05/21	CHK'D BY '96/05/21
M.ASAOKA	M.FUKUSHIMA
APP'D BY '96/05/21	尺度 SCALE 4 : 1
M.ENOMOTO	

**molex** MOLEX-JAPAN CO.,LTD.  
日本モレックス株式会社

REVISE ONLY ON CAD SYSTEM

TITLE 名称  
SPOX 3.96 PITCH  
RECEPTACLE HOUSING

DWG. NO. SD-5195-N

REV H