



Chipsmall Limited consists of a professional team with an average of over 10 year of expertise in the distribution of electronic components. Based in Hongkong, we have already established firm and mutual-benefit business relationships with customers from,Europe,America and south Asia,supplying obsolete and hard-to-find components to meet their specific needs.

With the principle of “Quality Parts,Customers Priority,Honest Operation,and Considerate Service”,our business mainly focus on the distribution of electronic components. Line cards we deal with include Microchip,ALPS,ROHM,Xilinx,Pulse,ON,Everlight and Freescale. Main products comprise IC,Modules,Potentiometer,IC Socket,Relay,Connector.Our parts cover such applications as commercial,industrial, and automotives areas.

We are looking forward to setting up business relationship with you and hope to provide you with the best service and solution. Let us make a better world for our industry!



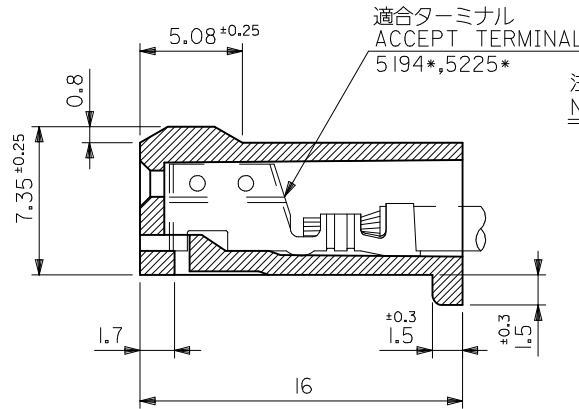
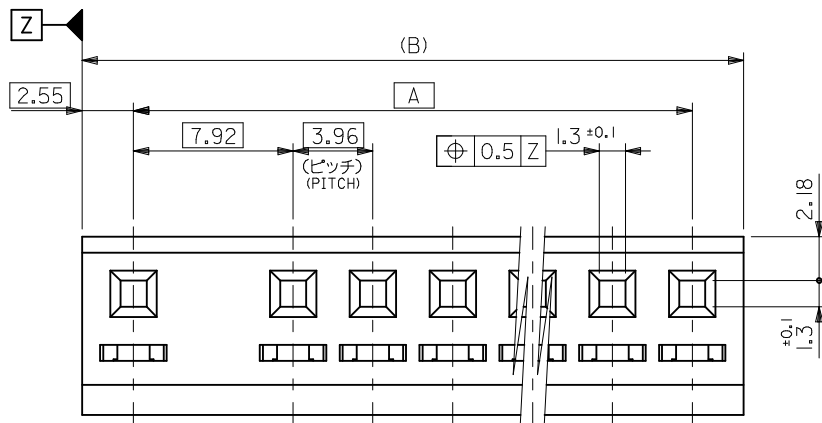
Contact us

Tel: +86-755-8981 8866 Fax: +86-755-8427 6832

Email & Skype: info@chipsmall.com Web: www.chipsmall.com

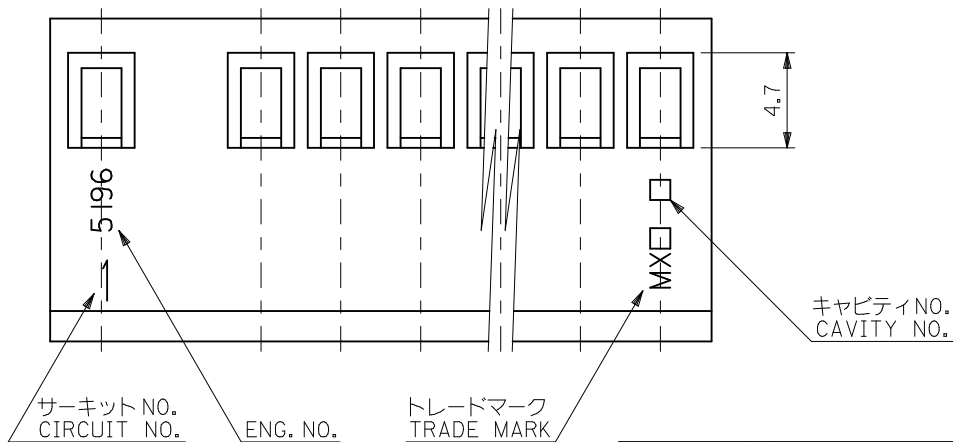
Address: A1208, Overseas Decoration Building, #122 Zhenhua RD., Futian, Shenzhen, China





注記
NOTES

1. 各部の反りは0.5最大。
WARPING : 0.5 MAX.
2. サークットNO.はNO."1"のみ表示。
CIRCUIT NO. : 1 ONLY.
3. ELV及びRoHS適合品。
ELV AND RoHS COMPLIANT.



52.62	47.52	09-50-1123	5196-12	12
48.66	43.56	↑ -1113	↑ -11	11
44.7	39.6	-1103	-10	10
40.74	35.64	-1093	-09	9
36.78	31.68	-1083	-08	8
32.82	27.72	-1073	-07	7
28.86	23.76	-1063	-06	6
24.9	19.8	-1053	-05	5
20.94	15.84	-1043	-04	4
16.98	11.88	↓ -1033	↓ -03	3
13.02	7.92	09-50-1023	5196-02	2
B		A	EDP. NO.	ENG. NO.

REVISED EC NO: J2009-2074 DRWN: CARIZONO 2009/04/15 CHKD: T. HIRUYAMA 2009/04/16 APPR: NUKITA 2009/04/16 K	GENERAL TOLERANCES (UNLESS SPECIFIED)		DIMENSION STYLE MM ONLY		SCALE 4:1		DESIGN UNITS METRIC		THIRD ANGLE PROJECTION	
	10 UNDER	±0.2	DRAWN BY M. FUJIKURA		DATE 1992/09/07		TITLE SPOX 7.92/3.96 REC HSG			
	10 OVER 30 UNDER	±0.25	CHECKED BY H. HIRAMOTO		DATE 1992/09/08		MOLEX INCORPORATED DOCUMENT NO. SD-5196-001 SHEET NO. 1 OF 1			
	30 OVER	±0.3	APPROVED BY M. FUKUSHIMA		DATE 1992/09/08					
ANGULAR ±3 °		DRAFT WHERE APPLICABLE MUST REMAIN WITHIN DIMENSIONS		MATERIAL NO. SEE TABLE		THIS DRAWING CONTAINS INFORMATION THAT IS PROPRIETARY TO MOLEX INCORPORATED AND SHOULD NOT BE USED WITHOUT WRITTEN PERMISSION				

材料 MATERIAL
 ナイロン66, UL94V-2
 色: オフホワイト
 NYLON66, UL94V-2
 COLOR: OFFWHITE