



Chipsmall Limited consists of a professional team with an average of over 10 year of expertise in the distribution of electronic components. Based in Hongkong, we have already established firm and mutual-benefit business relationships with customers from,Europe,America and south Asia,supplying obsolete and hard-to-find components to meet their specific needs.

With the principle of “Quality Parts,Customers Priority,Honest Operation,and Considerate Service”,our business mainly focus on the distribution of electronic components. Line cards we deal with include Microchip,ALPS,ROHM,Xilinx,Pulse,ON,Everlight and Freescale. Main products comprise IC,Modules,Potentiometer,IC Socket,Relay,Connector.Our parts cover such applications as commercial,industrial, and automotives areas.

We are looking forward to setting up business relationship with you and hope to provide you with the best service and solution. Let us make a better world for our industry!



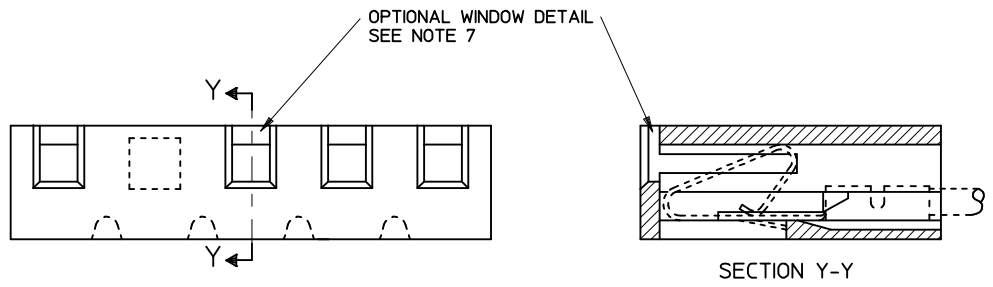
Contact us

Tel: +86-755-8981 8866 Fax: +86-755-8427 6832

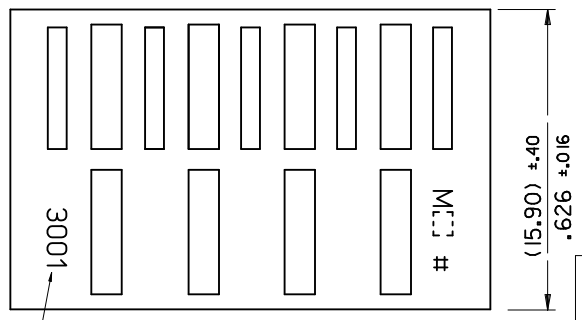
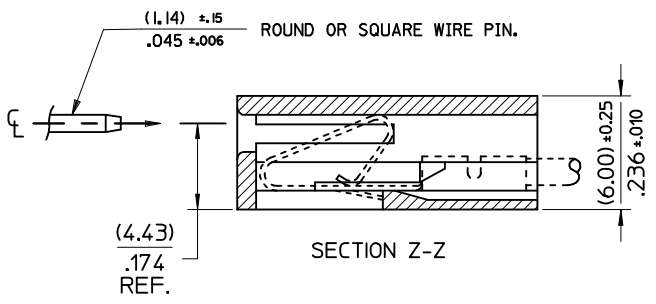
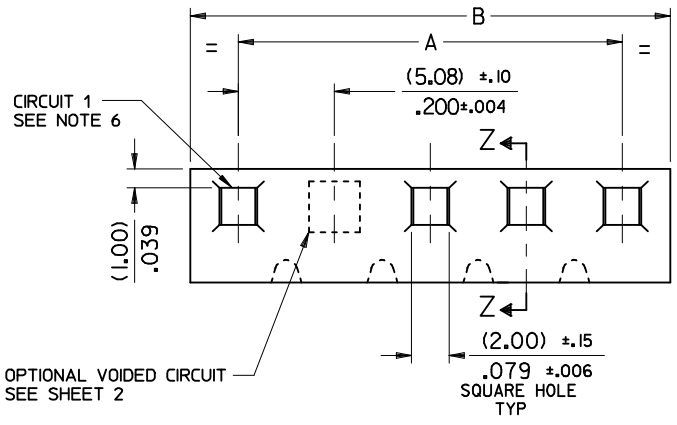
Email & Skype: info@chipsmall.com Web: www.chipsmall.com

Address: A1208, Overseas Decoration Building, #122 Zhenhua RD., Futian, Shenzhen, China





- NOTES:
1. MATERIAL: NYLON, UL94V-2, COLOR: NATURAL
 2. FINISH: N/A
 3. PRODUCT SPECIFICATION: PS-99020-0087
 4. THIS HOUSING USES KK TERMINAL SERIES 2478, 2578, AND 2878.
 5. THIS PART CONFORMS TO CLASS B REQUIREMENTS OF COSMETIC SPECIFICATION PS-45499-002.
 6. CIRCUIT 1 USED TO DEFINE VOID LOCATION.
 7. WINDOW GEOMETRY IS DEPENDENT ON MOLD. PARTS MAY HAVE EITHER GEOMETRY.



10-01-1124	E-3001-12	2.200 ±.010	2.400 ⁺⁰ _{-.012}	55.88 ±.25	60.96 ±.30
-1114	-11	2.000 ±.008	2.200 ⁺⁰ _{-.012}	50.80 ±.20	55.88 ±.30
-1104	-10	1.800 ±.008	2.000 ⁺⁰ _{-.008}	45.72 ±.20	50.80 ±.30
-1094	-9	1.600 ±.008	1.800 ⁺⁰ _{-.008}	40.64 ±.20	45.72 ±.30
-1084	-8	1.400 ±.008	1.600 ⁺⁰ _{-.008}	35.56 ±.20	40.64 ±.30
-1074	-7	1.200 ±.008	1.400 ⁺⁰ _{-.008}	30.48 ±.20	35.56 ±.30
-1064	-6	1.000 ±.004	1.200 ⁺⁰ _{-.008}	25.40 ±.10	30.48 ±.30
-1054	-5	.800 ±.004	1.000 ⁺⁰ _{-.008}	20.32 ±.10	25.40 ±.30
-1044	-4	.600 ±.004	.800 ⁺⁰ _{-.008}	15.24 ±.10	20.32 ±.30
-1034	-3	.400 ±.004	.600 ⁺⁰ _{-.008}	10.16 ±.10	15.24 ±.30
10-01-1024	E-3001-2	.200 ±.004	.400 ⁺⁰ _{-.008}	5.08 ±.10	10.16 ±.30
		A B		A B	
PART No.		ENG. No.		ENGLISH METRIC	

REMOVE 1.14 DIM. EC NO: UCP/2015-4130 DRW:WK/PPER 2015/04/07 CHKD:JBELL 2015/04/08 APPR:FSM/TH 2015/04/09	QUALITY SYMBOLS	GENERAL TOLERANCES (UNLESS SPECIFIED)		DIMENSION STYLE		SCALE	DESIGN UNITS	THIRD ANGLE PROJECTION		
	$F_A = 0$ $F_G = 0$ $F_P = 0$	4 PLACES ± --- ± --- 3 PLACES ± --- ± .010 2 PLACES ± 0.25 ± .014 1 PLACE ± 0.35 ± --- 0 PLACE ± ±	mm INCH	DRAWN BY P. MOORE	DATE 1998/09/15	TITLE	1:1	METRIC	KK (5.08)/.200 CRIMP TERMINAL HOUSING	
		ANGULAR ±1/2° DRAFT WHERE APPLICABLE MUST REMAIN WITHIN DIMENSIONS	APPROVED BY FSMITH	DATE 2010/12/06		MATERIAL NO. SEE CHART		DOCUMENT NO. SDE-3001-N-*	SHEET NO. 1 OF 1	
	R2			THIS DRAWING CONTAINS INFORMATION THAT IS PROPRIETARY TO MOLEX INCORPORATED AND SHOULD NOT BE USED WITHOUT WRITTEN PERMISSION						