



Chipsmall Limited consists of a professional team with an average of over 10 year of expertise in the distribution of electronic components. Based in Hongkong, we have already established firm and mutual-benefit business relationships with customers from,Europe,America and south Asia,supplying obsolete and hard-to-find components to meet their specific needs.

With the principle of "Quality Parts,Customers Priority,Honest Operation,and Considerate Service",our business mainly focus on the distribution of electronic components. Line cards we deal with include Microchip,ALPS,ROHM,Xilinx,Pulse,ON,Everlight and Freescale. Main products comprise IC,Modules,Potentiometer,IC Socket,Relay,Connector.Our parts cover such applications as commercial,industrial, and automotives areas.

We are looking forward to setting up business relationship with you and hope to provide you with the best service and solution. Let us make a better world for our industry!



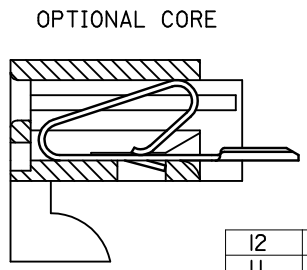
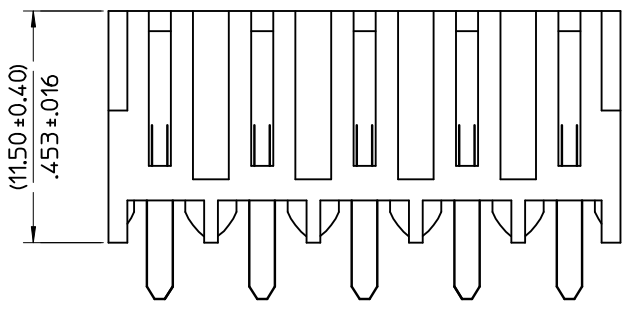
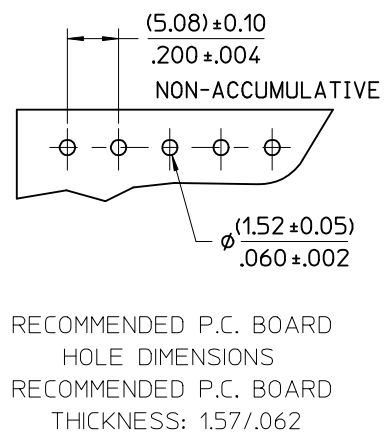
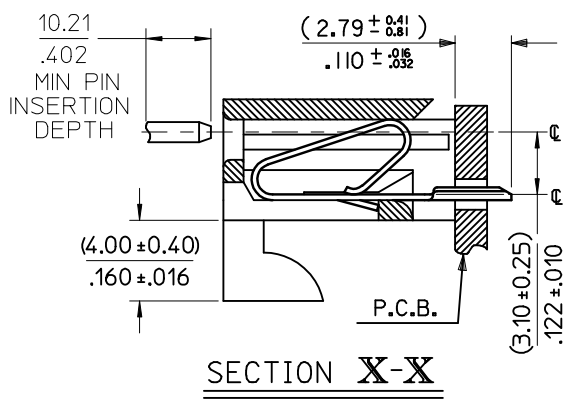
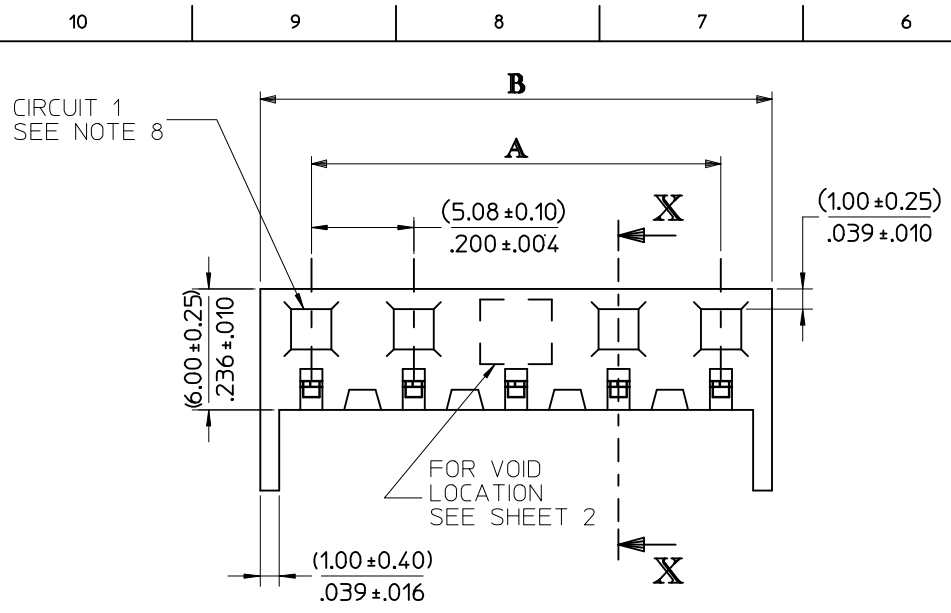
Contact us

Tel: +86-755-8981 8866 Fax: +86-755-8427 6832

Email & Skype: info@chipsmall.com Web: www.chipsmall.com

Address: A1208, Overseas Decoration Building, #122 Zhenhua RD., Futian, Shenzhen, China





No OF CIRCUITS	PART No.	ENG. No.	ENGLISH		METRIC	
			A	B	A	B
12	10-10-1123	AE-3002-12C	2.200 ± .010	2.400 ^{+.008} / _{-.012}	55.88 ± .25	60.96 ^{+.2} / _{-.5}
11	↑ -1113	↑ -11C	2.000 ± .008	2.200 ^{+.008} / _{-.012}	50.80 ± .20	55.88 ^{+.2} / _{-.5}
10	↑ -1103	↑ -10C	1.800 ± .008	2.000 ^{+.008} / _{-.012}	45.72 ± .20	50.80 ^{+.2} / _{-.5}
9	↑ -1093	↑ -9C	1.600 ± .008	1.800 ^{+.008} / _{-.012}	40.64 ± .20	45.72 ^{+.2} / _{-.5}
8	↑ -1083	↑ -8C	1.400 ± .008	1.600 ^{+.008} / _{-.012}	35.56 ± .20	40.64 ^{+.2} / _{-.5}
7	↑ -1073	↑ -7C	1.200 ± .008	1.400 ^{+.008} / _{-.012}	30.48 ± .20	35.56 ^{+.2} / _{-.5}
6	↑ -1063	↑ -6C	1.000 ± .004	1.200 ^{+.008} / _{-.012}	25.40 ± .10	30.48 ^{+.2} / _{-.5}
5	↑ -1053	↑ -5C	.800 ± .004	1.000 ^{+.008} / _{-.012}	20.32 ± .10	25.40 ^{+.2} / _{-.5}
4	↑ -1043	↑ -4C	.600 ± .004	.800 ^{+.008} / _{-.012}	15.24 ± .10	20.32 ^{+.2} / _{-.5}
3	↑ -1033	↑ -3C	.400 ± .004	.600 ^{+.008} / _{-.012}	10.16 ± .10	15.24 ^{+.2} / _{-.5}
2	10-10-1023	AE-3002-2C	.200 ± .004	.400 ^{+.008} / _{-.012}	5.08 ± .10	10.16 ^{+.2} / _{-.5}

- NOTES:
- HOUSING : NYLON, UL94V-2, COLOR: NATURAL
TERMINAL : PHOSPHOR BRONZE
 - FINISH: HOT TIN DIP, (0.00254)/.000100 MIN
 - PRODUCT SPECIFICATION : PS-99020-0087
 - PACKAGING SPECIFICATION : PK-3002-002
 - HOUSING SUITABLE FOR (1.14±0.15)/.045±.006 RD OR SQ. PINS
 - HOOKS AVAILABLE ON ENDS ONLY
 - THIS PART CONFORMS TO CLASS B REQUIREMENTS OF COSMETIC SPECIFICATION PS-45499-002
 - CIRCUIT 1 I.D. USED TO DEFINE VOID LOCATION.
CIRCUIT 1 MAY OR MAY NOT LINE UP WITH CIRCUIT 1 OF MATING PART

PIN INSERTION DEPTH	EC NO: UCP2017-0772	2016/10/05
	DRWN:KIPPER	2016/10/05
	CHKD:JDFOX	2016/10/05
	APPR:FSM/TH	2016/10/07
L2	REV	

QUALITY SYMBOLS	GENERAL TOLERANCES (UNLESS SPECIFIED)
F _A = 0	mm INCH
F _C = 0	4 PLACES ± --- ± ---
F _P = 0	3 PLACES ± --- ± ---
	2 PLACES ± --- ± ---
	1 PLACE ± --- ± ---
	0 PLACE ± ±
	ANGULAR ±1/2°
	DRAFT WHERE APPLICABLE MUST REMAIN WITHIN DIMENSIONS

DIMENSION STYLE	SCALE	DESIGN UNITS
MM/IN	5:1	METRIC
DRAWN BY	DATE	TITLE
P MOORE	1998/09/14	KONEKTCON & P.C. TAIL TERMINAL ASSEMBLY (5.08)/.200 PITCH
CHECKED BY	DATE	
MGOONEY	1999/03/08	
APPROVED BY	DATE	
MWILHITE	1999/03/08	
MATERIAL NO.	DOCUMENT NO.	SHEET NO.
SEE CHART	SDAE-3002-NC-*	1 OF 2

molex

THIS DRAWING CONTAINS INFORMATION THAT IS PROPRIETARY TO MOLEX INCORPORATED AND SHOULD NOT BE USED WITHOUT WRITTEN PERMISSION