



Chipsmall Limited consists of a professional team with an average of over 10 year of expertise in the distribution of electronic components. Based in Hongkong, we have already established firm and mutual-benefit business relationships with customers from,Europe,America and south Asia,supplying obsolete and hard-to-find components to meet their specific needs.

With the principle of “Quality Parts,Customers Priority,Honest Operation,and Considerate Service”,our business mainly focus on the distribution of electronic components. Line cards we deal with include Microchip,ALPS,ROHM,Xilinx,Pulse,ON,Everlight and Freescale. Main products comprise IC,Modules,Potentiometer,IC Socket,Relay,Connector.Our parts cover such applications as commercial,industrial, and automotives areas.

We are looking forward to setting up business relationship with you and hope to provide you with the best service and solution. Let us make a better world for our industry!



Contact us

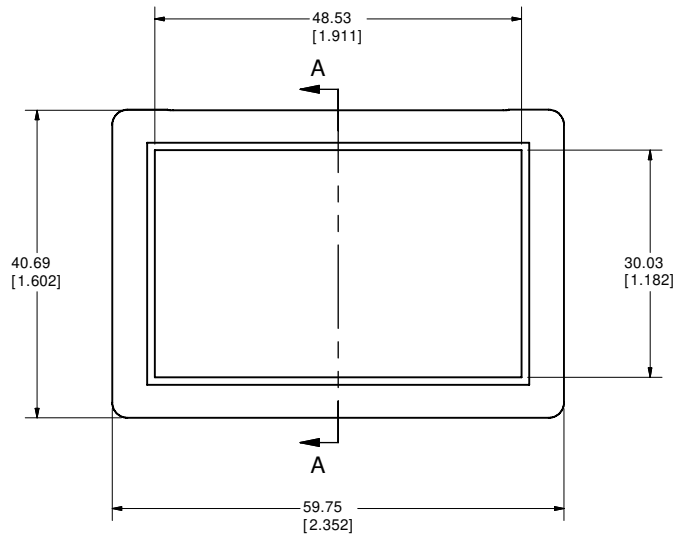
Tel: +86-755-8981 8866 Fax: +86-755-8427 6832

Email & Skype: info@chipsmall.com Web: www.chipsmall.com

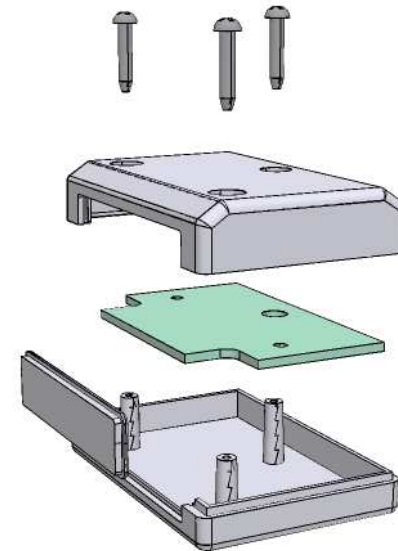
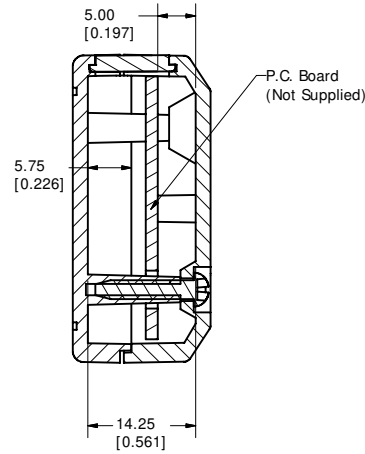
Address: A1208, Overseas Decoration Building, #122 Zhenhua RD., Futian, Shenzhen, China



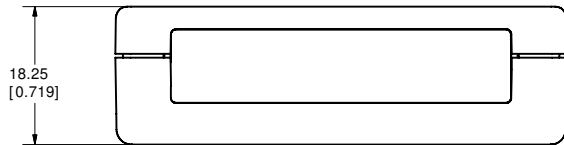
Top View of Assembly



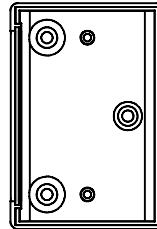
SECTION A-A
(Side Inside Assembly)



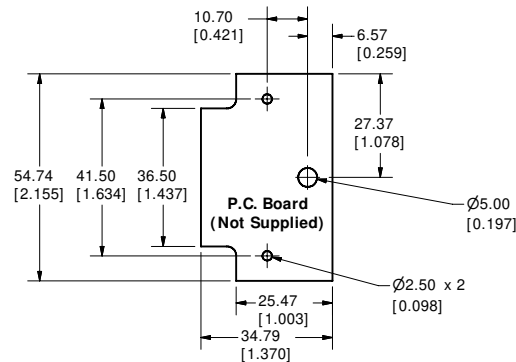
End View of Assembly



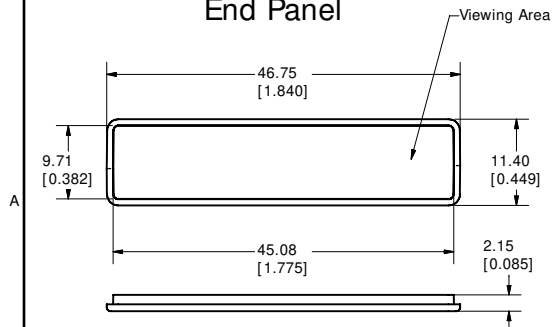
Inside Bottom Cover



Maximum P.C. Board Size



End Panel



NOTE

PART NUMBERS

Clipper Enclosure

Black Enclosure RAL 9018 001100

Grey Enclosure RAL 7035 001111

INCLUDES

#	Description	Material
1	Enclosure	FR ABS-UL94-V0
1	End Panel	FR ABS-UL94-V0
3	Cover Screws #2x1/2 Pan Head	

ACCESSORIES

Black Pocket Clip 001151

Grey Pocket Clip 001152

Infra Red Panel 001153



**HAMMOND
MANUFACTURING™**

Small Clipper Enclosure

www.hammondmfg.com