



Chipsmall Limited consists of a professional team with an average of over 10 year of expertise in the distribution of electronic components. Based in Hongkong, we have already established firm and mutual-benefit business relationships with customers from,Europe,America and south Asia,supplying obsolete and hard-to-find components to meet their specific needs.

With the principle of “Quality Parts,Customers Priority,Honest Operation,and Considerate Service”,our business mainly focus on the distribution of electronic components. Line cards we deal with include Microchip,ALPS,ROHM,Xilinx,Pulse,ON,Everlight and Freescale. Main products comprise IC,Modules,Potentiometer,IC Socket,Relay,Connector.Our parts cover such applications as commercial,industrial, and automotives areas.

We are looking forward to setting up business relationship with you and hope to provide you with the best service and solution. Let us make a better world for our industry!



Contact us

Tel: +86-755-8981 8866 Fax: +86-755-8427 6832

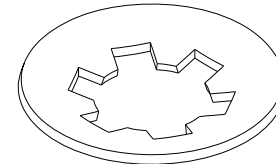
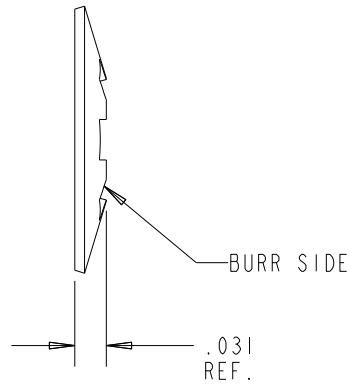
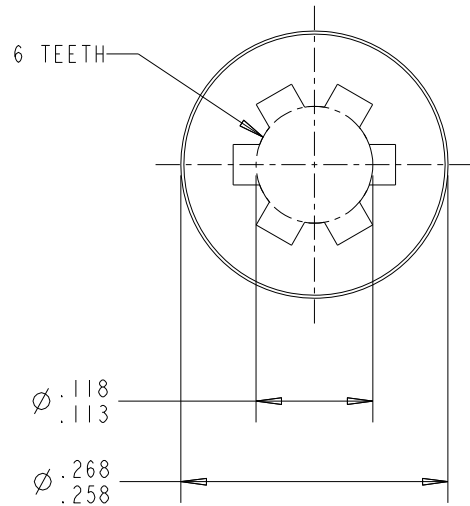
Email & Skype: info@chipsmall.com Web: www.chipsmall.com

Address: A1208, Overseas Decoration Building, #122 Zhenhua RD., Futian, Shenzhen, China



NOTES:

1. I. D. DESIGN FOR .125±.002 DIA. SHAFT.
2. MATERIAL SAE 1050 STEEL, HARDEN AND TEMPER THICKNESS 0.010".
3. FINISHED: PARKERIZED.
PART MUST BE RoHS COMPLIANT.



INFORMATION ONLY

ORIGINAL ON PRO/E

| |
|------------------------|
| DWN: LM |
| APVD: DS |
| DATE: 20-Feb-62 |
| THIRD ANGLE PROJECTION |
| |

THE CONFIDENTIAL AND PROPRIETARY INFORMATION CONTAINED IN THIS DOCUMENT IS OWNED BY CHERRY ELECTRICAL PRODUCTS, A DIVISION OF THE CHERRY CORPORATION WHO MUST GIVE WRITTEN PERMISSION BEFORE THE DOCUMENT OR INFORMATION CAN BE COPIED, DISCLOSED OR USED IN ANY WAY.

TOLERANCE UNLESS SPECIFIED

| | | | |
|-------|--------|---------|--------|
| UNITS | X.XX | X.XXX | ANGLES |
| INCH | ± 0.01 | ± 0.005 | ± 1.0° |

PROJECT / ESR

CHERRY ELECTRICAL PRODUCTS

11200 88TH AVENUE
PLEASANT PRAIRIE, WI 53158

NAME / DESCRIPTION

SPRINGRIP RETAINER

| | | |
|--------|----------|-----------|
| A | ITEM NO. | 00120018 |
| SCALE: | 6:1 | SH 1 OF 1 |

| | | | | |
|-----|---------|-----------|------|------|
| C | 15313 | 31-Oct-06 | CM | RF |
| REV | ECO NO. | DATE | PREP | APVD |

