



Chipsmall Limited consists of a professional team with an average of over 10 year of expertise in the distribution of electronic components. Based in Hongkong, we have already established firm and mutual-benefit business relationships with customers from,Europe,America and south Asia,supplying obsolete and hard-to-find components to meet their specific needs.

With the principle of “Quality Parts,Customers Priority,Honest Operation,and Considerate Service”,our business mainly focus on the distribution of electronic components. Line cards we deal with include Microchip,ALPS,ROHM,Xilinx,Pulse,ON,Everlight and Freescale. Main products comprise IC,Modules,Potentiometer,IC Socket,Relay,Connector.Our parts cover such applications as commercial,industrial, and automotives areas.

We are looking forward to setting up business relationship with you and hope to provide you with the best service and solution. Let us make a better world for our industry!



Contact us

Tel: +86-755-8981 8866 Fax: +86-755-8427 6832

Email & Skype: info@chipsmall.com Web: www.chipsmall.com

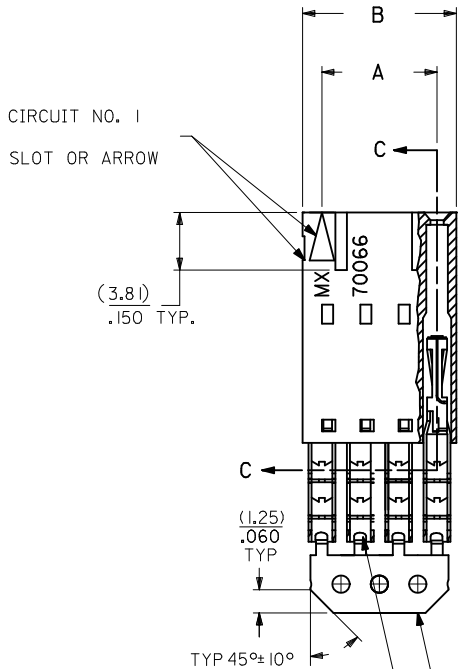
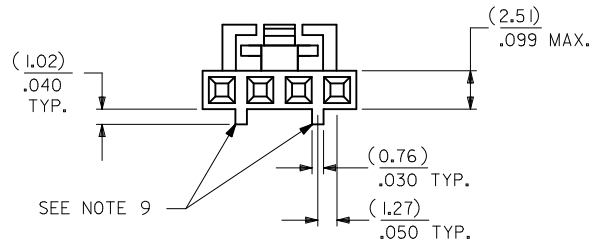
Address: A1208, Overseas Decoration Building, #122 Zhenhua RD., Futian, Shenzhen, China



OPTION G

- NOTES:
 1. MATERIAL:
 HOUSING: POLYESTER(PBT), GLASS FILLED, UL94 V-0,
 COLOR: BLACK
 TERMINAL: PHOSPHOR BRONZE
2. FINISH:
 15 GOLD: 0.38 MICROMETERS/15 MICROINCHES MINIMUM GOLD IN
 1.91 MICROMETERS/75 MICROINCHES MINIMUM TIN
 OVER NICKEL UNDERPLATE OVERALL
3. TO BE USED WITH 22 AWG STRANDED WIRE WITH (1.35)/.053
 DIAMETER MAXIMUM INSULATION
4. SEE TABLE FOR AVAILABLE CIRCUIT SIZES
5. STANDARD PACKAGING PER PK-70873-0001. OPTIONAL PACKAGING
 MAY BE AVAILABLE. REQUEST DRAWING PK-70400
6. PARTS STACKABLE END TO END ON (2.54)/.100 CENTERS
7. PRODUCT SPECIFICATION: PS-70400
8. SEE DRAWING SDA-70400-**** (SHEET 3) FOR OPTIONAL
 HOUSING DETAILS
9. 4 CIRCUIT SHOWN. 3-25 CIRCUITS HAVE 2 RIBS
 10. TO MATE WITH MOLEX PART NUMBERS: A-70373-****,
 A-70375-****, A-70389-****, A-70391-****,
 A-70107-****, A-70018-****, A-70543-****,
 A-70553-****, A-70541-****, A-70551-****,
 A-70545-****, A-70555-****
11. 2 CIRCUIT ASSEMBLIES SUPPLIED AS GROUPED PAIRS

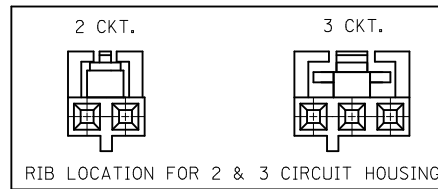
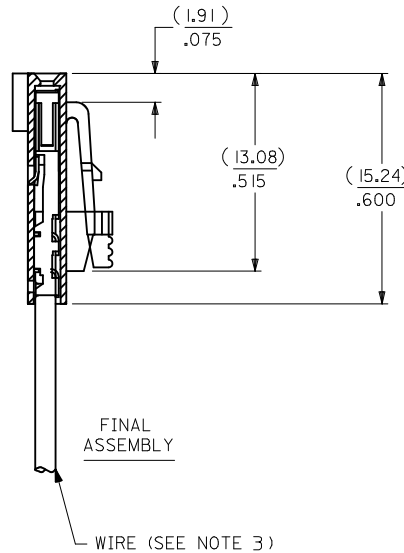
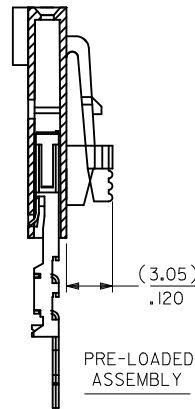
CKT. SIZE	A	B	EDP. NO.
2	(2.54) .100	(5.05) .199	14-56-7027
3	(5.08) .200	(7.59) .299	14-56-7037
4	(7.62) .300	(10.13) .399	14-56-7047
5	(10.16) .400	(12.67) .499	14-56-7057
6	(12.70) .500	(15.21) .599	14-56-7067
7	(15.24) .600	(17.75) .699	14-56-7077
8	(17.78) .700	(20.29) .799	14-56-7087
9	(20.32) .800	(22.83) .899	14-56-7097
10	(22.86) .900	(25.37) .999	14-56-7107
11	(25.40) 1.000	(27.91) 1.099	14-56-7117
12	(27.94) 1.100	(30.45) 1.199	14-56-7127
13	(30.48) 1.200	(32.99) 1.299	14-56-7137
14	(33.02) 1.300	(35.53) 1.399	14-56-7147
15	(35.56) 1.400	(38.07) 1.499	14-56-7157
16	(38.10) 1.500	(40.61) 1.599	14-56-7167
17	(40.64) 1.600	(43.15) 1.699	14-56-7177
18	(43.18) 1.700	(45.69) 1.799	14-56-7187
19	(45.72) 1.800	(48.23) 1.899	14-56-7197
20	(48.26) 1.900	(50.77) 1.999	14-56-7207
21	(50.80) 2.000	(53.31) 2.099	14-56-7217
22	(53.34) 2.100	(55.85) 2.199	14-56-7227
23	(55.88) 2.200	(58.39) 2.299	14-56-7237
24	(58.42) 2.300	(60.93) 2.399	14-56-7247
25	(60.96) 2.400	(63.47) 2.499	14-56-7257



I.D. SLOT CODE TO WIRE GAUGE CHART	
I.D. SLOT CODE	WIRE GAUGE
D	22 AWG.

PLATING CODE (STRIPE ON CARRIER STRIP)	
PLATING	COLOR
15 GOLD	YELLOW

SECTION C-C



REMOVE ENG NO. EC NO: UCP2011-110 DRWINMSI BARRA 2010/10/19 CHKD:JORGAN 2010/10/19 APPR:SMILLER 2010/11/24	QUALITY SYMBOLS ∇=0 ∇=0 ∇=0	GENERAL TOLERANCES (UNLESS SPECIFIED)		DIMENSION STYLE MM/IN		SCALE INCH	DESIGN UNITS INCH	THIRD ANGLE PROJECTION			
		4 PLACES ± --- ± --- 3 PLACES ± --- ± .010 2 PLACES ± 0.25 ± .014 1 PLACE ± 0.35 ± ---	mm INCH	DRAWN BY MSIBARRA	DATE 2010/10/20	TITLE ASSEMBLY, SL CONNECTOR SINGLE ROW 2.54/.100					
		ANGULAR ±1/2°		CHECKED BY WAZ	DATE 1987/10/26	APPROVED BY SMILLER					
		DRAFT WHERE APPLICABLE MUST REMAIN WITHIN DIMENSIONS		MATERIAL NO. SEE TABLE	DATE 2010/11/24	MOLEX INCORPORATED		DOCUMENT NO. SDA-70400-2976-2999	SHEET NO. 1 OF 1		

THIS DRAWING CONTAINS INFORMATION THAT IS PROPRIETARY TO MOLEX INCORPORATED AND SHOULD NOT BE USED WITHOUT WRITTEN PERMISSION