



Chipsmall Limited consists of a professional team with an average of over 10 year of expertise in the distribution of electronic components. Based in Hongkong, we have already established firm and mutual-benefit business relationships with customers from,Europe,America and south Asia,supplying obsolete and hard-to-find components to meet their specific needs.

With the principle of “Quality Parts,Customers Priority,Honest Operation,and Considerate Service”,our business mainly focus on the distribution of electronic components. Line cards we deal with include Microchip,ALPS,ROHM,Xilinx,Pulse,ON,Everlight and Freescale. Main products comprise IC,Modules,Potentiometer,IC Socket,Relay,Connector.Our parts cover such applications as commercial,industrial, and automotives areas.

We are looking forward to setting up business relationship with you and hope to provide you with the best service and solution. Let us make a better world for our industry!



## Contact us

Tel: +86-755-8981 8866 Fax: +86-755-8427 6832

Email & Skype: info@chipsmall.com Web: www.chipsmall.com

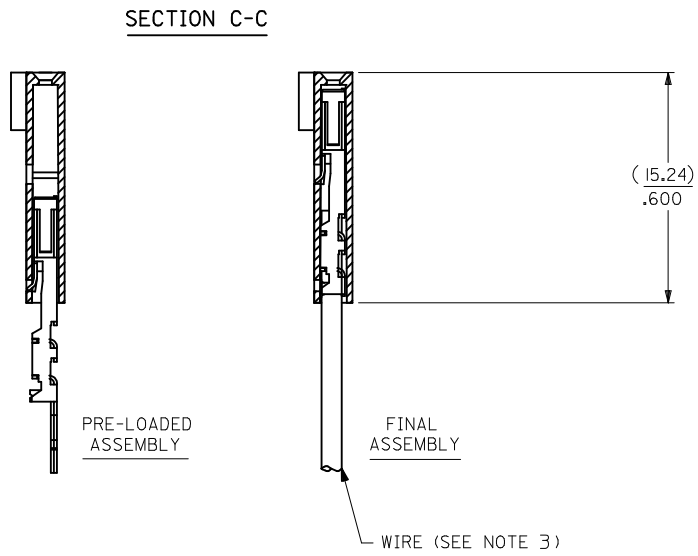
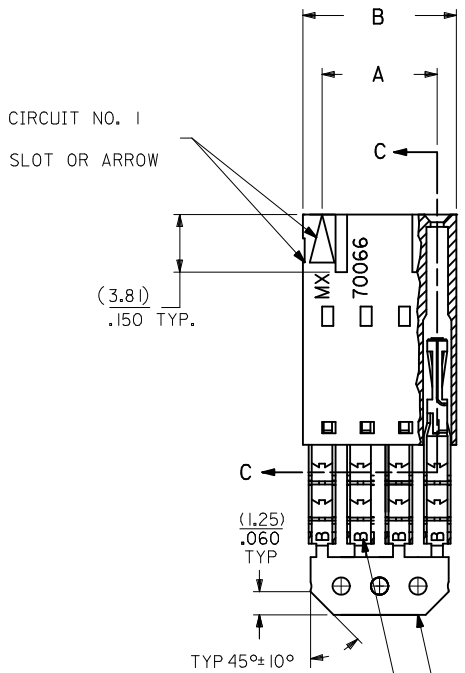
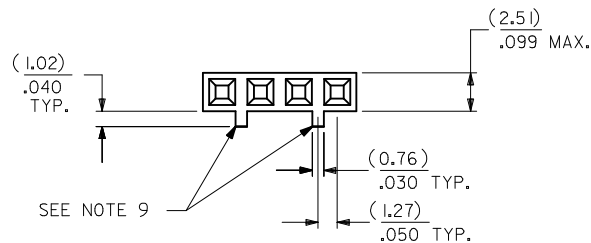
Address: A1208, Overseas Decoration Building, #122 Zhenhua RD., Futian, Shenzhen, China



# OPTION C

- NOTES:  
 1. MATERIAL:  
 HOUSING: POLYESTER(PBT), GLASS FILLED, UL94 V-0,  
 COLOR: BLACK  
 TERMINAL: PHOSPHOR BRONZE  
 2. FINISH:  
 TIN: 3.81 MICROMETERS/150 MICROINCHES MINIMUM TIN  
 OVER NICKEL UNDERPLATE OVERALL  
 3. TO BE USED WITH 26 AWG STRANDED WIRE WITH (1.35)/.053  
 DIAMETER MAXIMUM INSULATION  
 4. SEE TABLE FOR AVAILABLE CIRCUIT SIZES  
 5. STANDARD PACKAGING PER PK-70873-0001. OPTIONAL PACKAGING  
 MAY BE AVAILABLE, REQUEST DRAWING PK-70400  
 6. PARTS STACKABLE END TO END ON (2.54)/.100 CENTERS  
 7. PRODUCT SPECIFICATION: PS-70400  
 8. SEE DRAWING SDA-70400-\*\*\*\* (SHEET 3) FOR OPTIONAL  
 HOUSING DETAILS  
 9. 4 CIRCUIT SHOWN. 3-25 CIRCUITS HAVE 2 RIBS  
 10. TO MATE WITH MOLEX PART NUMBERS: A-70374-\*\*\*\*,  
 A-70376-\*\*\*\*, A-70390-\*\*\*\*, A-70392-\*\*\*\*,  
 A-70544-\*\*\*\*, A-70554-\*\*\*\*, A-70542-\*\*\*\*,  
 A-70552-\*\*\*\*, A-70546-\*\*\*\*, A-70556-\*\*\*\*,  
 11. 2 CIRCUIT ASSEMBLIES SUPPLIED AS GROUPED PAIRS

CKT. SIZE	A	B	EDP. NO.
2	( 2.54 ) .100	( 5.05 ) .199	14-60-0029
3	( 5.08 ) .200	( 7.59 ) .299	14-60-0039
4	( 7.62 ) .300	( 10.13 ) .399	14-60-0049
5	( 10.16 ) .400	( 12.67 ) .499	14-60-0059
6	( 12.70 ) .500	( 15.21 ) .599	14-60-0069
7	( 15.24 ) .600	( 17.75 ) .699	14-60-0079
8	( 17.78 ) .700	( 20.29 ) .799	14-60-0089
9	( 20.32 ) .800	( 22.83 ) .899	14-60-0099
10	( 22.86 ) .900	( 25.37 ) .999	14-60-0109
11	( 25.54 ) 1.000	( 27.91 ) 1.099	14-60-0119
12	( 27.94 ) 1.100	( 30.45 ) 1.199	14-60-0129
13	( 30.48 ) 1.200	( 32.99 ) 1.299	14-60-0139
14	( 33.02 ) 1.300	( 35.53 ) 1.399	14-60-0149
15	( 35.56 ) 1.400	( 38.07 ) 1.499	14-60-0159
16	( 38.01 ) 1.500	( 40.61 ) 1.599	14-60-0169
17	( 40.64 ) 1.600	( 43.15 ) 1.699	14-60-0179
18	( 43.18 ) 1.700	( 45.69 ) 1.799	14-60-0189
19	( 45.72 ) 1.800	( 48.23 ) 1.899	14-60-0199
20	( 48.26 ) 1.900	( 50.77 ) 1.999	14-60-0209
21	( 50.80 ) 2.000	( 53.31 ) 2.099	14-60-0219
22	( 53.34 ) 2.100	( 55.85 ) 2.199	14-60-0229
23	( 55.88 ) 2.200	( 58.39 ) 2.299	14-60-0239
24	( 58.42 ) 2.300	( 60.93 ) 2.399	14-60-0249
25	( 60.96 ) 2.400	( 63.47 ) 2.499	14-60-0259



I.D. SLOT CODE TO WIRE GAUGE CHART	
I.D. SLOT CODE	WIRE GAUGE
B	26 AWG.

PLATING CODE (STRIPE ON CARRIER STRIP)	
PLATING	COLOR
TIN	NONE

REMOVE ENG NO. EC NO: UCP2011-110 DRW:MSI BARRA 2010/10/19 CHK:DJMORGAN 2010/10/19 APPR:SMILLER 2010/11/24	QUALITY SYMBOLS ▽=0 ▽=0 ▽=0	GENERAL TOLERANCES (UNLESS SPECIFIED)		DIMENSION STYLE MM/IN		SCALE INCH	DESIGN UNITS INCH	THIRD ANGLE PROJECTION	
		4 PLACES ± --- ± --- 3 PLACES ± --- ± .010 2 PLACES ± 0.25 ± .014 1 PLACE ± 0.35 ± ---		DRAWN BY DATE MSI BARRA 2010/10/19		TITLE ASSEMBLY, SL CONNECTOR SINGLE ROW 2.54/.100 GRID			
		ANGULAR ±1/2°		CHECKED BY DATE WAZ 1984/10/09		MOLEX MOLEX INCORPORATED			
		DRAFT WHERE APPLICABLE MUST REMAIN WITHIN DIMENSIONS		APPROVED BY DATE SMILLER 2010/11/24		MATERIAL NO. SEE TABLE		DOCUMENT NO. SDA-70400-0211-0234	

THIS DRAWING CONTAINS INFORMATION THAT IS PROPRIETARY TO MOLEX INCORPORATED AND SHOULD NOT BE USED WITHOUT WRITTEN PERMISSION