



Chipsmall Limited consists of a professional team with an average of over 10 year of expertise in the distribution of electronic components. Based in Hongkong, we have already established firm and mutual-benefit business relationships with customers from,Europe,America and south Asia,supplying obsolete and hard-to-find components to meet their specific needs.

With the principle of “Quality Parts,Customers Priority,Honest Operation,and Considerate Service”,our business mainly focus on the distribution of electronic components. Line cards we deal with include Microchip,ALPS,ROHM,Xilinx,Pulse,ON,Everlight and Freescale. Main products comprise IC,Modules,Potentiometer,IC Socket,Relay,Connector.Our parts cover such applications as commercial,industrial, and automotives areas.

We are looking forward to setting up business relationship with you and hope to provide you with the best service and solution. Let us make a better world for our industry!



Contact us

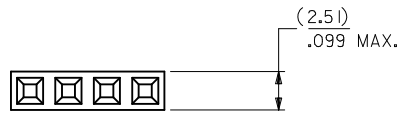
Tel: +86-755-8981 8866 Fax: +86-755-8427 6832

Email & Skype: info@chipsmall.com Web: www.chipsmall.com

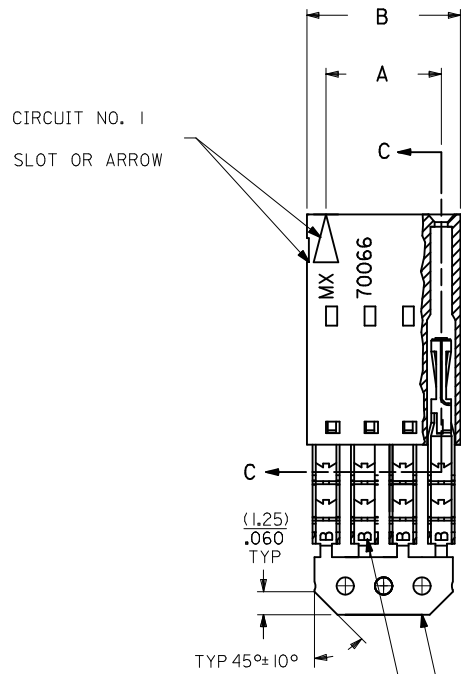
Address: A1208, Overseas Decoration Building, #122 Zhenhua RD., Futian, Shenzhen, China



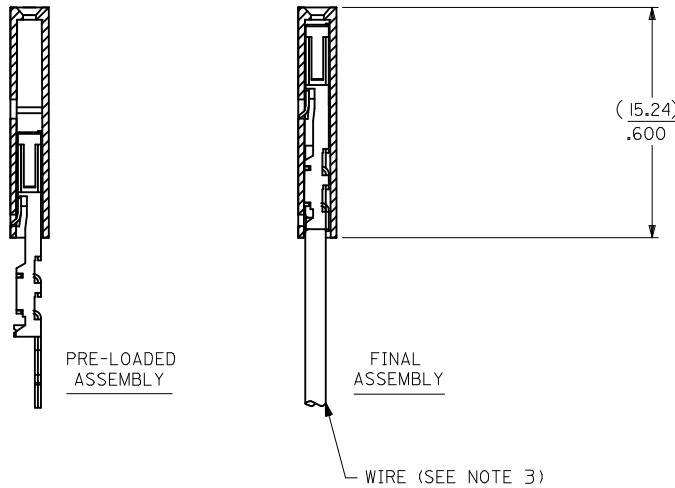
OPTION A



- NOTES:
- MATERIAL:
HOUSING: POLYESTER(PBT), GLASS FILLED, UL94 V-0,
COLOR: BLACK
TERMINAL: PHOSPHOR BRONZE
 - FINISH:
TIN: 3.81 MICROMETERS/150 MICROINCHES MINIMUM TIN
OVER NICKEL UNDERPLATE OVERALL
 - TO BE USED WITH 26 AWG STRANDED WIRE WITH (1.35)/.053
DIAMETER MAXIMUM INSULATION
 - SEE TABLE FOR AVAILABLE CIRCUIT SIZES
 - STANDARD PACKAGING PER PK-70873-0001. OPTIONAL PACKAGING
MAY BE AVAILABLE, REQUEST DRAWING PK-70400
 - PARTS STACKABLE END TO END ON (2.54)/.100 CENTERS
 - PRODUCT SPECIFICATION: PS-70400
 - SEE DRAWING SDA-70400-**** (SHEET 3) FOR OPTIONAL
HOUSING DETAILS
 - 4 CIRCUIT SHOWN
 - TO MATE WITH MOLEX 2.54/.100 CENTERLINE HEADERS
 - 2 CIRCUIT ASSEMBLIES SUPPLIED AS GROUPED PAIRS



SECTION C-C



CKT. SIZE	A	B	EDP. NO.
2	(2.54) .100	(5.05) .199	14-60-0023
3	(5.08) .200	(7.59) .299	14-60-0033
4	(7.62) .300	(10.13) .399	14-60-0043
5	(10.16) .400	(12.67) .499	14-60-0053
6	(12.70) .500	(15.21) .599	14-60-0063
7	(15.24) .600	(17.75) .699	14-60-0073
8	(17.78) .700	(20.29) .799	14-60-0083
9	(20.32) .800	(22.83) .899	14-60-0093
10	(22.86) .900	(25.37) .999	14-60-0103
11	(25.54) 1.000	(27.91) 1.099	14-60-0113
12	(27.94) 1.100	(30.45) 1.199	14-60-0123
13	(30.48) 1.200	(32.99) 1.299	14-60-0133
14	(33.02) 1.300	(35.53) 1.399	14-60-0143
15	(35.56) 1.400	(38.07) 1.499	14-60-0153
16	(38.01) 1.500	(40.61) 1.599	14-60-0163
17	(40.64) 1.600	(43.15) 1.699	14-60-0173
18	(43.18) 1.700	(45.69) 1.799	14-60-0183
19	(45.72) 1.800	(48.23) 1.899	14-60-0193
20	(48.26) 1.900	(50.77) 1.999	14-60-0203
21	(50.80) 2.000	(53.31) 2.099	14-60-0213
22	(53.34) 2.100	(55.85) 2.199	14-60-0223
23	(55.88) 2.200	(58.39) 2.299	14-60-0233
24	(58.42) 2.300	(60.93) 2.399	14-60-0243
25	(60.96) 2.400	(63.47) 2.499	14-60-0253

I.D. SLOT CODE TO WIRE GAUGE CHART	
I.D. SLOT CODE	WIRE GAUGE
B	26 AWG.

PLATING CODE (STRIPE ON CARRIER STRIP)	
PLATING	COLOR
TIN	NONE

REMOVE ENG NO. EC NO: UCP2011-110 DRW:MSI BARRA 2010/10/19 CHKD:J MORGAN 2010/10/19 APPR:SMILLER 2010/11/24	QUALITY SYMBOLS ∇=0 ∇=0 ∇=0	GENERAL TOLERANCES (UNLESS SPECIFIED)		DIMENSION STYLE MM/IN		SCALE	DESIGN UNITS	THIRD ANGLE PROJECTION			
		4 PLACES ± --- ± --- 3 PLACES ± --- ± .010 2 PLACES ± 0.25 ± .014 1 PLACE ± 0.35 ± --- ANGULAR ± 1/2°		DRAWN BY DATE MSI BARRA 2010/10/19 CHECKED BY DATE WAZ 1984/10/09 APPROVED BY DATE SMILLER 2010/11/24		TITLE	ASSY,SL CONNECTOR SINGLE ROW 2.54/.100 GRID				
		DRAFT WHERE APPLICABLE MUST REMAIN WITHIN DIMENSIONS		SEE TABLE		MATERIAL NO. SDA-70400-0176-0199		MOLEX INCORPORATED			
				SHEET NO. 1 OF 1							