



Chipsmall Limited consists of a professional team with an average of over 10 year of expertise in the distribution of electronic components. Based in Hongkong, we have already established firm and mutual-benefit business relationships with customers from,Europe,America and south Asia,supplying obsolete and hard-to-find components to meet their specific needs.

With the principle of “Quality Parts,Customers Priority,Honest Operation,and Considerate Service”,our business mainly focus on the distribution of electronic components. Line cards we deal with include Microchip,ALPS,ROHM,Xilinx,Pulse,ON,Everlight and Freescale. Main products comprise IC,Modules,Potentiometer,IC Socket,Relay,Connector.Our parts cover such applications as commercial,industrial, and automotives areas.

We are looking forward to setting up business relationship with you and hope to provide you with the best service and solution. Let us make a better world for our industry!



Contact us

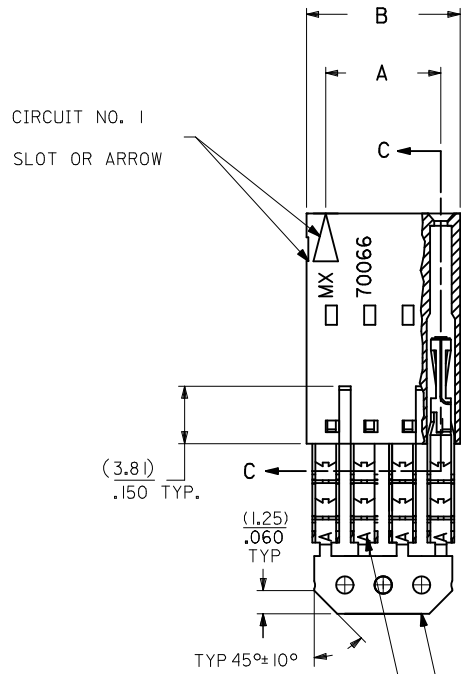
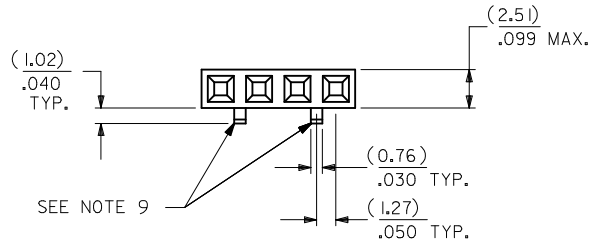
Tel: +86-755-8981 8866 Fax: +86-755-8427 6832

Email & Skype: info@chipsmall.com Web: www.chipsmall.com

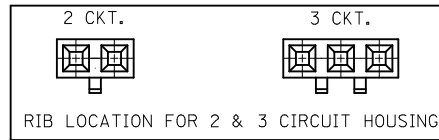
Address: A1208, Overseas Decoration Building, #122 Zhenhua RD., Futian, Shenzhen, China



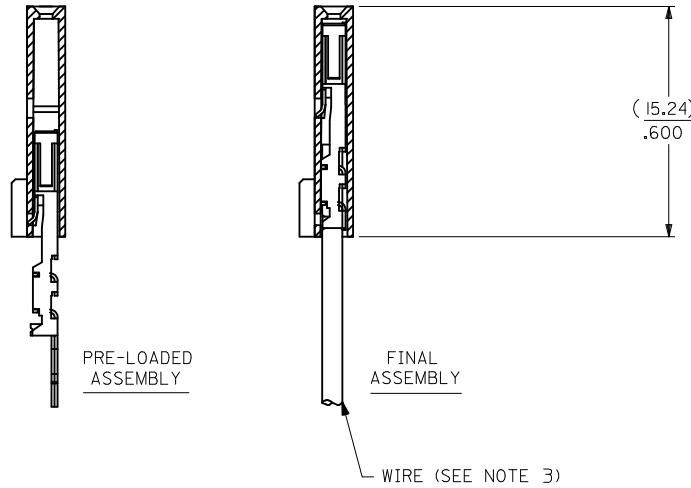
OPTION D



- NOTES:
 1. MATERIAL:
 HOUSING: POLYESTER(PBT), GLASS FILLED, UL94 V-0;
 COLOR: BLACK
 TERMINAL: PHOSPHOR BRONZE
 2. FINISH:
 TIN: 3.81 MICROMETERS/150 MICROINCHES MINIMUM TIN
 OVER NICKEL UNDERPLATE OVERALL
 3. TO BE USED WITH 24 AWG STRANDED WIRE WITH (1.35)/.053
 DIAMETER MAXIMUM INSULATION
 4. SEE TABLE FOR AVAILABLE CIRCUIT SIZES
 5. STANDARD PACKAGING PER PK-70873-0001. OPTIONAL PACKAGING
 MAY BE AVAILABLE, REQUEST DRAWING PK-70400
 6. PARTS STACKABLE END TO END ON (2.54)/.100 CENTERS
 7. PRODUCT SPECIFICATION: PS-70400
 8. SEE DRAWING SDA-70400-**** (SHEET 3) FOR OPTIONAL
 HOUSING DETAILS
 9. 4 CIRCUIT SHOWN. 3-25 CIRCUITS HAVE 2 RIBS
 10. TO MATE WITH MOLEX PART NUMBERS: 70004-**** & 70013-****
 11. 2 CIRCUIT ASSEMBLIES SUPPLIED AS GROUPED PAIRS



SECTION C-C



CKT. SIZE	A	B	EDP. NO.
2	(2.54) .100	(5.05) .199	14-60-0028
3	(5.08) .200	(7.59) .299	14-60-0038
4	(7.62) .300	(10.13) .399	14-60-0048
5	(10.16) .400	(12.67) .499	14-60-0058
6	(12.70) .500	(15.21) .599	14-60-0068
7	(15.24) .600	(17.75) .699	14-60-0078
8	(17.78) .700	(20.29) .799	14-60-0088
9	(20.32) .800	(22.83) .899	14-60-0098
10	(22.86) .900	(25.37) .999	14-60-0108
11	(25.54) 1.000	(27.91) 1.099	14-60-0118
12	(27.94) 1.100	(30.45) 1.199	14-60-0128
13	(30.48) 1.200	(32.99) 1.299	14-60-0138
14	(33.02) 1.300	(35.53) 1.399	14-60-0148
15	(35.56) 1.400	(38.07) 1.499	14-60-0158
16	(38.01) 1.500	(40.61) 1.599	14-60-0168
17	(40.64) 1.600	(43.15) 1.699	14-60-0178
18	(43.18) 1.700	(45.69) 1.799	14-60-0188
19	(45.72) 1.800	(48.23) 1.899	14-60-0198
20	(48.26) 1.900	(50.77) 1.999	14-60-0208
21	(50.80) 2.000	(53.31) 2.099	14-60-0218
22	(53.34) 2.100	(55.85) 2.199	14-60-0228
23	(55.88) 2.200	(58.39) 2.299	14-60-0238
24	(58.42) 2.300	(60.93) 2.399	14-60-0248
25	(60.96) 2.400	(63.47) 2.499	14-60-0258

I.D. SLOT CODE TO WIRE GAUGE CHART	
I.D. SLOT CODE	WIRE GAUGE
A	24 AWG.

PLATING CODE (STRIPE ON CARRIER STRIP)	
PLATING	COLOR
TIN	NONE

REMOVE ENG NO. EC NO: UCP2011-110 DRW:MSIBARRA 2010/10/19 CHK:DJMORGAN 2010/10/19 APPR:SMILLER 2010/11/24	QUALITY SYMBOLS ▽=0 ▽=0 ▽=0	GENERAL TOLERANCES (UNLESS SPECIFIED)		DIMENSION STYLE MM/IN		SCALE	DESIGN UNITS INCH	THIRD ANGLE PROJECTION		
		4 PLACES ± --- ± --- 3 PLACES ± --- ± .010 2 PLACES ± 0.25 ± .014 1 PLACE ± 0.35 ± ---		DRAWN BY DATE MSIBARRA 2010/10/19		TITLE ASSEMBLY, SL CONNECTOR SINGLE ROW 2.54/.100 GRID		MOLEX INCORPORATED		
		ANGULAR ±1/2°		CHECKED BY DATE WAZ 1984/10/09		APPROVED BY DATE SMILLER 2010/11/24				
		DRAFT WHERE APPLICABLE MUST REMAIN WITHIN DIMENSIONS		SEE TABLE		MATERIAL NO. SDA-70400-0071-0094		DOCUMENT NO.		SHEET NO. 1 OF 1