



Chipsmall Limited consists of a professional team with an average of over 10 year of expertise in the distribution of electronic components. Based in Hongkong, we have already established firm and mutual-benefit business relationships with customers from,Europe,America and south Asia,supplying obsolete and hard-to-find components to meet their specific needs.

With the principle of “Quality Parts,Customers Priority,Honest Operation,and Considerate Service”,our business mainly focus on the distribution of electronic components. Line cards we deal with include Microchip,ALPS,ROHM,Xilinx,Pulse,ON,Everlight and Freescale. Main products comprise IC,Modules,Potentiometer,IC Socket,Relay,Connector.Our parts cover such applications as commercial,industrial, and automotives areas.

We are looking forward to setting up business relationship with you and hope to provide you with the best service and solution. Let us make a better world for our industry!



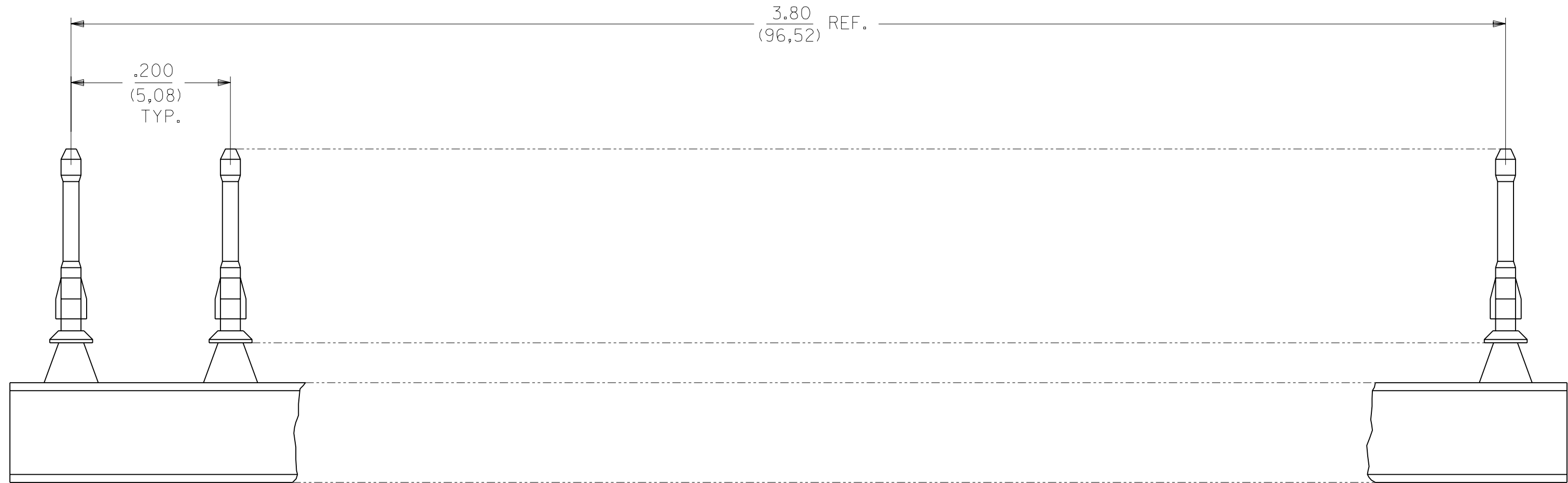
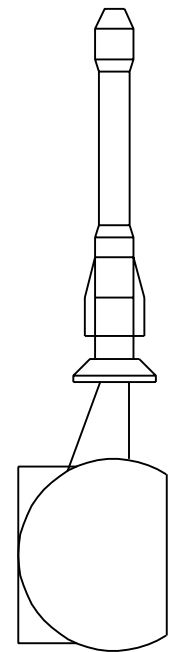
Contact us

Tel: +86-755-8981 8866 Fax: +86-755-8427 6832

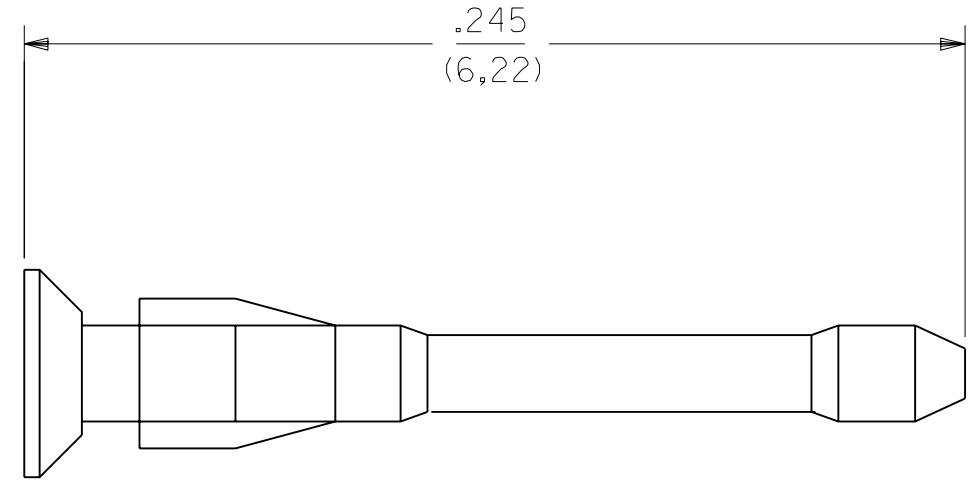
Email & Skype: info@chipsmall.com Web: www.chipsmall.com

Address: A1208, Overseas Decoration Building, #122 Zhenhua RD., Futian, Shenzhen, China

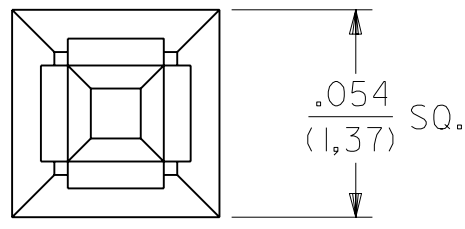




SCALE 8:1



SCALE 20:1



NOTES:

1. MATERIAL: G.F. POLYESTER; UL 94V-0, COLOR: SEE CHART
2. TO BE USED WITH PRODUCT HAVING .032 - .038 SQ. PIN WINDOWS.
3. KEY IS MOLDED AS A 20-PIECE UNIT.
4. PART FUNCTIONS WITH OR WITHOUT PRESENCE OF CONTACT IN HOUSING.

15-04-0293	WHITE
15-04-0292	BLACK
ORDER NO.	COLOR PIN MATERIAL

D	ADD TO CAD ECN UDT2001-0538 SCHAFFER 00/11/17
---	---

DIMENSIONS SHOWN (METRIC) INCH	
UNLESS OTHERWISE SPECIFIED TOLERANCES: ANGULAR ± 1/2°	
	INCH METRIC
3 PLACE	± .005 ---
2 PLACE	± .01 ± 0,13
1 PLACE	--- ± 0,25
DRAFT WHERE APPLICABLE MUST REMAIN WITHIN DIMENSIONS	

▽ = 0	▼ = 0	REVISE ONLY ON CAD SYSTEM	
TITLE		UNIVERSAL POLARIZING PIN	
PART NO.		SHEET NO.	DATE
SEE CHART		1 OF 1	11 / 17 / 00
FILE NAME		DRWG. NO.	SD-40713-***
APP'D. BY: DJB		THIS DRAWING CONTAINS INFORMATION THAT IS PROPRIETARY TO MOLEX INC. AND SHOULD NOT BE USED WITHOUT WRITTEN PERMISSION.	
DD	C	SIZE	C