



Chipsmall Limited consists of a professional team with an average of over 10 year of expertise in the distribution of electronic components. Based in Hongkong, we have already established firm and mutual-benefit business relationships with customers from,Europe,America and south Asia,supplying obsolete and hard-to-find components to meet their specific needs.

With the principle of “Quality Parts,Customers Priority,Honest Operation,and Considerate Service”,our business mainly focus on the distribution of electronic components. Line cards we deal with include Microchip,ALPS,ROHM,Xilinx,Pulse,ON,Everlight and Freescale. Main products comprise IC,Modules,Potentiometer,IC Socket,Relay,Connector.Our parts cover such applications as commercial,industrial, and automotives areas.

We are looking forward to setting up business relationship with you and hope to provide you with the best service and solution. Let us make a better world for our industry!



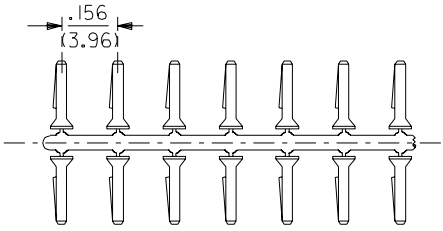
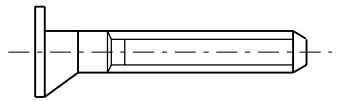
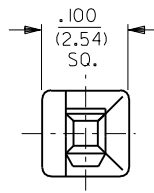
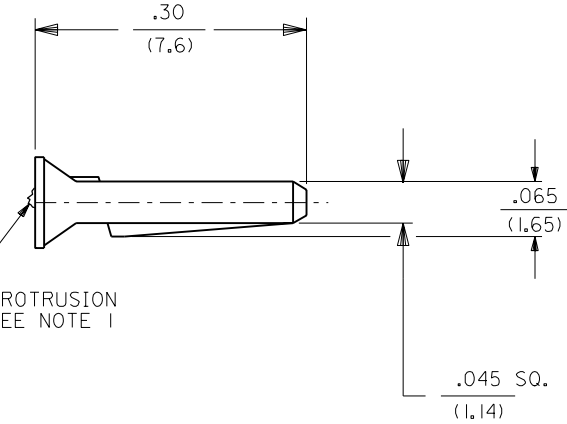
Contact us

Tel: +86-755-8981 8866 Fax: +86-755-8427 6832

Email & Skype: info@chipsmall.com Web: www.chipsmall.com

Address: A1208, Overseas Decoration Building, #122 Zhenhua RD., Futian, Shenzhen, China





CHAIN FORM

NOTES:

1. APPROXIMATELY AN .020 PROTRUSION IS LEFT WHEN THE KEY IS BROKEN OFF OF THE CHAIN
2. MATERIAL: NYLON 6/6, U.L. 94V-2
3. KEYS WILL BE SUPPLIED IN CHAIN FORM
4. PARTS ARE BULK PACKED PER PK-42324-001

ENG. NO.	EDP NO.
42324-A	15-04-0297

MFG.	SH.	REV.	LTR.	REVISIONS

BI ADD PACK NOTE
UCR1999-0224
11-4-98 SAMIEC

DIMENSIONS SHOWN (METRIC) INCH		▽ =	▼ =	REVISE ONLY ON CAD SYSTEM													
UNLESS OTHERWISE SPECIFIED TOLERANCES: ANGULAR ± 1/2°		TITLE															
<table border="1"> <thead> <tr> <th></th> <th>INCH</th> <th>METRIC</th> </tr> </thead> <tbody> <tr> <td>3 PLACE</td> <td>±</td> <td>---</td> </tr> <tr> <td>2 PLACE</td> <td>±</td> <td>±</td> </tr> <tr> <td>1 PLACE</td> <td>---</td> <td>±</td> </tr> </tbody> </table>			INCH	METRIC	3 PLACE	±	---	2 PLACE	±	±	1 PLACE	---	±	POLARIZING KEY, PEG FOR 41695 & 41815 .156 @ SPACING			
	INCH	METRIC															
3 PLACE	±	---															
2 PLACE	±	±															
1 PLACE	---	±															
DRAFT WHERE APPLICABLE MUST REMAIN WITHIN DIMENSIONS		PART NO.		DATE													
		SEE CHART		1 OF 1 5/24/88													
DRWG. BY JJS		CHK'D. BY PATEL		DRWG. NO.													
APP'D. BY LENZ		SCALE :		SD-42324													
		FILE NAME		THIS DRAWING CONTAINS INFORMATION THAT IS PROPRIETARY TO MOLEX INC. AND SHOULD NOT BE USED WITHOUT WRITTEN PERMISSION													
				DIV. KK													
				SIZE B													