



Chipsmall Limited consists of a professional team with an average of over 10 year of expertise in the distribution of electronic components. Based in Hongkong, we have already established firm and mutual-benefit business relationships with customers from,Europe,America and south Asia,supplying obsolete and hard-to-find components to meet their specific needs.

With the principle of "Quality Parts,Customers Priority,Honest Operation,and Considerate Service",our business mainly focus on the distribution of electronic components. Line cards we deal with include Microchip,ALPS,ROHM,Xilinx,Pulse,ON,Everlight and Freescale. Main products comprise IC,Modules,Potentiometer,IC Socket,Relay,Connector.Our parts cover such applications as commercial,industrial, and automotives areas.

We are looking forward to setting up business relationship with you and hope to provide you with the best service and solution. Let us make a better world for our industry!



Contact us

Tel: +86-755-8981 8866 Fax: +86-755-8427 6832

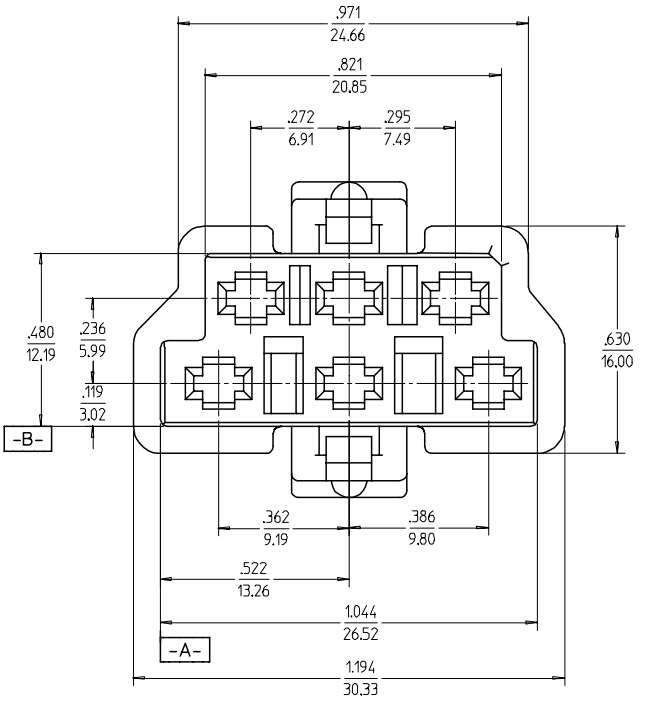
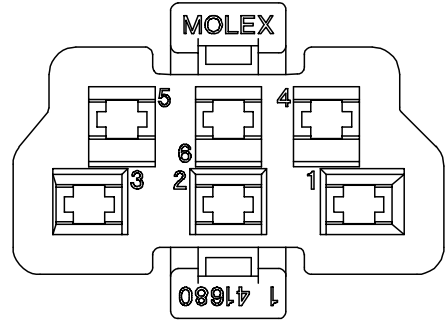
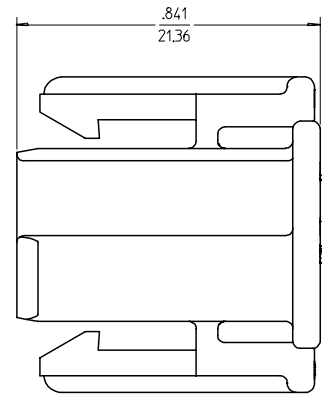
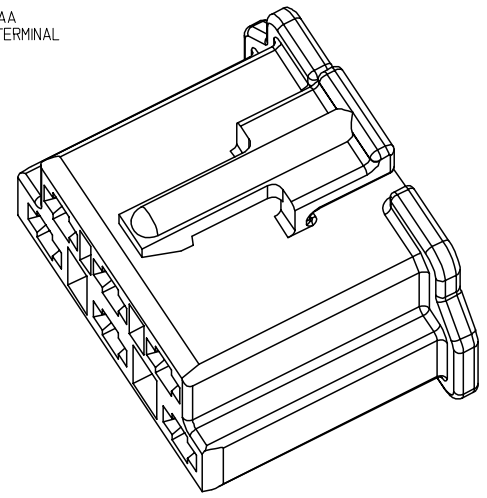
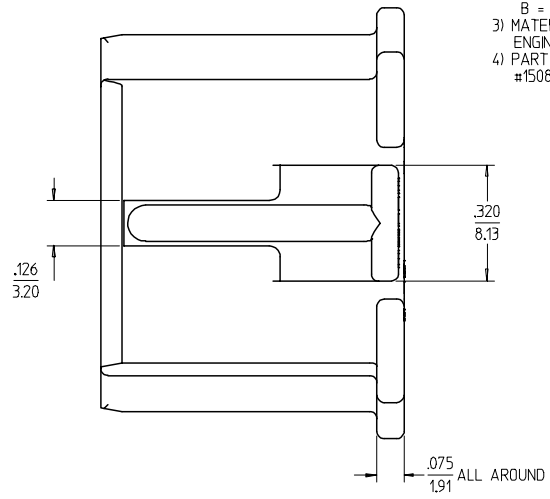
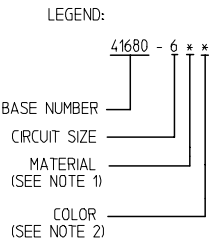
Email & Skype: info@chipsmall.com Web: www.chipsmall.com

Address: A1208, Overseas Decoration Building, #122 Zhenhua RD., Futian, Shenzhen, China



PART NUMBER	ENG. NUMBER	MATERIAL (SEE NOTE 1)	FINISH (SEE NOTE 2)
15-04-0802	41680-6AA	A	A
NOT TOOLED	41680-6AB	A	B
NOT TOOLED	41680-6BA	B	A
NOT TOOLED	41680-6BB	B	B

- NOTES:
- MATERIAL:
A = PA66, UL 94V-2, COLOR-TRANSLUCENT WHITE
B = PA66, UL 94V-0, COLOR-OPAQUE WHITE
 - FINISH:
A = NATURAL COLOR
B = BLUE (DYED)
 - MATERIAL NUMBER = 015040802
ENGINEERING NUMBER = 41680-6AA
 - PART IS FOR USE WITH MOLEX TERMINAL #1508-5 AND 1508-6.



REDRAWN/ADD FLANGE EC NO: WCP2003-06885 DRWN:MKAMARA003/02/26 CHKD:MKAMARA003/02/26 APPR:BWIRKUS 2003/02/27	QUALITY SYMBOLS	GENERAL TOLERANCES (UNLESS SPECIFIED)	SCALE 4:1	DESIGN UNITS INCH	THIRD ANGLE PROJECTION	REVISE ON CAD ONLY															
	▽ .0 ◻ .0	<table border="1"> <thead> <tr> <th></th> <th>mm</th> <th>INCH</th> </tr> </thead> <tbody> <tr> <td>4 PLACES</td> <td>± ---</td> <td>± ---</td> </tr> <tr> <td>3 PLACES</td> <td>± ---</td> <td>± .010</td> </tr> <tr> <td>2 PLACES</td> <td>± 0.25</td> <td>± .015</td> </tr> <tr> <td>1 PLACE</td> <td>± 0.38</td> <td>± ---</td> </tr> </tbody> </table>		mm	INCH	4 PLACES	± ---	± ---	3 PLACES	± ---	± .010	2 PLACES	± 0.25	± .015	1 PLACE	± 0.38	± ---	DIMENSION STYLE IN/MM DRAWN BY RJF DATE 8/22/88 CHECKED BY JTR DATE 8/22/88	TITLE	TEMPERATURE SWITCH CONNECTOR HOUSING	
		mm	INCH																		
	4 PLACES	± ---	± ---																		
3 PLACES	± ---	± .010																			
2 PLACES	± 0.25	± .015																			
1 PLACE	± 0.38	± ---																			
DRAFT WHERE APPLICABLE		APPROVED BY RAS DATE 8/22/88	MATERIAL NO. SEE CHART		DOCUMENT NO. SD-41680-6**	SHEET NO. 1 OF 1															
MUST REMAIN WITHIN DIMENSIONS		THIS DRAWING CONTAINS INFORMATION THAT IS PROPRIETARY TO MOLEX INCORPORATED AND SHOULD NOT BE USED WITHOUT WRITTEN PERMISSION																			